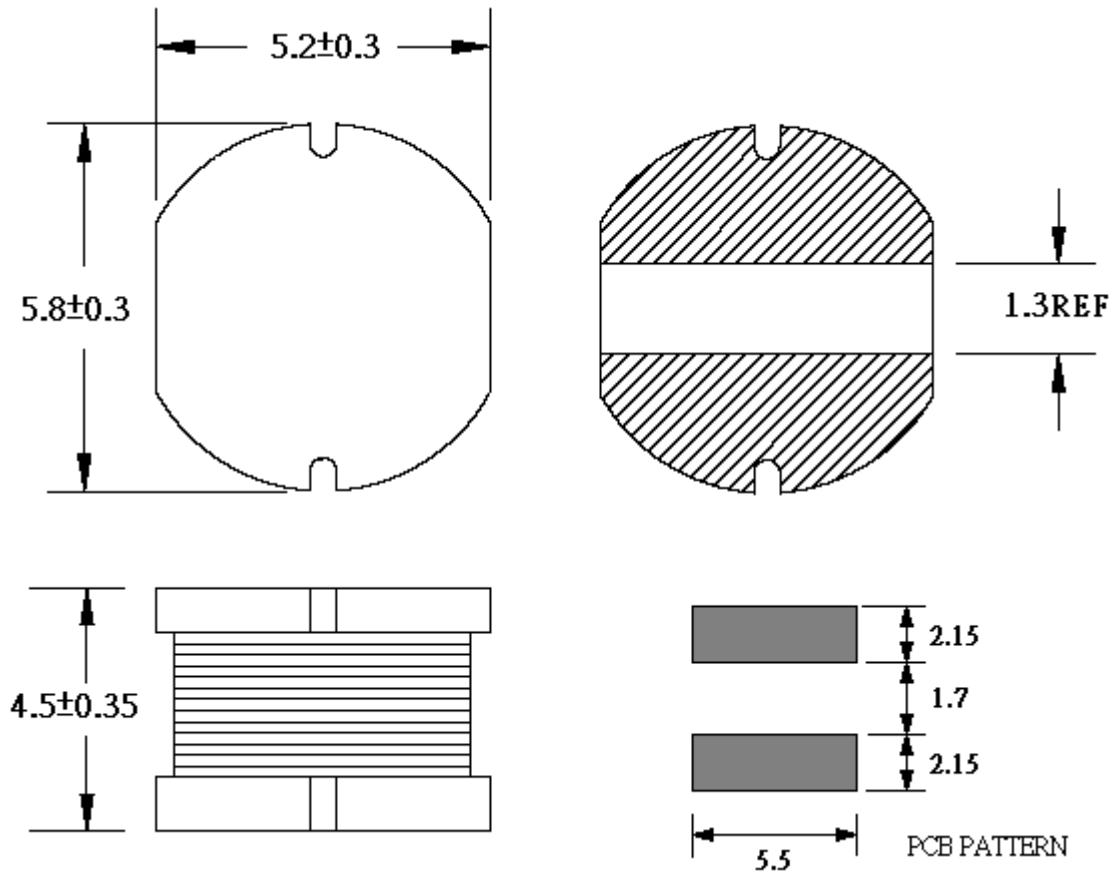


## TCK-045



All dimensions in mm

### SPECIFICATIONS

Inductance	$56 \mu\text{H} \pm 20\%$
	Test Condition: 1KHz/1000mV Measurement Instrument: HP 4263B LCR Meter
Impedance	DCR(Max): $400 \text{ m}\Omega$
	Measurement Instrument: Agilent 34401A Meter
Rated current	IDC(Max): 0.7A
	Measurement Instrument: Agilent 34401A Meter