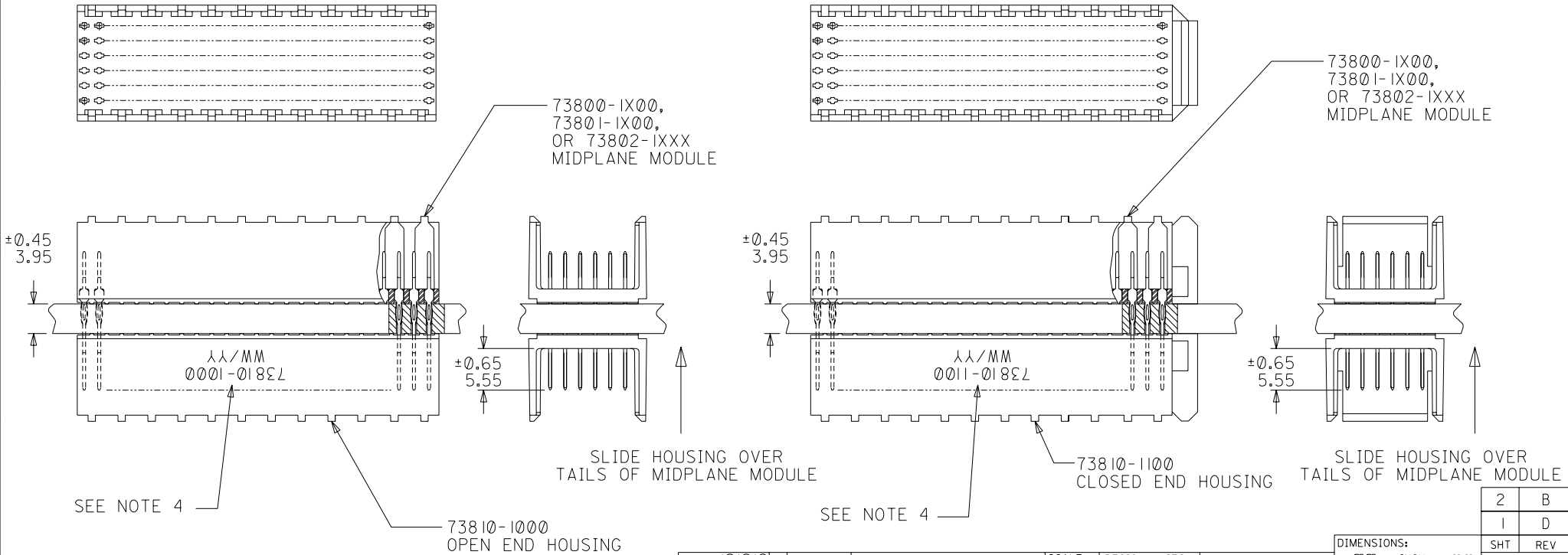


NOTES:

1. HOUSING MATERIALS: LIQUID CRYSTAL POLYMER (LCP), GLASS-FILLED, UL94V-0, COLOR: BLACK.
2. THIS PART CONFORMS TO MOLEX PRODUCT SPECIFICATION PS-73670-9999.
3. SEE DRAWINGS SD-73800-001, SD-73801-001, AND SD-73802-001 FOR DIMENSIONAL INFORMATION.
4. PARTS MARKED WITH PART NUMBER AND DATE CODE, ON EITHER SIDE, APPROXIMATELY WHERE SHOWN.
5. PARTS PACKAGED PER PK-70873-0818.



| | | | | | | | | | | |
|---|---|---|--|---|--|-----------------------------|--|-----------|----------|----------|
| REVISED EC NO. LCP2003-2260 DRWN: THOMAS 03/04/25 CHK: BINGHAM 03/04/25 APPR: REED 03/04/25 | DESCRIPTION MAJOR CRITICAL C=0 | GENERAL TOLERANCES: (UNLESS SPECIFIED) | | SCALE 2 : 1 | DESIGN UNITS <input checked="" type="checkbox"/> mm <input type="checkbox"/> INCH | THIRD ANGLE PROJECTION | DIMENSIONS: <input type="checkbox"/> mm <input type="checkbox"/> INCH <input checked="" type="checkbox"/> mm ONLY | | SHT 2 | REV B |
| | | 4 PLACES ±0. ±. | DRAWN BY & DATE JBINGHAM 97/06/19 | TITLE: SALES ASSEMBLY, HDM DOUBLE-END MIDPLANE, 144 POS. SLIDE-ON HOUSING | | | | | | |
| | | 3 PLACES ±0. ±. | CHECKED BY & DATE SREED 97/06/19 | MOLEX INCORPORATED | | | | | | |
| | | 2 PLACES ±0.05 ±. | APPROVED BY & DATE CBIXLER 97/06/19 | CAD FILENAME S73810X1.DGN | MATERIAL NO. SEE CHART | DRAWING NO. SD-73810-001 | SHEET NO. 1 OF 2 | | | |
| 1 PLACE ±0.10 ±. | ANGLAR: ± 1/2° | DRAFT WHERE APPLICABLE MUST REMAIN WITHIN DIMENSIONS | | THIS DRAWING CONTAINS INFORMATION THAT IS PROPRIETARY TO MOLEX INCORPORATED AND SHOULD NOT BE USED WITHOUT WRITTEN PERMISSION. | | | | SIZE B | | |

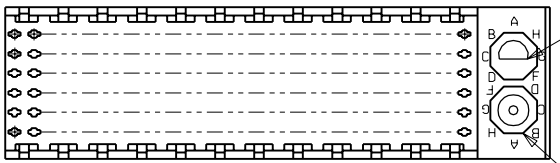
MATERIAL NUMBER ASSIGNMENT

73810- * * * *

1 = 144-CIRCUIT

0 = OPEN END VERSION
 1 = CLOSED END VERSION
 2 = POLAR/GUIDE VERSION

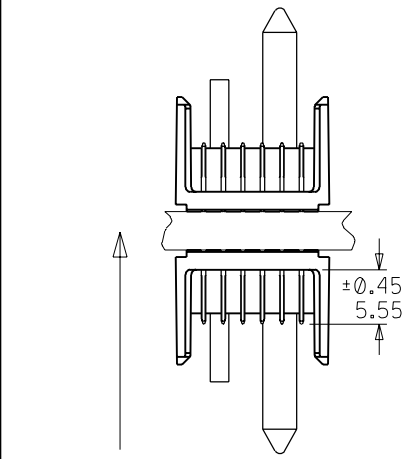
73800-1X00,
 73801-1X00,
 OR 73802-1XXX
 MIDPLANE MODULE



LOCATION B

LOCATION A

| NUMBER | GUIDE POST LOCATION | POLAR KEY POSITION |
|--------|---------------------|--------------------|
| 00 | N/A | N/A |
| 01 | B | A |
| 02 | A | A |
| 03 | B | B |
| 04 | A | B |
| 05 | B | C |
| 06 | A | C |
| 07 | B | D |
| 08 | A | D |
| 09 | B | E |
| 10 | A | E |
| 11 | B | F |
| 12 | A | F |
| 13 | B | G |
| 14 | A | G |
| 15 | B | H |
| 16 | A | H |
| 17 | B | N/A |
| 18 | A | N/A |



SLIDE HOUSING OVER
 TAILS OF MIDPLANE MODULE

±0.65
 3.95

±0.45
 5.55

SEE NOTE 5

73810-12XX
 POLAR/GUIDE HOUSING

| | | | | | |
|--|---|--|---|--|---------------------------------|
| SEE SHEET 1 EC NO. UDT2000-0443 DRWN:JBINGHAM 99/11/04 CHK: SREED 99/11/04 APPR:CBIXLER 99/11/04 | QUALITY SYMBOLS MAJOR CRITICAL | GENERAL TOLERANCES: (UNLESS SPECIFIED) | SCALE 2 : 1 DESIGN UNITS <input checked="" type="checkbox"/> mm <input type="checkbox"/> INCH | DIMENSIONS: <input type="checkbox"/> mm <input type="checkbox"/> INCH <input checked="" type="checkbox"/> mm ONLY | SHT REV REVISION ON CAD ONLY |
| | DESCRIPTION MAJOR CRITICAL | 4 PLACES ±0. ±. 3 PLACES ±0. ±. 2 PLACES ±0.05 ±. 1 PLACE ±0.10 ±. ANGULAR: ± 1/2° | DRAWN BY & DATE JBINGHAM 97/06/19 CHECKED BY & DATE SREED 97/06/19 APPROVED BY & DATE CBIXLER 97/06/19 | TITLE: SALES ASSEMBLY, HDM DOUBLE-END MIDPLANE, 144 POS. SLIDE-ON HOUSING | MOLEX INCORPORATED |
| REV B | DRAFT WHERE APPLICABLE MUST REMAIN WITHIN DIMENSIONS | CAD FILENAME S73810X2.DGN | THIS DRAWING CONTAINS INFORMATION THAT IS PROPRIETARY TO MOLEX INCORPORATED AND SHOULD NOT BE USED WITHOUT WRITTEN PERMISSION. | SIZE B | |