

4

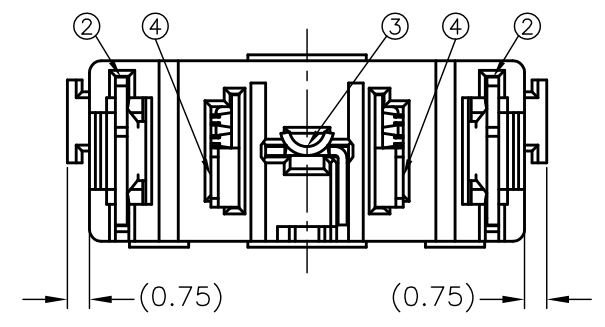
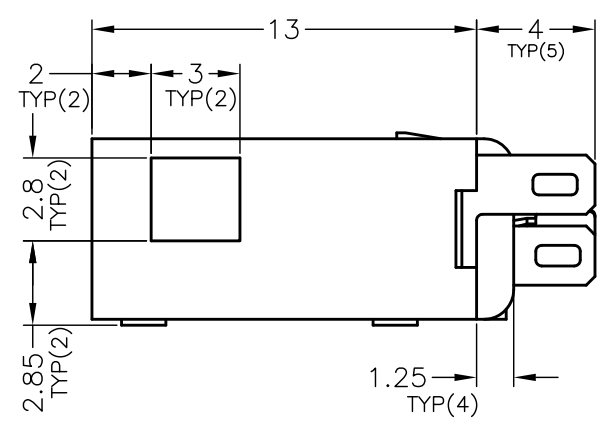
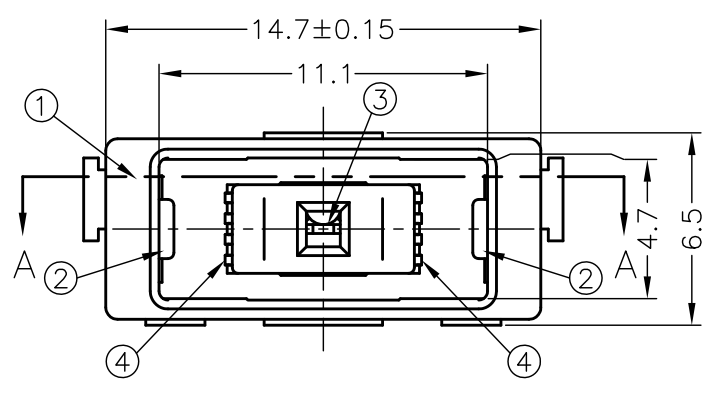
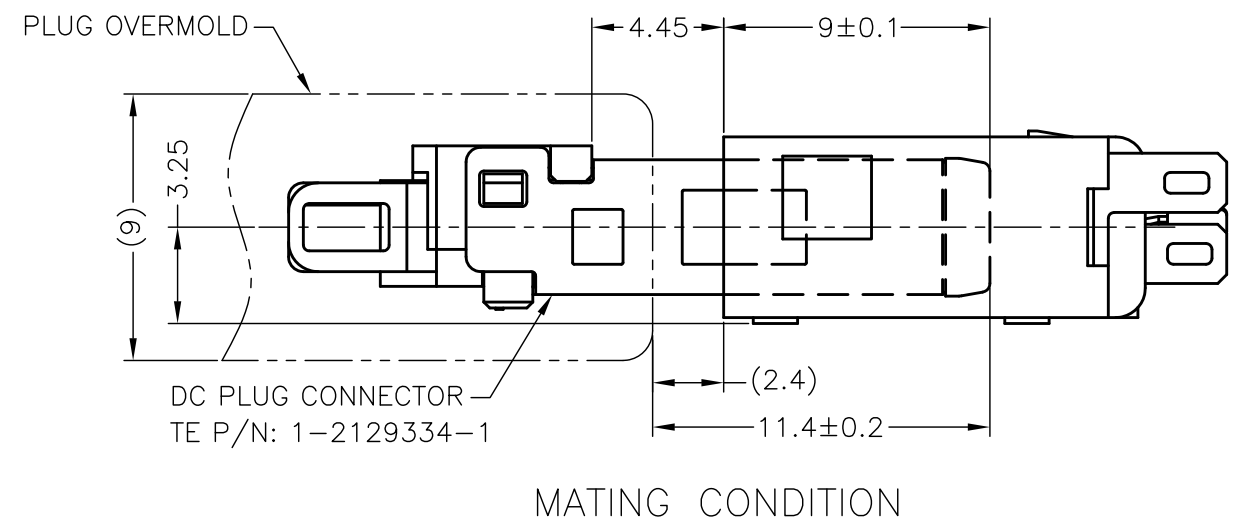
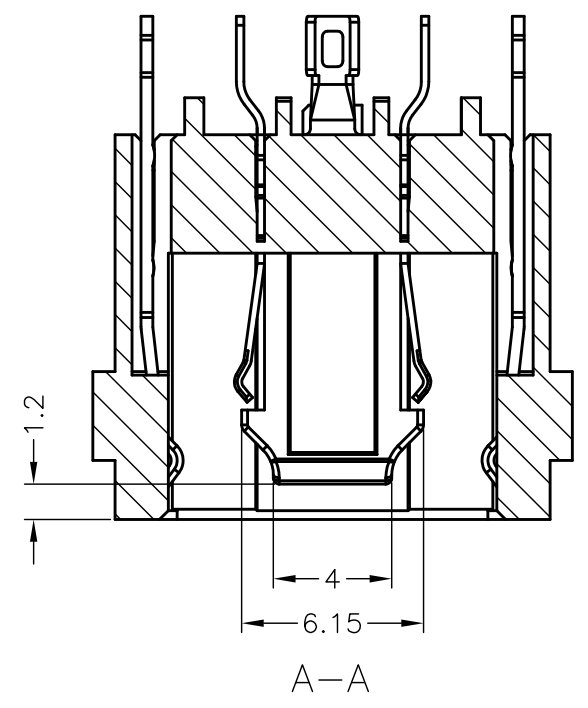
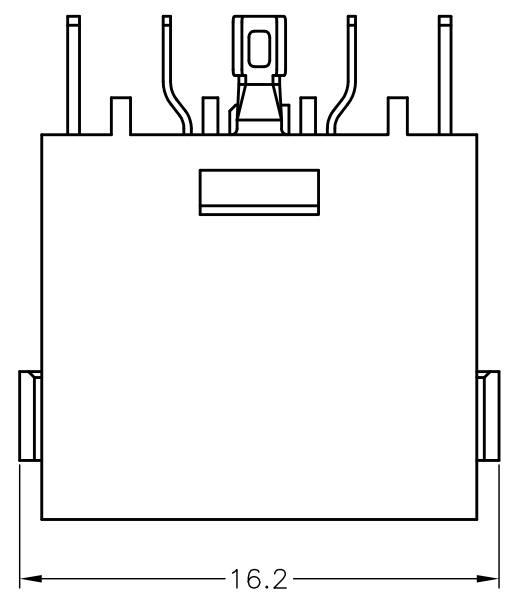
3

2

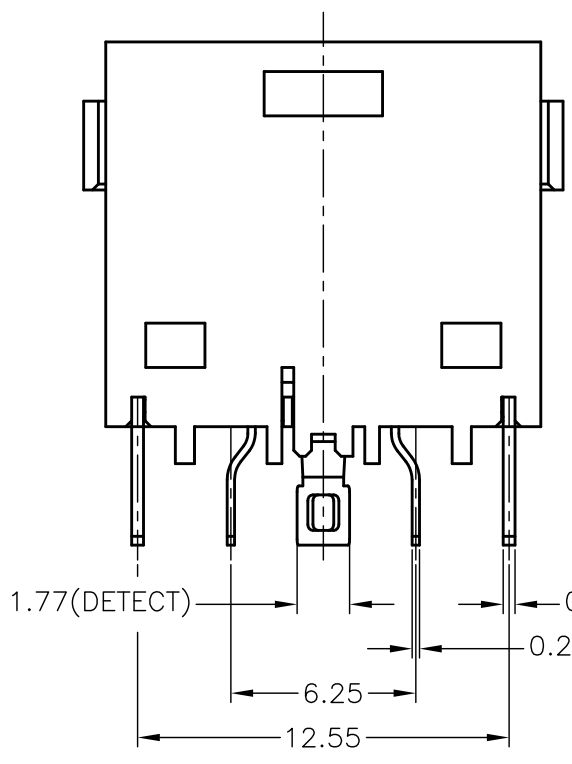
1

THIS DRAWING IS UNPUBLISHED. RELEASED FOR PUBLICATION
 © COPYRIGHT - By - ALL RIGHTS RESERVED.

LOC	DIST	REVISIONS			
P	LTR	DESCRIPTION	DATE	DWN	APVD
DW	/	B4	REVISED (ECR-13-009702)	14MAR13	S.H V.P



A'SSY	P/N	Q'TY	FINISH/COLOR	MATERIAL	PART NAME	NO.
1-2129333-2	1-2129333-1	2	0.002mm GOLD PLATING ON CONTACT AREA, 0.002mm MATTE TIN PLATING ON SOLDER AREA, 0.002mm MIN. NICKEL UNDERPLATED ALL OVER	COPPER ALLOY	POWER CONTACT	④
1	1	1	0.002mm GOLD PLATING ON CONTACT AREA, 0.002mm MATTE TIN PLATING ON SOLDER AREA, 0.002mm MIN. NICKEL UNDERPLATED ALL OVER	COPPER ALLOY	DETECT CONTACT	③
2	2	2	0.002mm GOLD PLATING ON CONTACT AREA, 0.002mm MATTE TIN PLATING ON SOLDER AREA, 0.002mm MIN. NICKEL UNDERPLATED ALL OVER	COPPER ALLOY	GROUND CONTACT	②
1			BLACK	HIGH TEMPERATURE THERMO-PLASTIC (UL94V-0)	HOUSING	①
	1	1	YELLOW		HOUSING	①



THIS DRAWING IS A CONTROLLED DOCUMENT.

DIMENSIONS: mm	TOLERANCES UNLESS OTHERWISE SPECIFIED:
	0 PLC ±
	1 PLC ±
	2 PLC ± ±0.25
	3 PLC ± ±3°
	4 PLC ±
	ANGLES ±
MATERIAL: SEE TABLE	FINISH:

DWN: S.HUANG 24FEB2012	CHK: V.PENG 24FEB2012
APVD: W.KODAMA 24FEB2012	PRODUCT SPEC: 108-99035
APPLICATION SPEC: 501-99040	WEIGHT:
CUSTOMER DRAWING	

STE TE Connectivity

NAME: DC POWER JACK CONNECTOR CABLE TYPE

SIZE: A3	CAGE CODE: 00779	DRAWING NO: 2129333	RESTRICTED TO:
SCALE: 4:1	SHEET: 1 of 2	REV: B4	

4

3

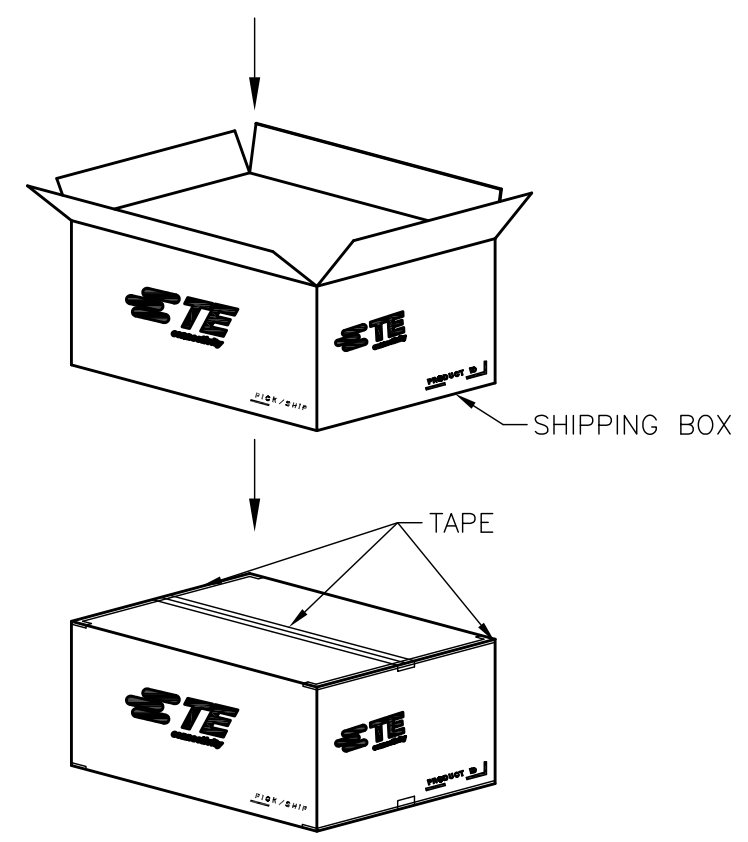
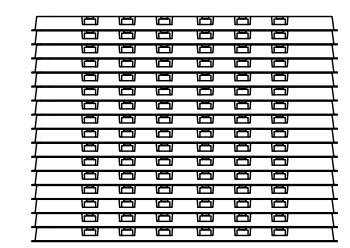
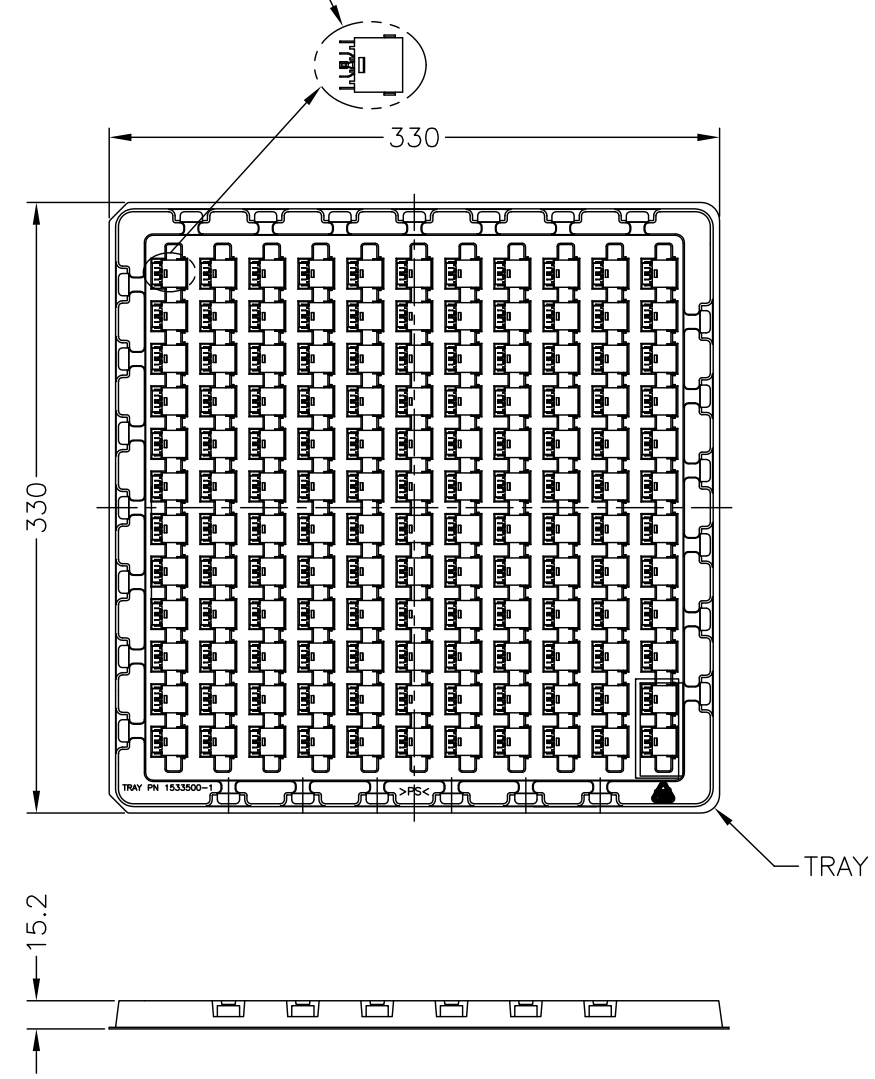
2

1

THIS DRAWING IS UNPUBLISHED. RELEASED FOR PUBLICATION
 © COPYRIGHT - By - ALL RIGHTS RESERVED.

LOC	DIST	REVISIONS				
P	LTR	DESCRIPTION	DATE	DWN	APVD	
DW	/	SEE SHEET 1	-	-	-	

DC POWER JACK CONNECTOR
 TE P/N: 1-2129333-1/-2



- EU ROHS-RELATED RESTRICTED SUBSTANCE SPEC IN HOMOGENEOUS MATERIAL REFER TO TEC-138-702 REV.G:
 LEAD < 1000PPM, CADMIUM < 100PPM, MERCURY < 1000PPM
 CHROMIUM VI < 1000PPM, PBB <1000PPM, PBDE < 1000PPM
- HALOGEN FREE SPEC:
 CHLORINE (Cl): 900 ppm MAX.
 BROMINE (Br): 900 ppm MAX.
 CHLORINE (Cl) + BROMINE (Br): 1500 ppm MAX.
- SHIPPING BOX DIMENSION: 445mmX445mmX270mm

132	25	3300
PCS/TRAY	TRAY/SHIPPING BOX	TOTAL Q'TY

THIS DRAWING IS A CONTROLLED DOCUMENT.		DWN	STE TE Connectivity			
DIMENSIONS: mm		CHK				
TOLERANCES UNLESS OTHERWISE SPECIFIED:		APVD	NAME DC POWER JACK CONNECTOR CABLE TYPE			
0-PLC ± -		PRODUCT SPEC	SIZE	CAGE CODE	DRAWING NO	RESTRICTED TO
1-PLC ± -		APPLICATION SPEC	A3	00779	2129333	
2-PLC ± - ±0.25		WEIGHT	CUSTOMER DRAWING			SCALE
3-PLC ± - ±3°			NA			SHEET
4-PLC ± -			2 OF 2			REV
ANGLES ± -			B4			
MATERIAL						
FINISH						