

MATERIALS AND FINISHES

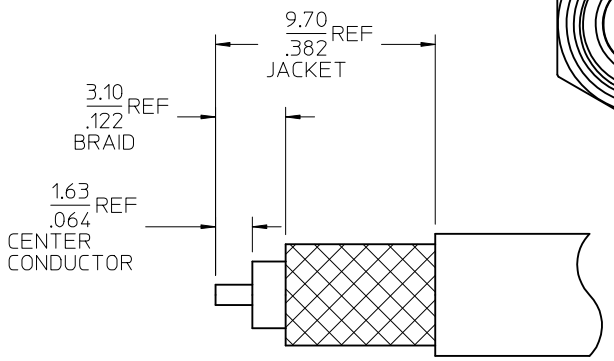
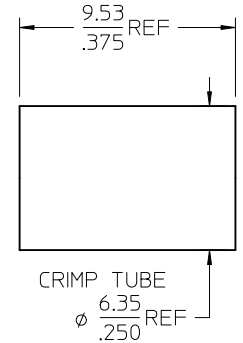
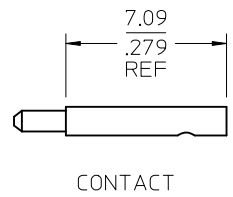
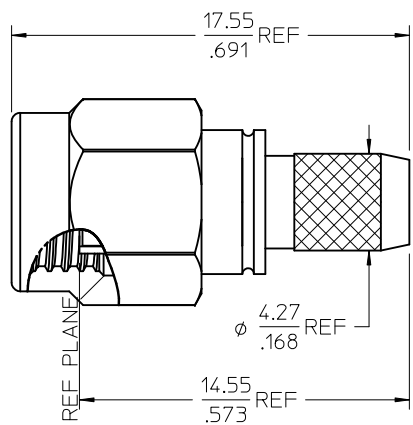
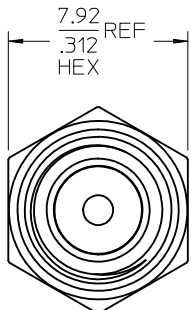
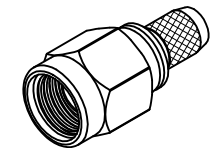
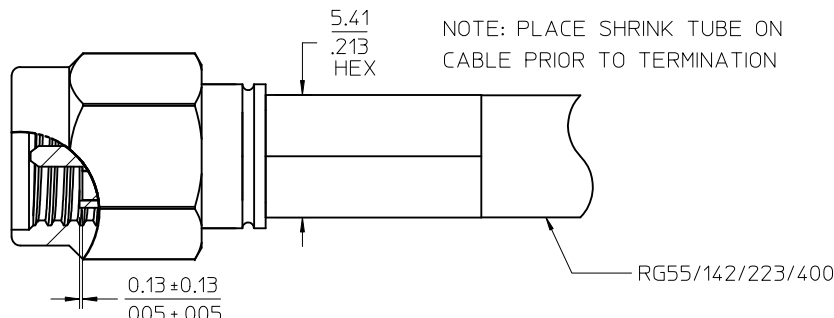
BODY AND COUPLUNG NUT STAINLESS STEEL  
PASSIVATED

CENTER CONTACT BRASS  
PLATED GOLD

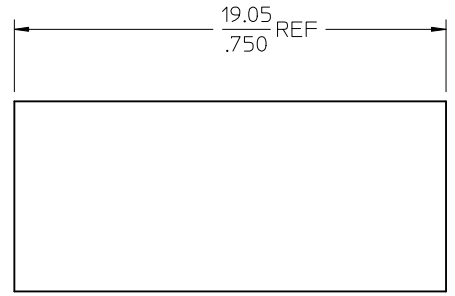
INSULATOR TEFLON

CRIMP TUBE BRASS  
PLATED NICKEL

SHRINK TUBE VERSIFIT OR EQUIVALENT



RECOMMENDED STRIP DIMENSIONS



LABEL FORMAT FOR  
73251-0112

PART NUMBER: 73251-0111  
ORDER NUMBER: 73251-0112  
MOLEX  
DATE: YYWW

73251-0112	ONE PIECE 73251-0111 PER BAG
73251-0111	BULK
PART NO.	PACKAGING

ES-89675-1570	CABLE ASSY INSTRUCT.
MIL-STD-348A, FIG. 310.1	INTERFACE
SPECIFICATION	DESCRIPTION

CHG: UPDATE LABEL FOR -0112 EC NO: URF2012-0380 DRWN: BOMALLEY 2012/01/04 CHKD: AZR 2012/01/04 APPR: WIENER 2012/01/04	QUALITY SYMBOLS ▽=0 ▽=0	GENERAL TOLERANCES (UNLESS SPECIFIED) mm INCH 4 PLACES ± --- ± --- 3 PLACES ± --- ± --- 2 PLACES ± --- ± --- 1 PLACE ± --- ± --- ANGULAR ± 2 °	DIMENSION STYLE MM/IN	SCALE DESIGN UNITS METRIC	THIRD ANGLE PROJECTION	DRAWN BY GMH DATE 1997/11/07	CHECKED BY DHG DATE 1998/01/05	APPROVED BY GMH DATE 1997/01/06	TITLE SMA PLUG, STR, CRIMP TYPE FOR RG55/142/223/400 SMA-PC	MATERIAL NO. SEE TABLE	DOCUMENT NO. SD-73251-011	SHEET NO. 1 OF 1