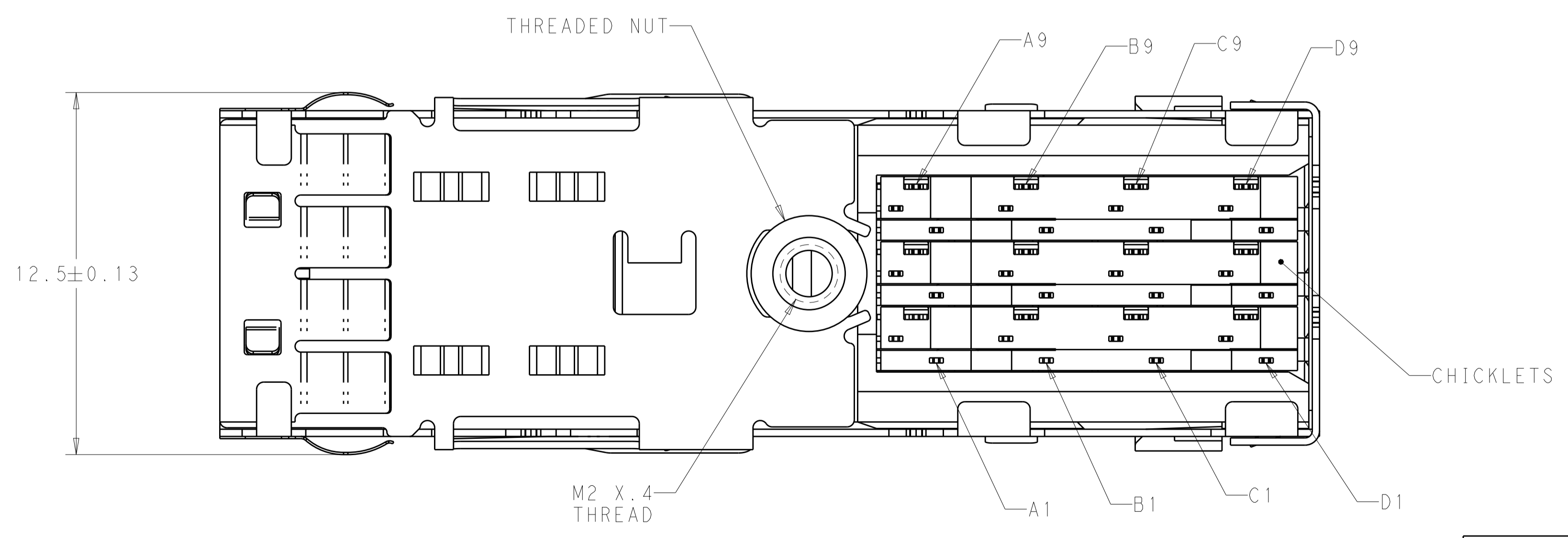
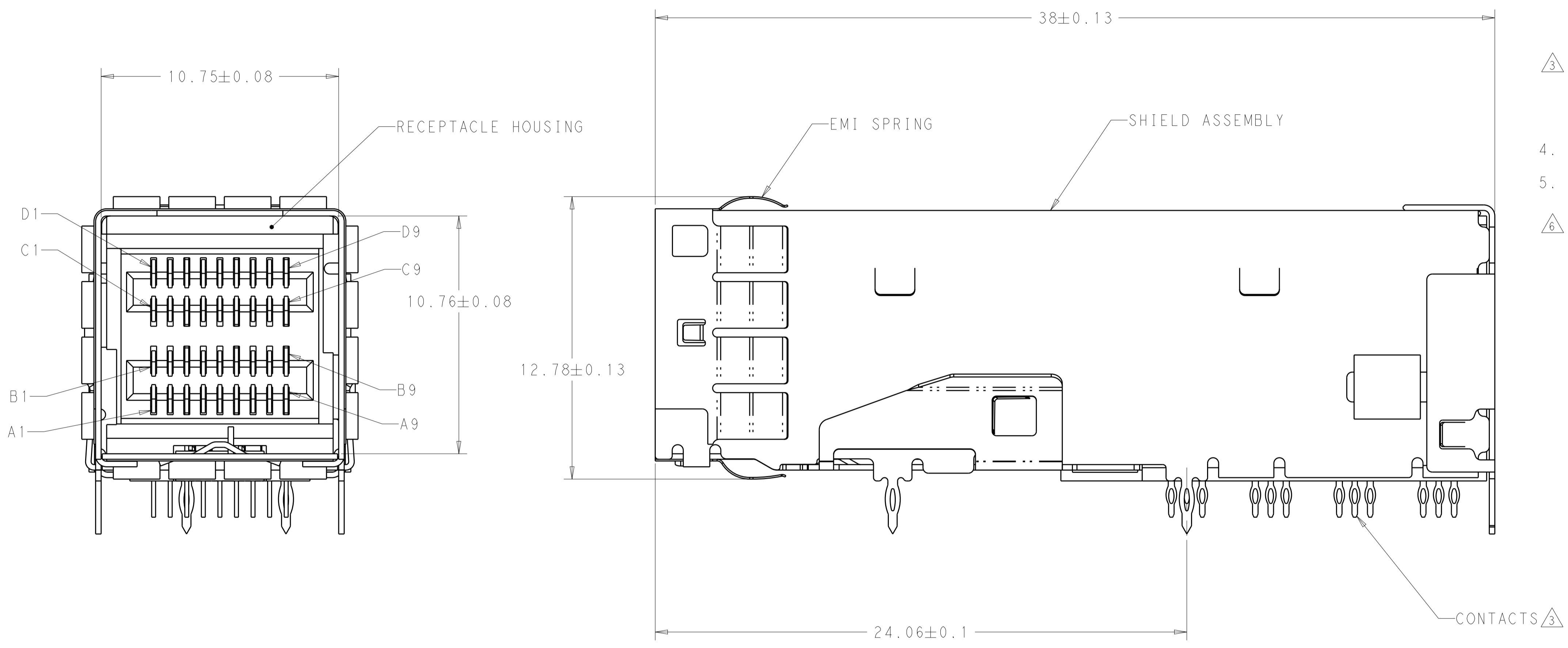


LOC		DIST		REVISIONS			
P	LTN	DESCRIPTION	DATE	DMN	APVD		
11		REVISED	09NOV2012	MEC	JS		
12		REVISED	21DEC2012	MEC	JS		

1. MATERIALS
 RECEPTACLE HOUSING, LCP, BLACK, UL94V-O RATED
 SHIELD ASSEMBLY: NICKEL SILVER COPPER ALLOY
 CONTACTS: COPPER ALLOY
 EMI SPRING: COPPER ALLOY
 THREADED NUT: BRASS
 CHICKLETS: LCP, BLACK, UL 94V-O RATED
2. FINISH
 EMI SPRING: TIN PLATE OVER NICKEL PLATE
 NON-PLATED EDGES PERMISSABLE
 THREADED NUT: NICKEL PLATE
3. CONTACT FINISH: CONFORMS TO THE REQUIREMENTS OF TE PRODUCT SPECIFICATION, 108-2462. BASED ON EIA/ECA-364-1000.01A. (CONTROLLED ENVIRONMENT APPLICATIONS) ON MATING END. TIN PLATED ON PCB TAIL
4. THREAD LENGTH OF FASTENER = PCB THICKNESS + 1.45 MAX
5. THIS PRODUCT HAS NOT COMPLETED VALIDATION/QUALIFICATION TESTING
6. RECOMMENDED TRACE KEEP OUT ZONE

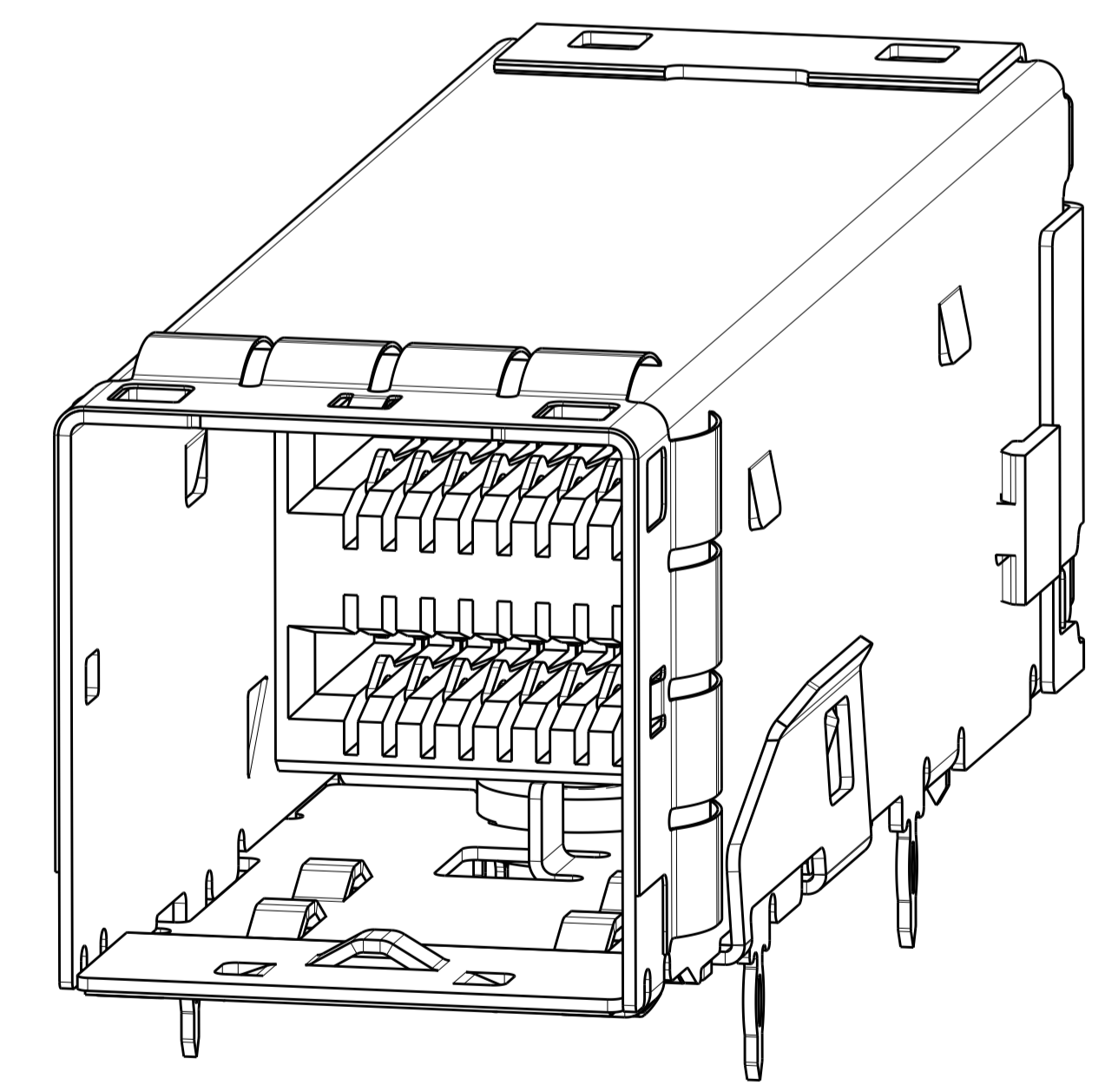
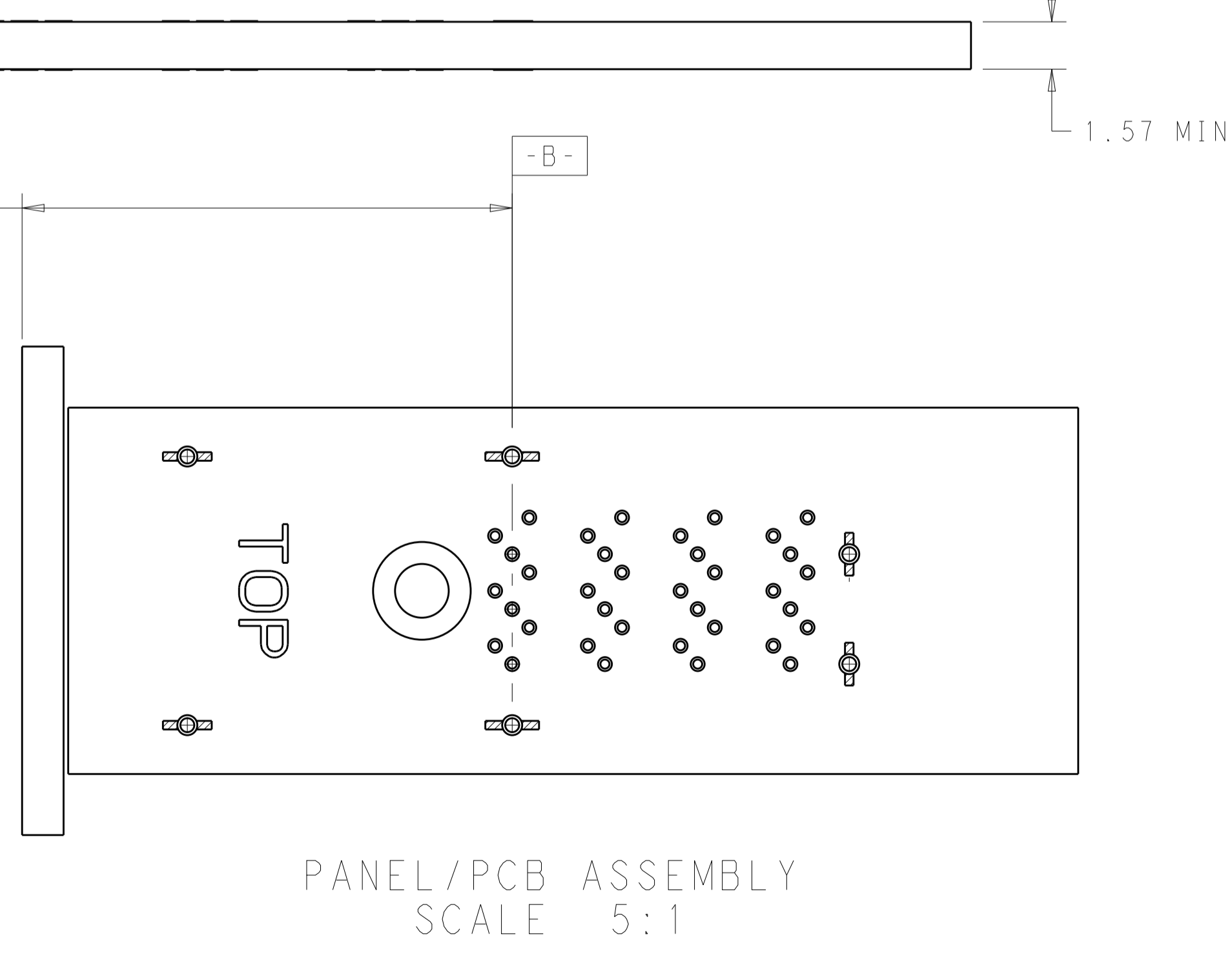
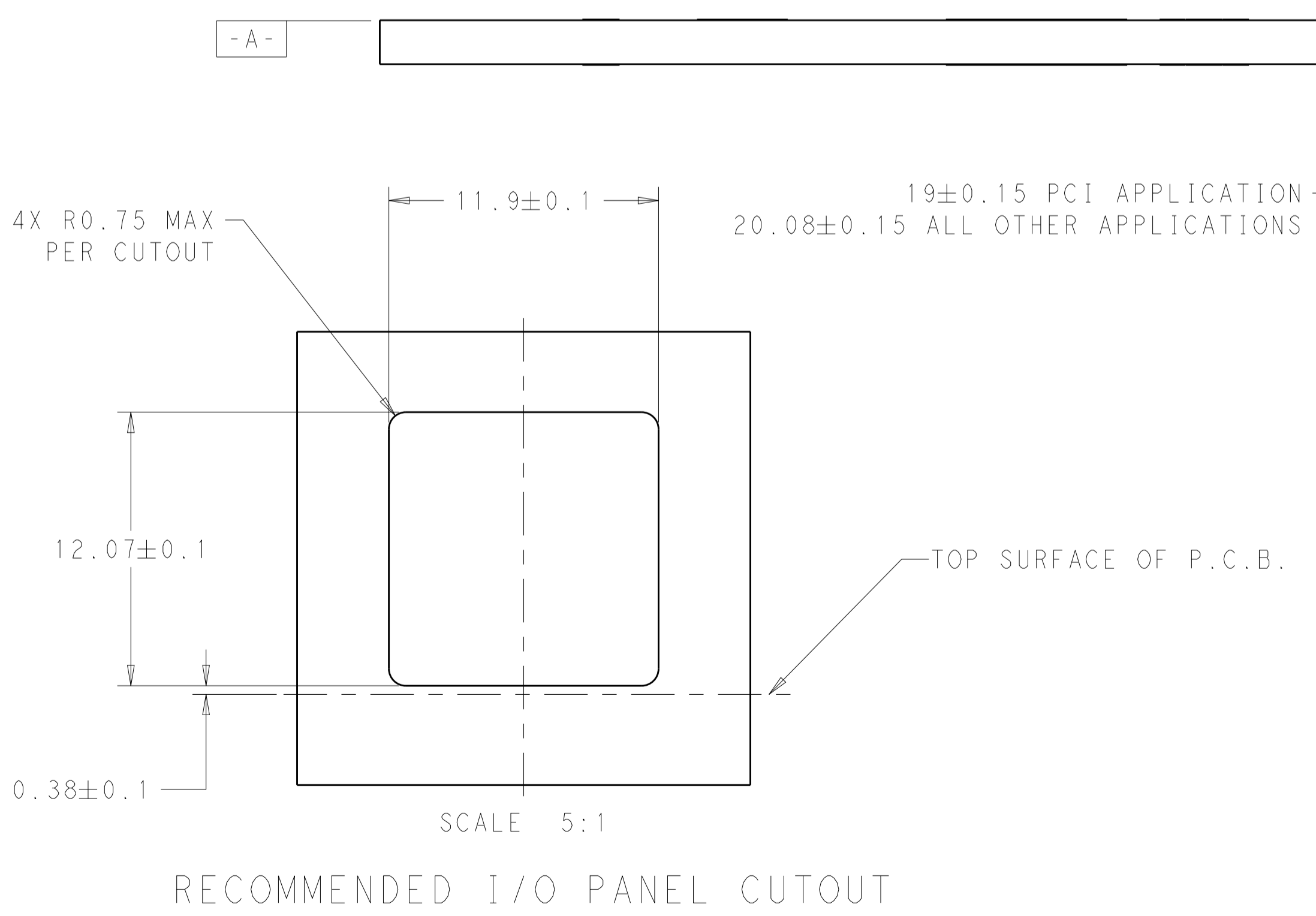
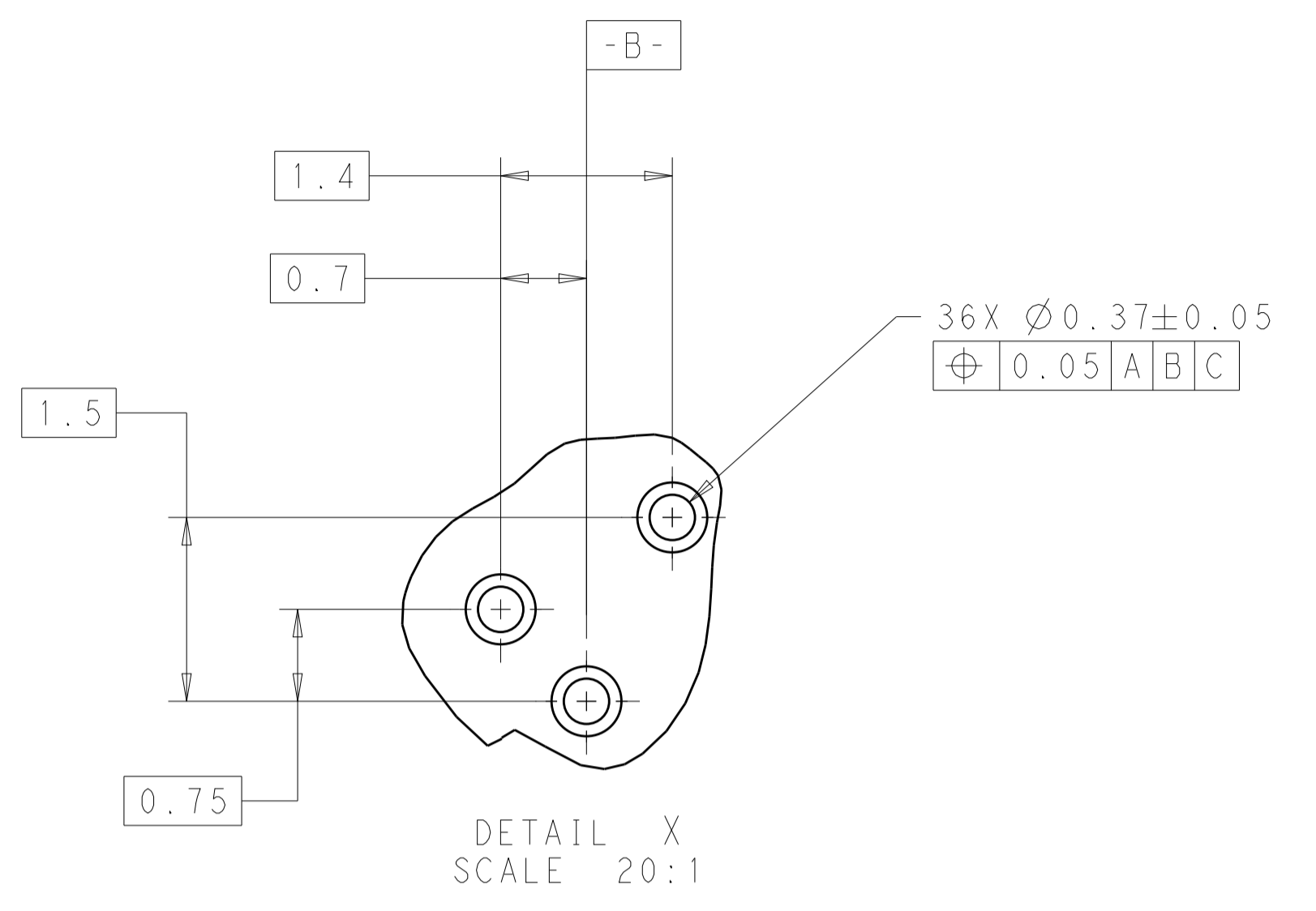
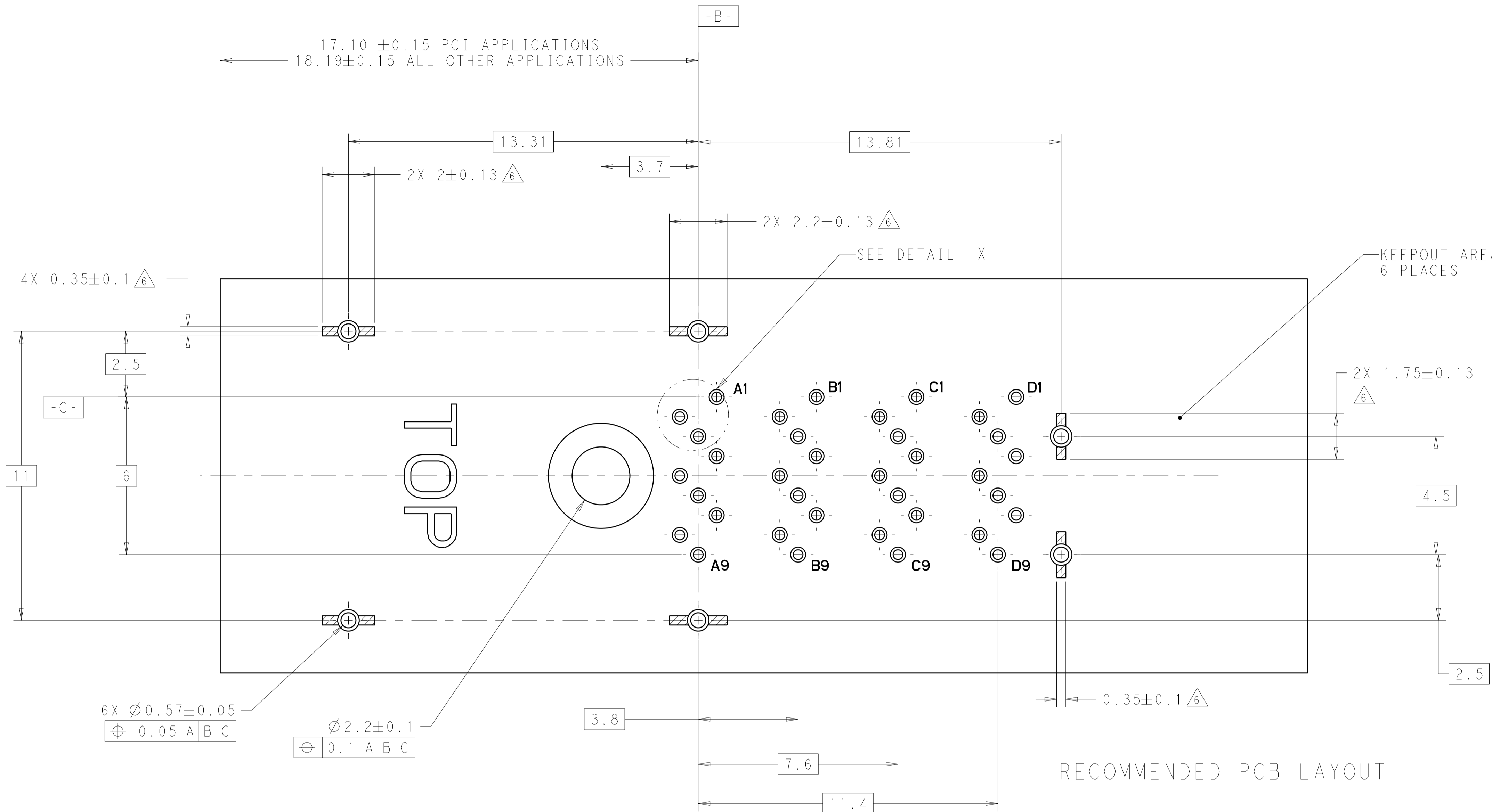


2149027-1
 PART NUMBER

THIS DRAWING IS A CONTROLLED DOCUMENT.		DMN P. KERLIN 27JUL2010	TE Connectivity	
DIMENSIONS:		CHK J. SECHRIST 27JUL2010	NAME RECEPTACLE ASSEMBLY, MINI-SASS HD	
mm	TOLERANCES UNLESS OTHERWISE SPECIFIED:	APVD	PRODUCT SPEC	RESTRICTED TO
	0 PLC ± 0.13		108-2462	
	2 PLC \pm		APPLICATION SPEC	
	3 PLC \pm		114-13316	
	4 PLC \pm		WEIGHT	
	ANGLES \pm		Customer Drawing	
MATERIAL	FINISH		SCALE 8:1	SHEET 1 OF 2
				REV 12

LOC	DIST	REV	DATE	APPD
AG	00			

REVISIONS				
NO	DESCRIPTION	DATE	BY	APPD
1	SEE SHEET 1			



THIS DRAWING IS A CONTROLLED DOCUMENT.		OWN P. KERLIN 27JUL2010	STE TE Connectivity
DIMENSIONS: mm		CHK J. SECHRIST 27JUL2010	
TOLERANCES UNLESS OTHERWISE SPECIFIED:		APVD	NAME RECEPTACLE ASSEMBLY, MINI-SASS HD
0 PLC	± 0.13	PRODUCT SPEC	
1 PLC	±	108-2462	
2 PLC	±	APPLICATION SPEC	
3 PLC	±	114-13316	
4 PLC	±	WEIGHT	
ANGLES	±	Customer Drawing	
MATERIAL	FINISH	SIZE CAGE CODE DRAWING NO	RESTRICTED TO
		A100779C=2149027	
		SCALE 8:1	SHEET 2 OF 2
			REV 12