

Series **D XX P 24B 6 XX 22 LF**

Number of contacts
09 , 15 , 25 , 37

Contacts
P : Pin

Termination

Code	Type	Foot Print/Pitch	Length of termination	PCB thickness
24B	Straight version	6 / 2.84mm	2.90	2.4

Plating
6 = 500 Mating / Unmating Mini

Packaging specification

Tape and Reel For connector with cap

See Note RoHS

NOTE RoHS INFORMATION

- The "LF" product meet european union Directives and other country regulations asdescribed in GS-22-008.
- The housing will whistand exposure to 260^o peak temperature for 30 seconds in a convection , infra-red or vapor reflow oven. See application notes/procedures if are available.
- Termination plating spec:1.27 μ Nickel mini,2.5 to 7.5 μ Sn(pure mate)
- Shell plating : Nickel bright
- Accessories : Sn pure bright
- Packaging spec ; See GS-14-920

Mounting Options

RL	Insert M3
RV	Female Screw UNC 4-40
RX	Insert UNC 4-40

Product Specification

see : GS-12-372

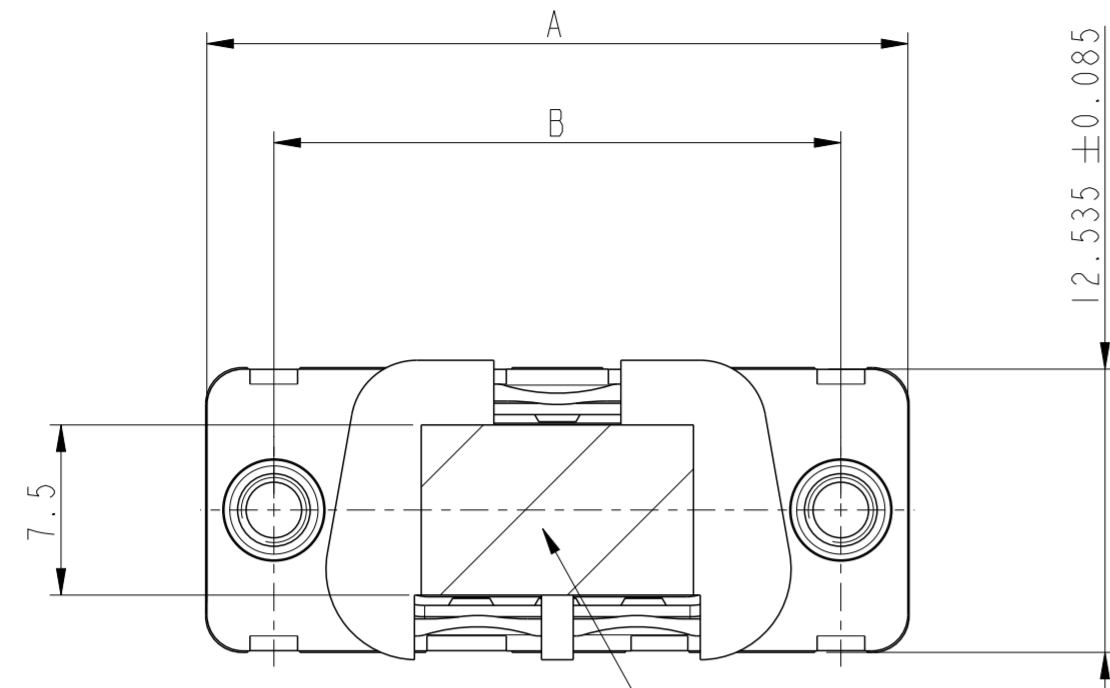
Packaging Specification

See GS-14-1052

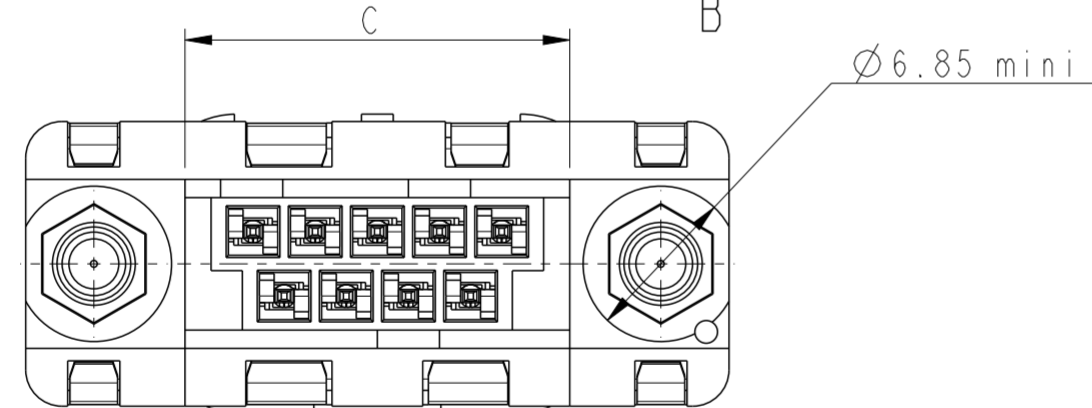
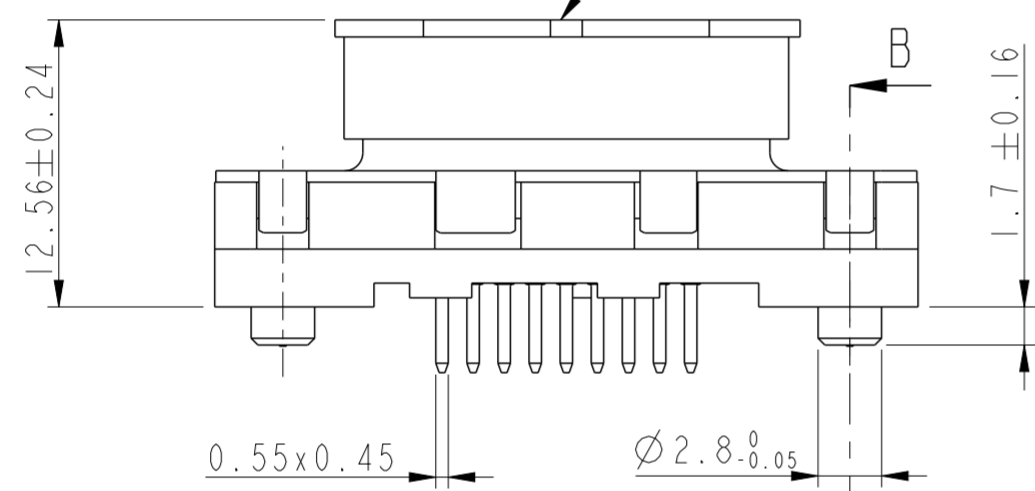
www.fciconnect.com		surface <input checked="" type="checkbox"/> ISO 1302	tolerance std ISO 406 ISO 1101	projection	mm
TOLERANCES UNLESS OTHERWISE SPECIFIED					
Dr	H.LEGALLIC	22/08/22	ANGULAR	0.X	± 0.3
Eng	H.LEGALLIC	06/08/22	LINEAR	0.XX	± 0.1
Chr	NIRMAL G	2010-10-14	0 ^o $\pm 2^o$	0.XXX	± 0.05
Appr	SUDHIR V	2010-10-14	Product family	SUB DELTA D PIP	Spec ref -
FCi		Title		SUB DELTA D PIP MALE H=2.9	
				straight for tape and reel packaging	
		catalog no		SEE TABLE	
				CUSTOMER	
				sheet 1 of 2	
Rev.	C01-8646-0887				D

ltr	ecn no	dr	YY/MM/DD
I	CREATED	HLE	06/08/22
A	LS06-0223	PCR	2006/12/21
B	LS08-0112	HLE	2008/04/21
C	110-0120	NG	2010-05-27
D	110-0197	NG	2010-10-14
-	-	-	-
-	-	-	-

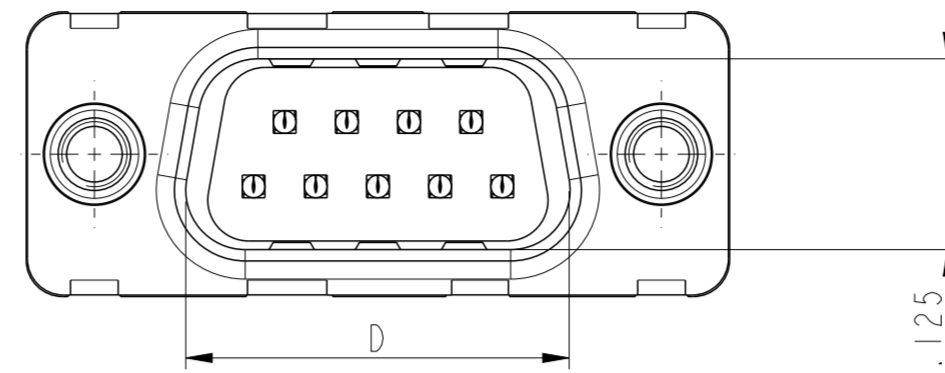
With CAP



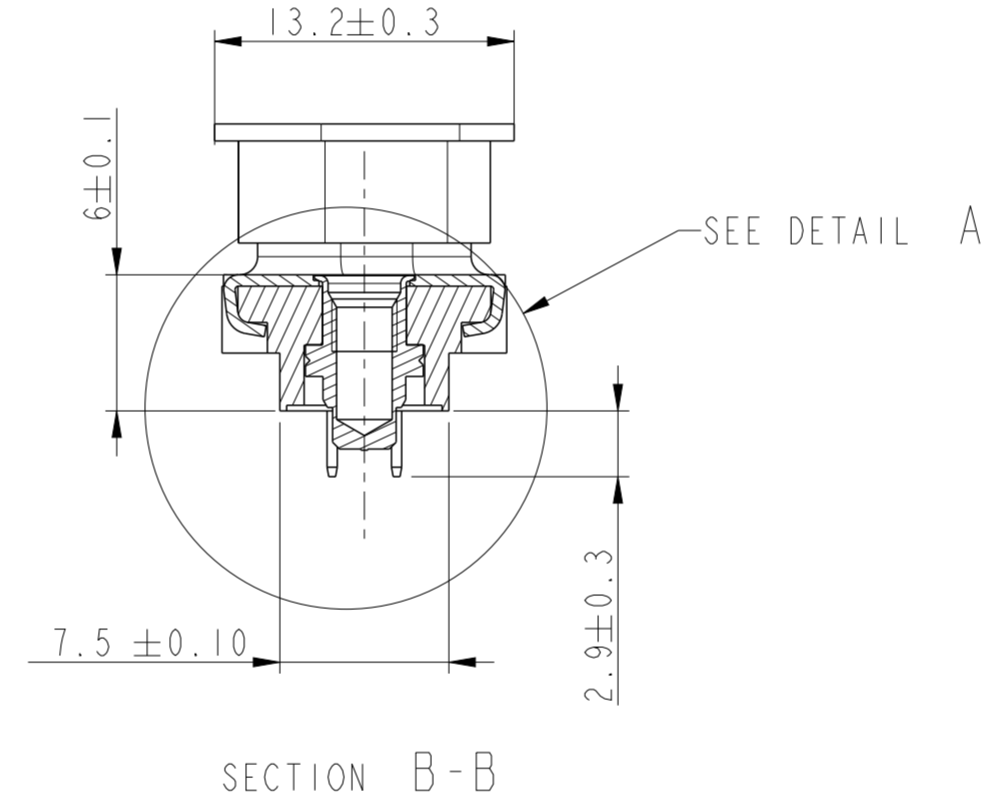
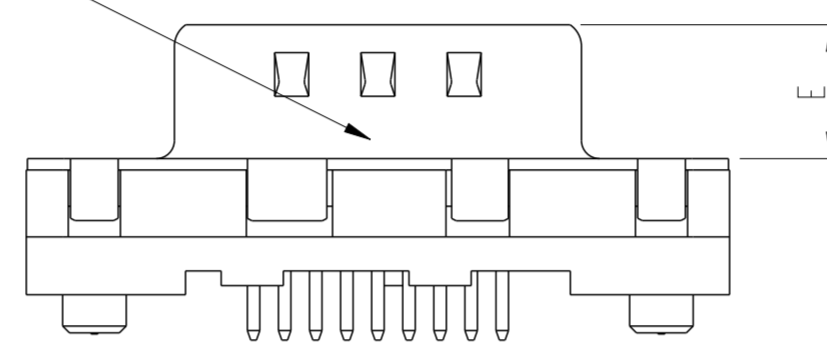
AREA VACUUM NOZZLE
 0.1



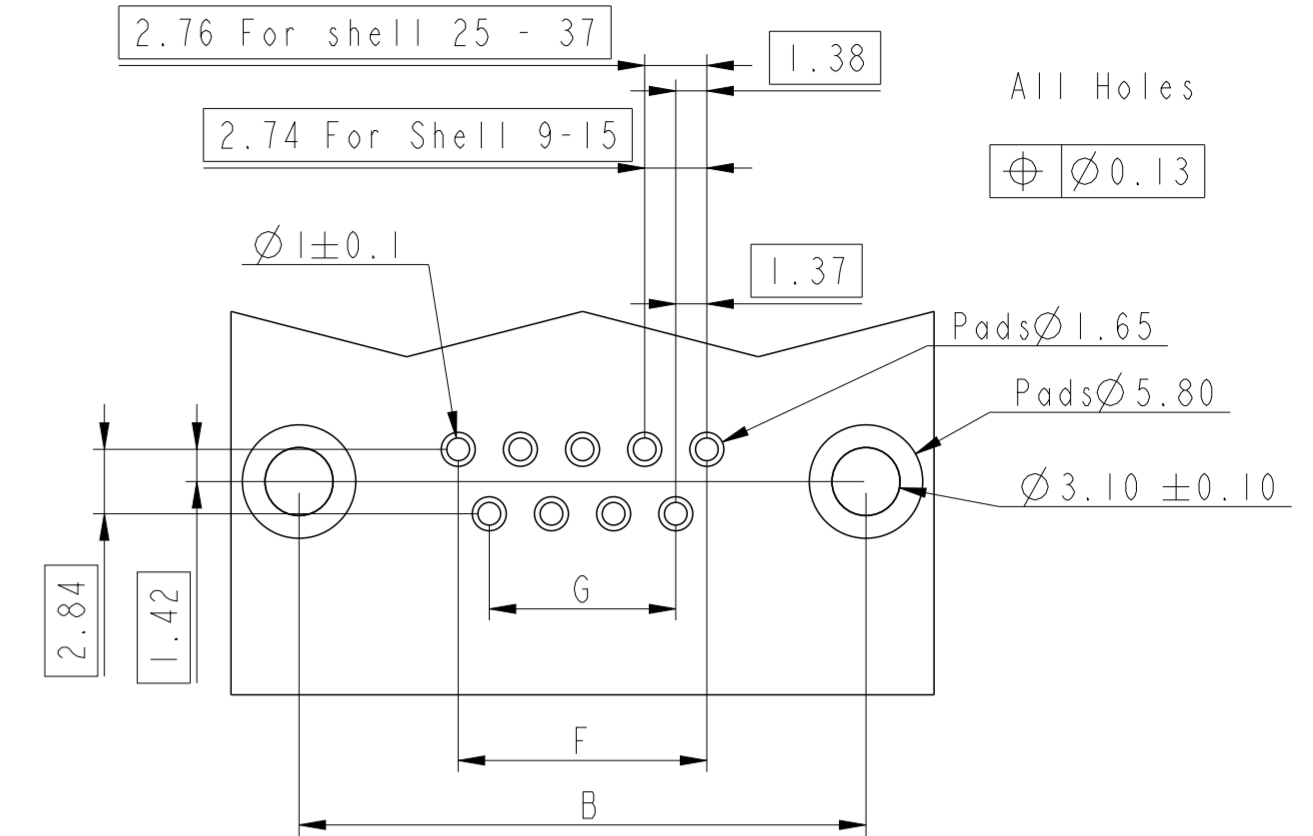
Without CAP



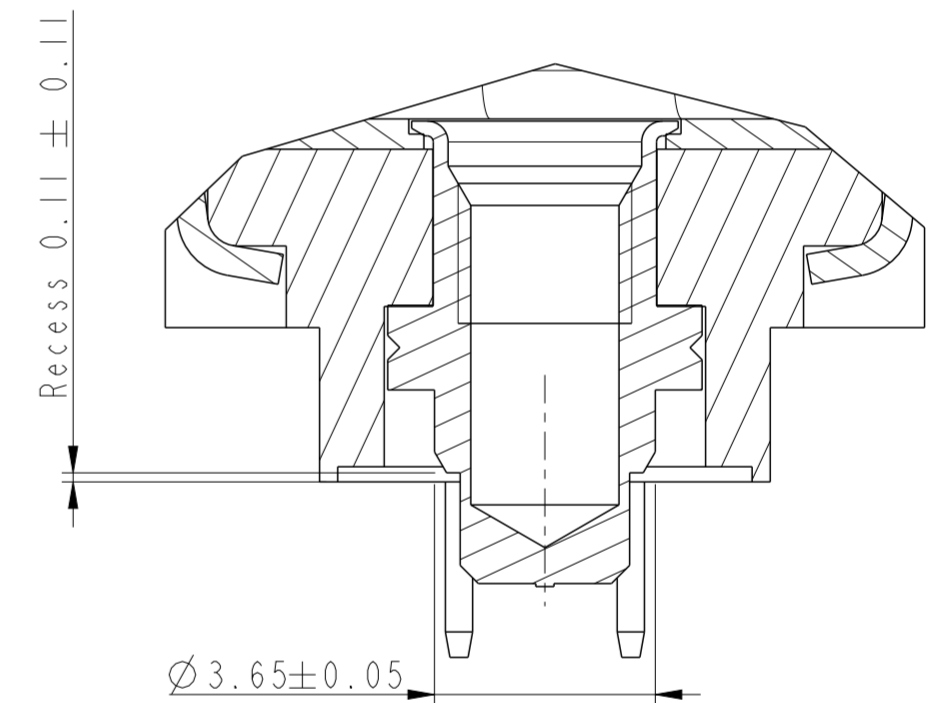
MARKING AREA



PCB Card Drilling dimensions and Pads recommended
 (after plating - Thickness : 2.40 mm)



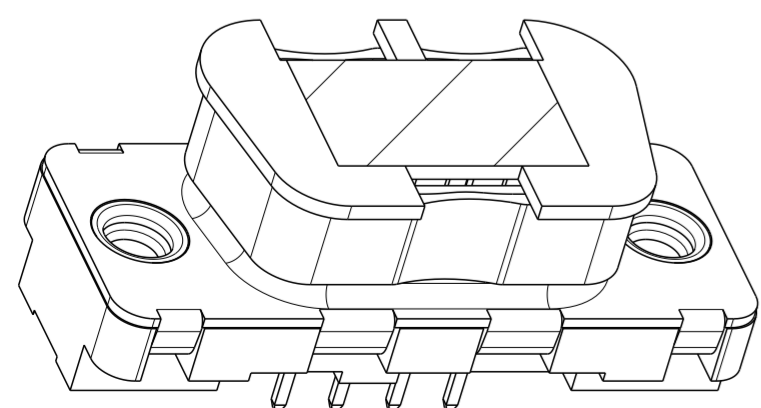
DETAIL A
 SCALE 8:1



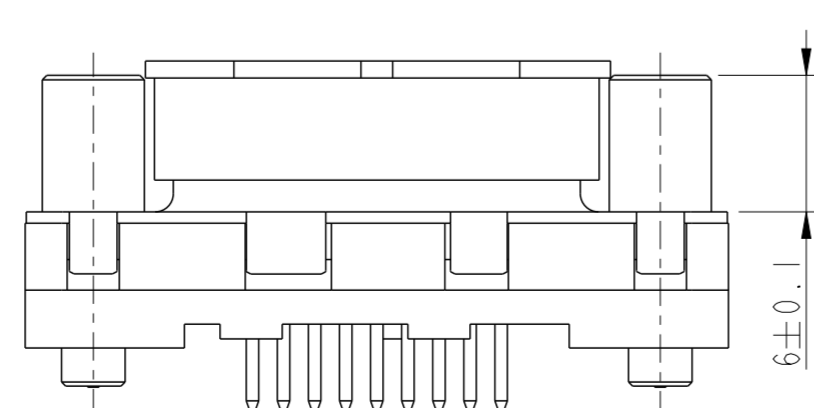
TRUE POSITIONING : Ø 0.36

SHELL	P/N LEAD FREE	A ±0.38	B ±0.10	C ±0.10	D +0.25 0	E +0.15 0	F	G
09	D09P24B6xx22LF	30.81	24.99	16.96	16.79	5.9	10.96	8.22
15	D15P24B6xx22LF	39.14	33.32	25.18	25.12	5.9	19.18	16.44
25	D25P24B6xx22LF	53.03	47.04	39.12	38.84	5.7	33.12	30.36
37	D37P24B6xx22LF	69.32	63.50	55.68	55.30	5.7	49.68	46.92

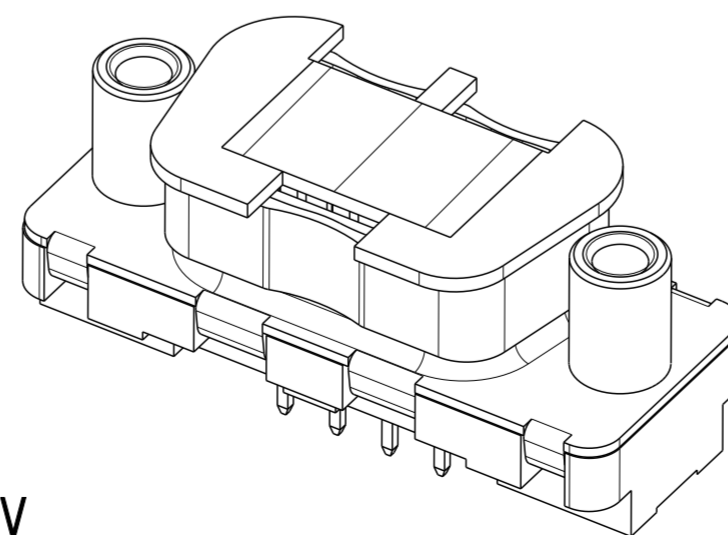
Accessories details



TYPE RX / RL



TYPE RV



www.fciconnect.com		surface - ✓ ISO 1302		tolerance std ISO 406 ISO 1101		projection 		mm	
TOLERANCES UNLESS OTHERWISE SPECIFIED									
Dr	H.LEGALLIC	22/08/22	ANGULAR	LINEAR	0.x	±0.3	size A2	Scale 3:1	
Eng	H.LEGALLIC	06/08/22			0.xx	±0.1			
Chr	NIRMAL G	2010-10-14	0° ±2°		0.xxx	±0.05	ECN	110-0197	
Appr	SUDHIR V	2010-10-14	Product family SUB DELTA D PIP			Spec ref -			
FCJ		Title SUB DELTA D PIP MALE H=2.9			Part no C01-8646-0887		Rev. D		
		straight for tape and reel packaging			catalog no SEE TABLE		CUSTOMER sheet 2 of 2		