

THIS DRAWING IS UNPUBLISHED.

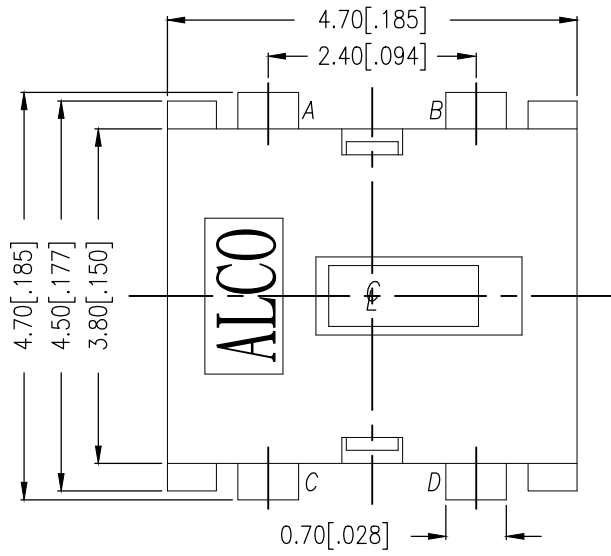
RELEASED FOR PUBLICATION

© COPYRIGHT - TE Connectivity Ltd.

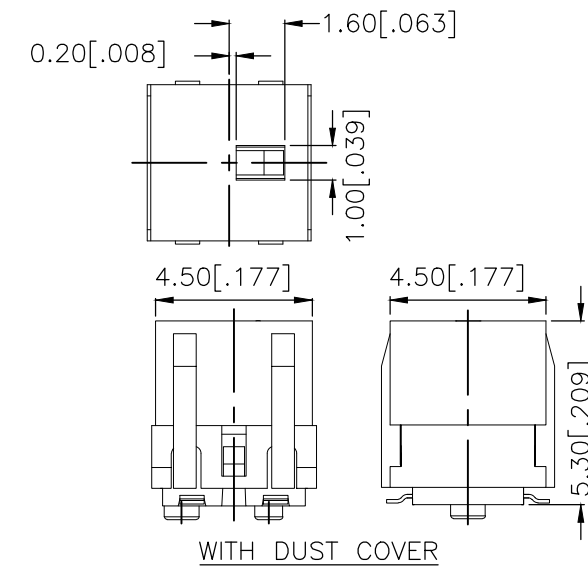
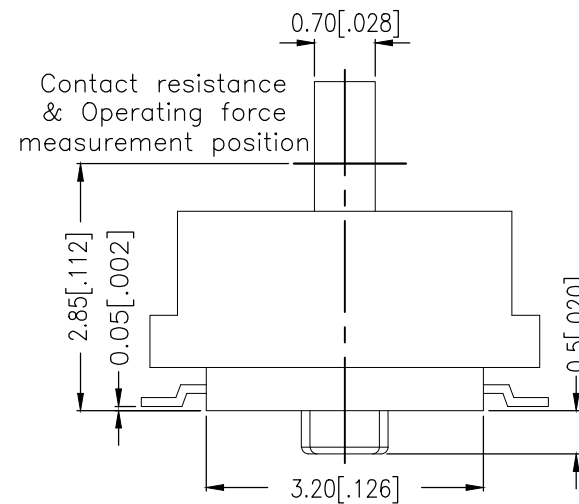
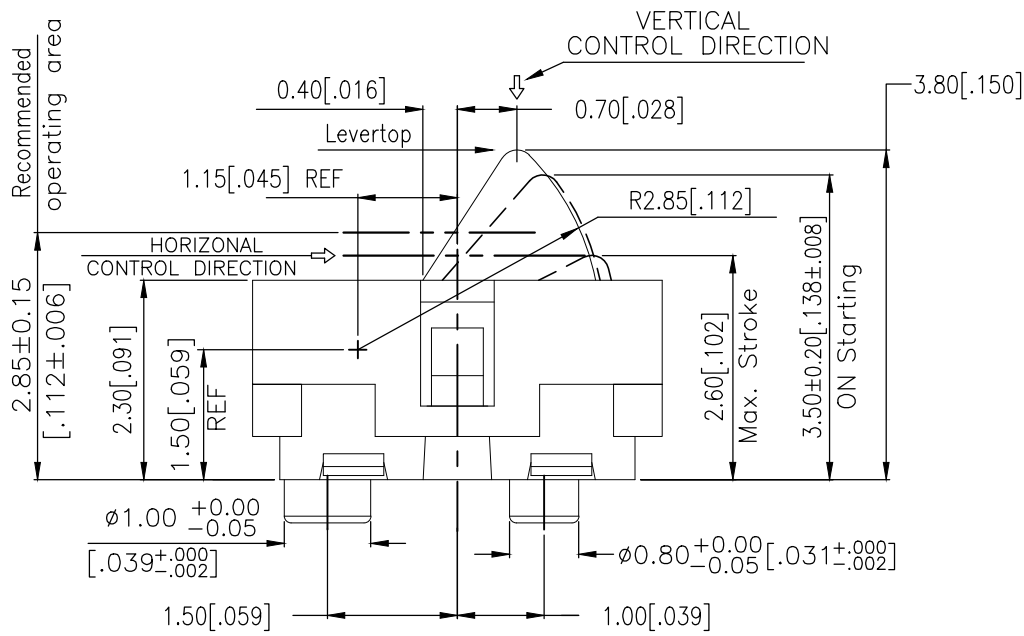
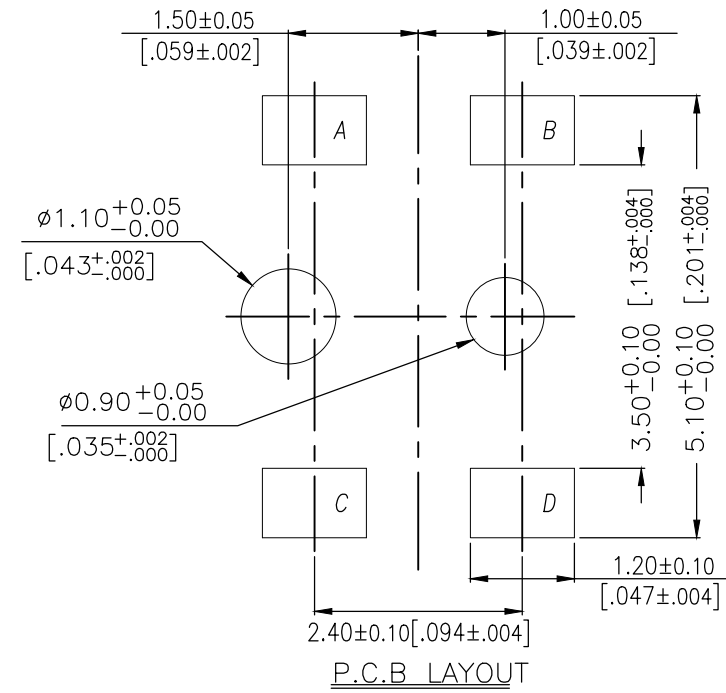
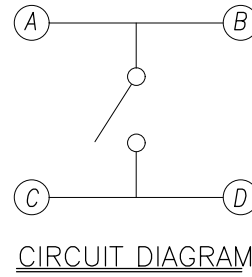
ALL RIGHTS RESERVED.


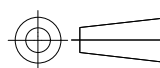
REVISIONS

P	LTR	DESCRIPTION	DATE	DWN	APVD
	A	ECR-18-012767	14AUG2018	RSM	AS



2331368-1
AS SHOWN



THIS DRAWING IS A CONTROLLED DOCUMENT.		DWN GANESH C M 07MAR2018	 TE Connectivity Ltd.		
DIMENSIONS: mm [INCHES]		CHK ALEXANDER SHARPE 07MAR2018			
TOLERANCES UNLESS OTHERWISE SPECIFIED:		APVD ALEXANDER SHARPE 07MAR2018	NAME SWITCH, DETECTOR, JJF SERIES, 4.7X3.8mm, VERTICAL, SMT, POSTS, WITH DUST COVER		
		PRODUCT SPEC	RESTRICTED TO		
MATERIAL		FINISH	APPLICATION SPEC	SIZE A3	CAGE CODE 00779
			WEIGHT	DRAWING NO C-2331368	
CUSTOMER DRAWING			SCALE NTS	SHEET 1 of 3	REV A

THIS DRAWING IS UNPUBLISHED. RELEASED FOR PUBLICATION
 © COPYRIGHT - TE Connectivity Ltd. ALL RIGHTS RESERVED.

REVISIONS					
P	LTR	DESCRIPTION	DATE	DWN	APVD
-	-	SEE SHEET 1	-	-	-

NOTES:

1. MATERIALS

ACTUATOR: THERMOPLASTIC, BLACK
 BODY: THERMOPLASTIC, UL94V-0, BLACK
 COVER: THERMOPLASTIC, BLACK
 TERMINAL: COPPER ALLOY, SILVER PLATE
 CONTACT: STAINLESS STEEL, SILVER CLAD
 DUST COVER: THERMOPLASTIC, BLACK

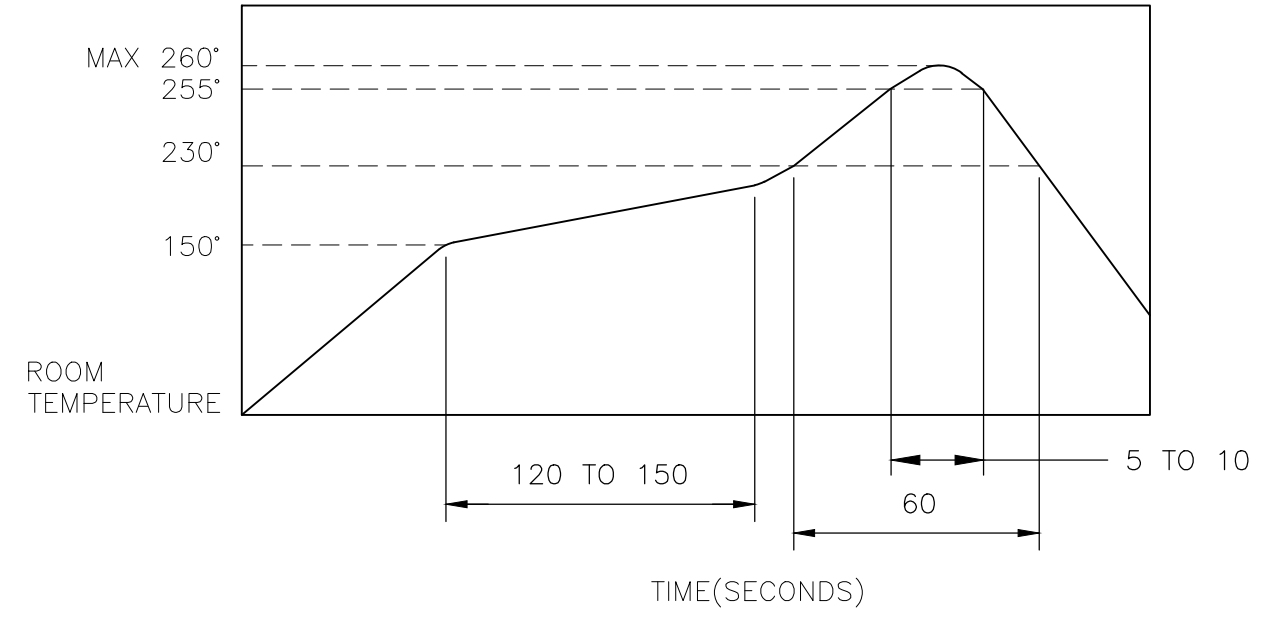
2. COMPLIANCE:

ALL MATERIALS AND FINISHES SHALL COMPLY WITH EU DIRECTIVE 2002/95/EC OF 27JAN2003(RoHS)

3. SPECIFICATIONS:

RATING: 1mA 5V DC
 CONTACT RESISTANCE: 1Ω MAXIMUM(INITIAL)
 INSULATION RESISTANCE: 100MΩ MINIMUM AT 100 V DC
 DIELECTRIC STRENGTH: 100 V AC, 1 MINUTE
 OPERATING LIFE: 100,000 CYCLES WITH LOAD
 TOTAL TRAVEL: 1.2 [.047]
 ACTUATION FORCE: 40gf MAXIMUM
 OPERATING TEMPERATURE: -10°C TO 60° C
 STORAGE TEMPERATURE: -20°C TO 70° C

4. SOLDER CONDITIONS : SMT



THE CONDITION MENTIONED ABOVE IS THE TEMPERATURE ON THE CU FOIL OF THE PCB SURFACE. THERE ARE CASES WHERE THE BOARD'S TEMPERATURE GREATLY DIFFERS FROM THE SWITCH'S SURFACE. DO NOT ALLOW SWITCH'S SURFACE TEMPERATURE TO EXCEED 260 °C

MANUAL SOLDERING

SOLDERING TEMPERATURE	MAX. 350°C
CONTINUOUS SOLDERING TIME	MAX. 5 SECONDS

PRECAUTIONS IN HANDLING

1. CARE SHOULD BE EXERCISED SO THAT FLUX FROM THE UPPER PART OF THE PRINTED CIRCUIT BOARD DOES NOT ADHERE TO THE SWITCH.

JJFV0UG380NOPMRTR	2331368-1
SMART PART NUMBER	PART NUMBER

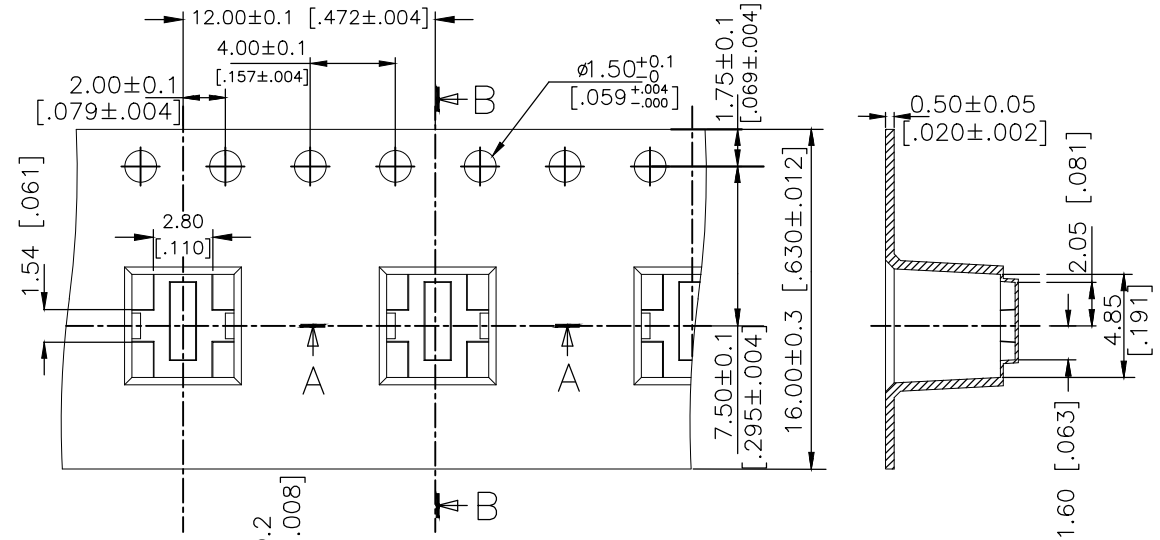
THIS DRAWING IS A CONTROLLED DOCUMENT.		DWN GANESH C M 07MAR2018	TE Connectivity Ltd.		
DIMENSIONS: mm [INCHES]		CHK ALEXANDER SHARPE 07MAR2018			
		APVD ALEXANDER SHARPE 07MAR2018	NAME SWITCH, DETECTOR, JJF SERIES, 4.7X3.8mm, VERTICAL, SMT, POSTS, WITH DUST COVER		
TOLERANCES UNLESS OTHERWISE SPECIFIED:		PRODUCT SPEC	RESTRICTED TO		
0 PLC ± -		APPLICATION SPEC	SIZE	CAGE CODE	DRAWING NO
1 PLC ± -		WEIGHT	A3	00779	C-2331368
2 PLC ± 0.20 [.008]		CUSTOMER DRAWING	SCALE	SHEET	REV
3 PLC ± -			NTS	2 of 3	A
4 PLC ± -					
ANGLES ± -					
MATERIAL					
FINISH					

THIS DRAWING IS UNPUBLISHED. RELEASED FOR PUBLICATION
 © COPYRIGHT - TE Connectivity Ltd. ALL RIGHTS RESERVED.

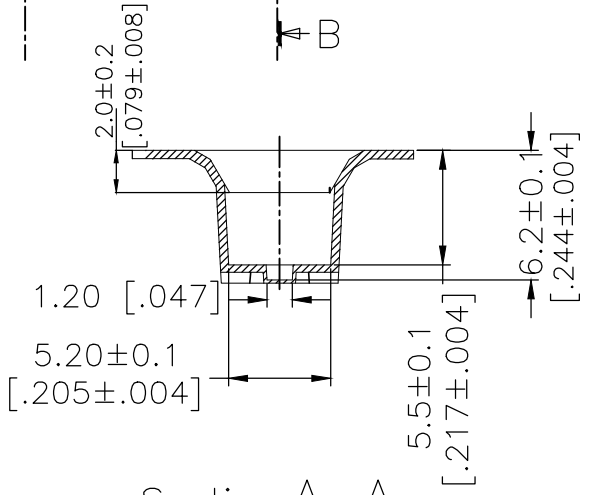
REVISIONS					
P	LTR	DESCRIPTION	DATE	DWN	APVD
-	-	SEE SHEET 1	-	-	-

PACKAGING:
900 SWITCHES PER REEL

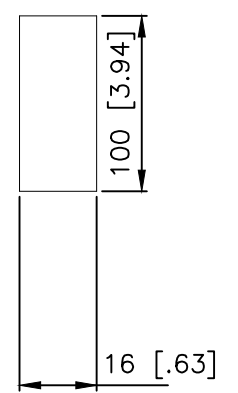
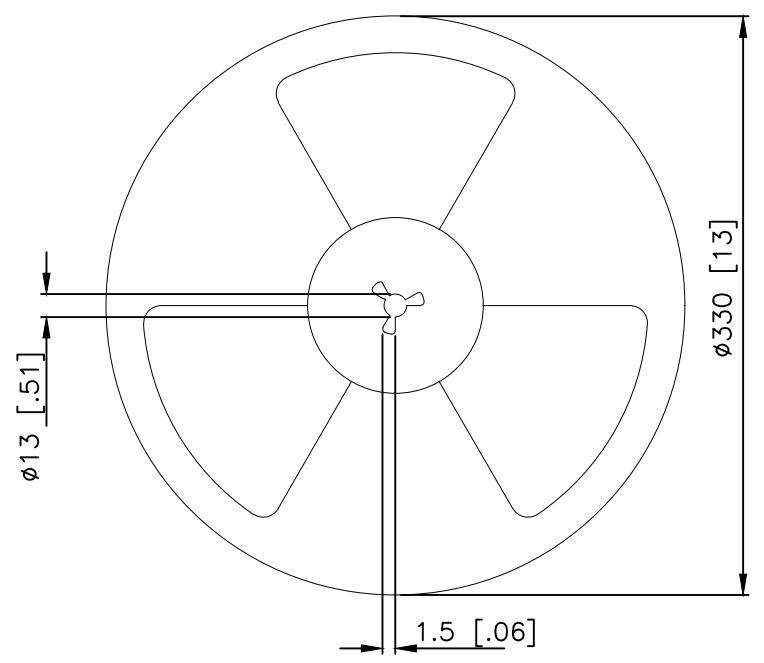
THE DIMENSION OF CARRIER TAPE, COVER TAPE AND REEL



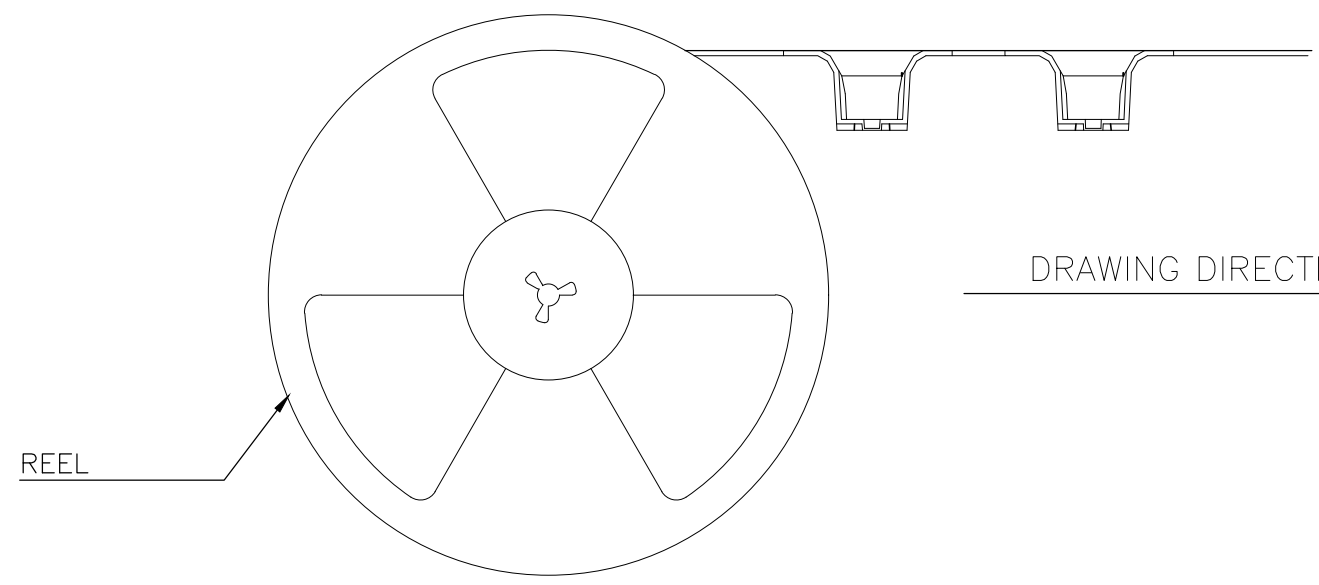
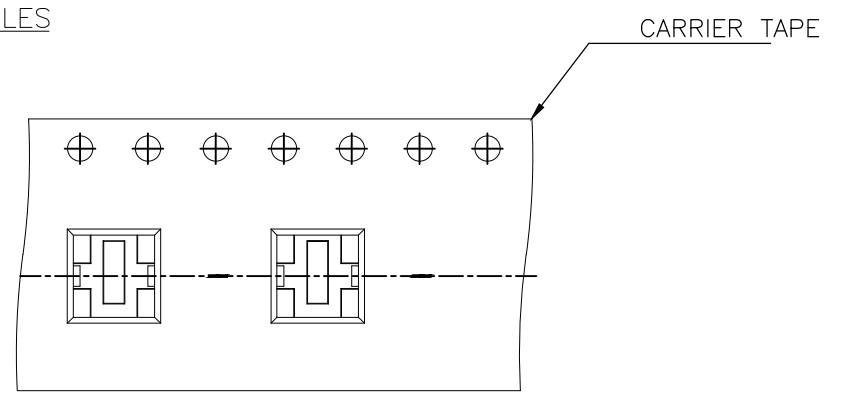
Section B-B



Section A-A



THE DIRECTION OF PILOT HOLES



THIS DRAWING IS A CONTROLLED DOCUMENT.		DWN GANESH C M 07MAR2018	TE Connectivity Ltd.			
DIMENSIONS: mm [INCHES]		CHK ALEXANDER SHARPE 07MAR2018				NAME SWITCH, DETECTOR, JJF SERIES, 4.7X3.8mm, VERTICAL, SMT, POSTS, WITH DUST COVER
TOLERANCES UNLESS OTHERWISE SPECIFIED:		APVD ALEXANDER SHARPE 07MAR2018	PRODUCT SPEC			
0 PLC ± - 1 PLC ± - 2 PLC ± 0.20 [.008] 3 PLC ± - 4 PLC ± - ANGLES ± -		APPLICATION SPEC	SIZE A3			
MATERIAL -		FINISH -	WEIGHT	CAGE CODE 00779	DRAWING NO C-2331368	RESTRICTED TO -
CUSTOMER DRAWING			SCALE NTS	SHEET 3 OF 3	REV A	