


35DBM-K (Captive)
SERIES**HIGHEST FORCE PER
FRAME SIZE**Formerly
K922-S SERIES**GENERAL SPECIFICATIONS**

Max Pull-in Rate* (Steps/Sec)	425
Power Consumption	5 Watts
Insulation Resistance	20M Ω
Bearings	Radial Ball
Weight	3 oz (85.2gm)
Operating Temperature Range	-20°C ~ 70°C
Storage Temperature Range	-40°C ~ 85°C

* Measured with 2 phases energized



**CLICK HERE TO
PRINT THIS SERIES**
OPENS PDF IN NEW WINDOW

The specifications in this publication are believed to be accurate and reliable. However, it is the responsibility of the product user to determine the suitability of Portescap products for a specific application. While defective products will be replaced without charge if promptly returned, no liability is assumed beyond such replacement.

Portescap Danaher Motion motors will not be CE marked where the Low Voltage Directive, the Electro-Magnetic Compatibility or other appropriate EU directives are not applicable - this is an EU legal requirement.

TECHNICAL SPECIFICATIONS

Part Number	DC Operating Voltage	Linear Travel Per Step*	Maximum Travel	Maximum Force*	Minimum Holding Force (Unenergized)
35DBM10B1U-K	5	.001" (0.0254mm)	.875" (22.2mm)	75 oz (20.9N)	40 oz (11.1N)
35DBM10B2U-K	12	.001" (0.0254mm)	.875" (22.2mm)	75 oz (20.9N)	40 oz (11.1N)
35DBM20B1U-K	5	.002" (0.0508mm)	.875" (22.2mm)	55 oz (15.3N)	10 oz (2.8N)
35DBM20B2U-K	12	.002" (0.0508mm)	.875" (22.2mm)	55 oz (15.3N)	10 oz (2.8N)
35DBM30B1U-K	5	.003" (0.0762mm)	.875" (22.2mm)	30 oz (8.3N)	5 oz (1.4N)
35DBM30B2U-K	12	.003" (0.0762mm)	.875" (22.2mm)	30 oz (8.3N)	5 oz (1.4N)

* Measured with 2 phases energized

Coil Type	Unipolar	
Coil Data	1U (5vdc)	2U (12vdc)
Resistance Per Phase	10 Ω	58 Ω
Inductance Per Phase	5.2mH Ref	30mH Ref

TECHNICAL SPECIFICATIONS

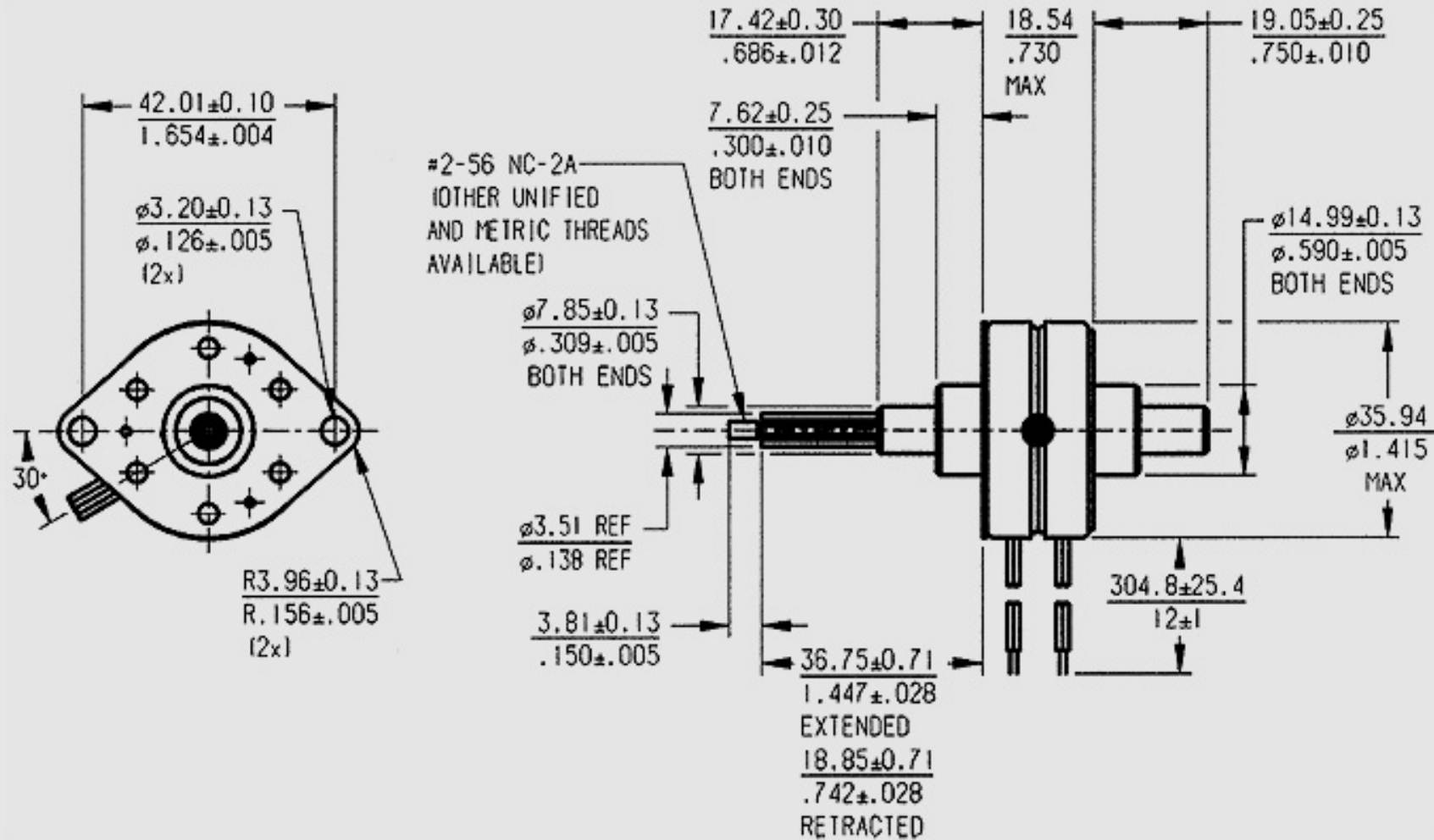
Part Number	DC Operating Voltage	Linear Travel Per Step*	Maximum Travel	Maximum Force*	Minimum Holding Force (Unenergized)
35DBM10B1B-K	5	.001" (0.0254mm)	.875" (22.2mm)	103.9 oz (28.9N)	40 oz (11.1N)
35DBM10B2B-K	12	.001" (0.0254mm)	.875" (22.2mm)	103.9 oz (28.9N)	40 oz (11.1N)
35DBM20B1B-K	5	.002" (0.0508mm)	.875" (22.2mm)	84.9 oz (23.6N)	10 oz (2.8N)
35DBM20B2B-K	12	.002" (0.0508mm)	.875" (22.2mm)	84.9 oz (23.6N)	10 oz (2.8N)
35DBM30B1B-K	5	.003" (0.0762mm)	.875" (22.2mm)	47.8 oz (13.3N)	5 oz (1.4N)
35DBM30B2B-K	12	.003" (0.0762mm)	.875" (22.2mm)	47.8 oz (13.3N)	5 oz (1.4N)

* Measured with 2 phases energized

Coil Type	Bipolar	
	1B (5vdc)	2B (12vdc)
Coil Data		
Resistance Per Phase	10 Ω	58 Ω
Inductance Per Phase	11.2mH Ref	60mH Ref

MECHANICAL DIMENSIONS

UNITS = MM / INCHES

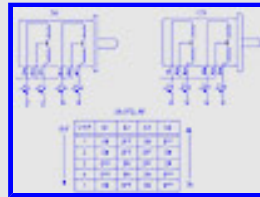


Notes:

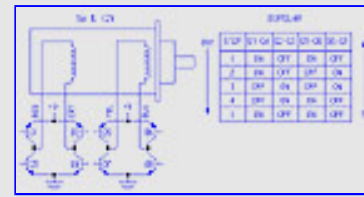
1. Not recommended to use at the fully retracted and extended positions.
2. Shaft axial backlash: 0.15/0.006 MAX

WIRING DIAGRAM

CLICK ON A THUMBNAIL TO MAGNIFY



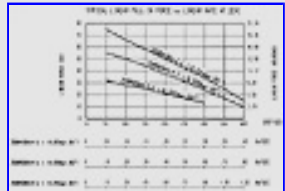
35DBM-K SERIES, Unipolar



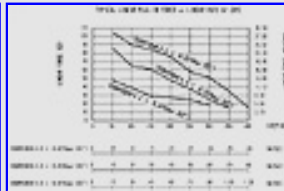
35DBM-K SERIES, Bipolar

MOTOR DYNAMICS

CLICK ON A THUMBNAIL TO MAGNIFY



35DBM-K Unipolar

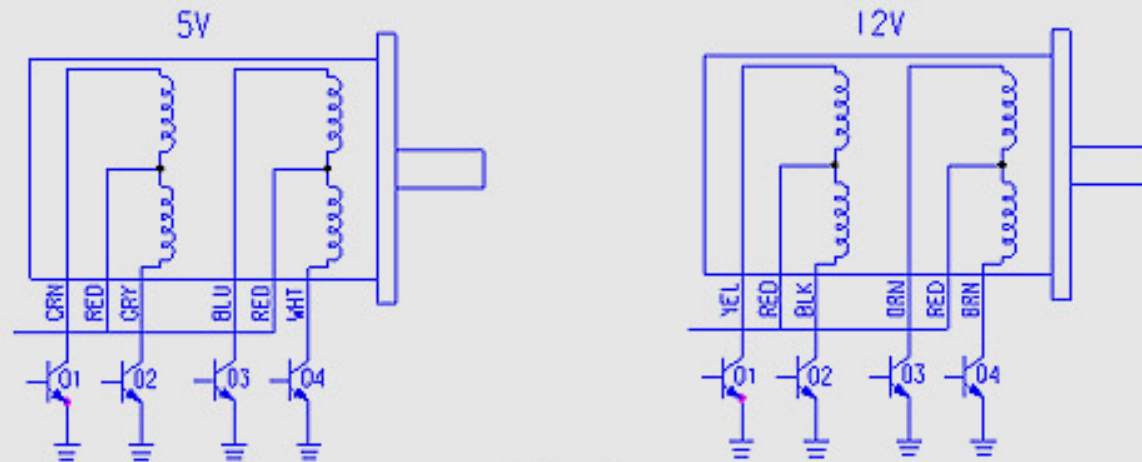


35DBM-K Bipolar

Note: Linear force is against opposite end of axial thrust spring

WIRING DIAGRAM

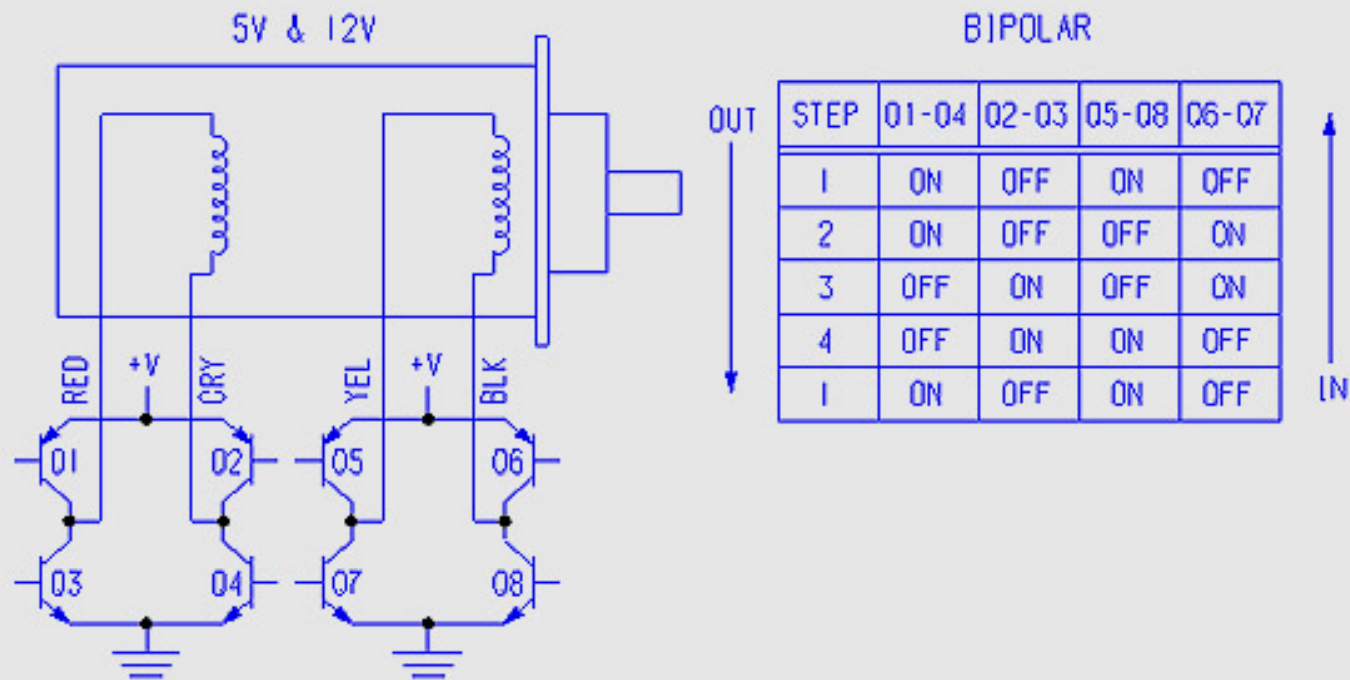
DIAGRAM INDEX



UNIPOLAR

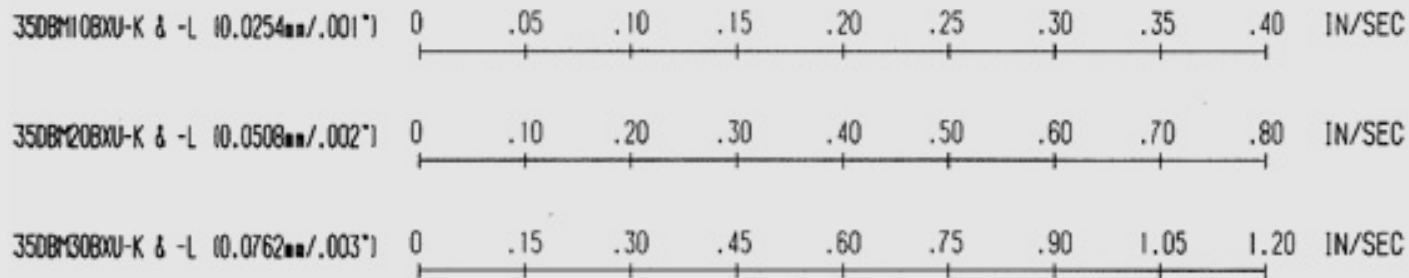
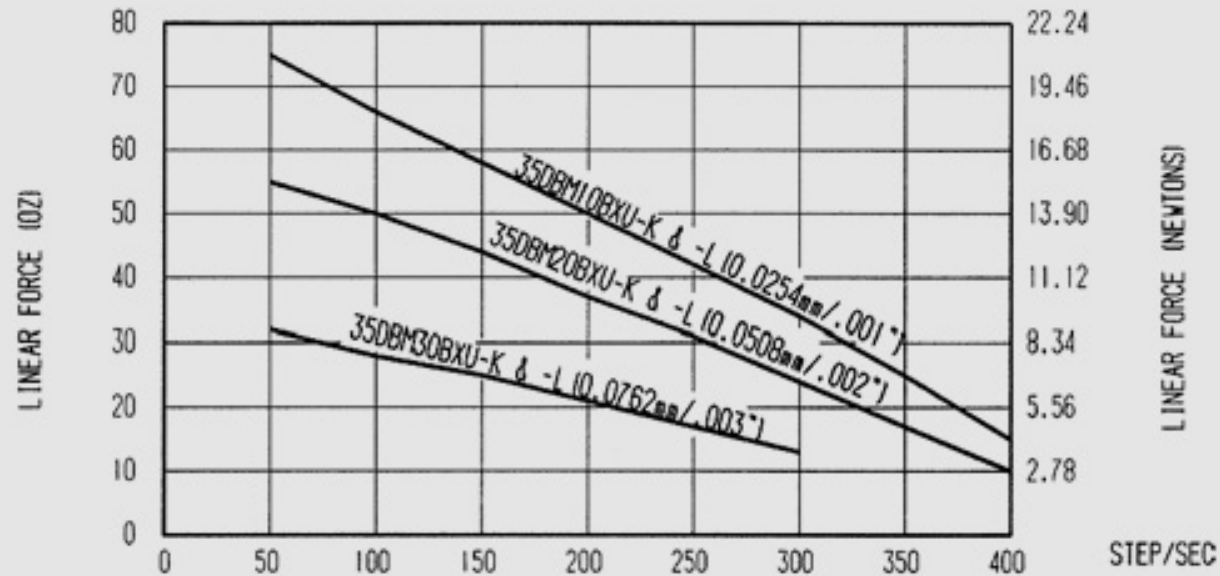
OUT	STEP	O1	O2	O3	O4
↓	1	ON	OFF	ON	OFF
	2	ON	OFF	OFF	ON
	3	OFF	ON	OFF	ON
	4	OFF	ON	ON	OFF
	1	ON	OFF	ON	OFF
					↑
					IN

WIRING DIAGRAM





TYPICAL LINEAR PULL-IN FORCE vs LINEAR RATE AT 20°C

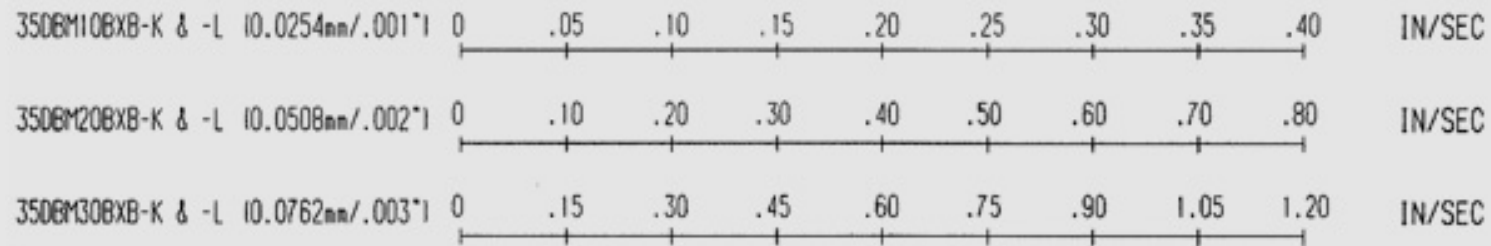
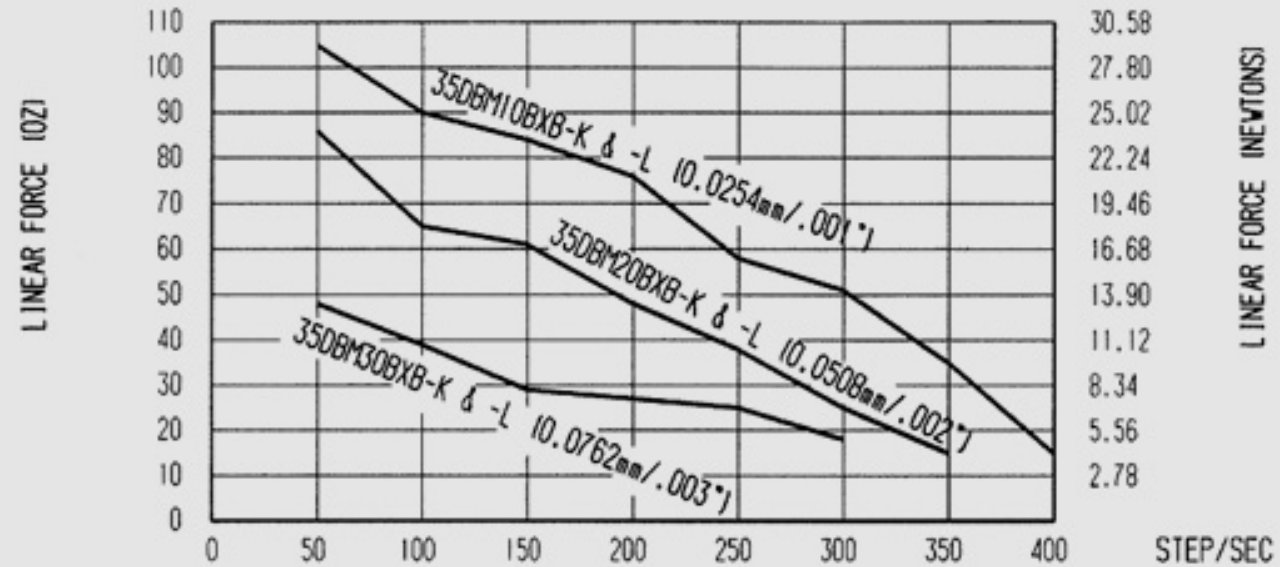


Note: Linear force is against opposite end of axial thrust spring

MOTOR DYNAMICS



TYPICAL LINEAR PULL-IN FORCE vs LINEAR RATE AT 20°C



Note: Linear force is against opposite end of axial thrust spring