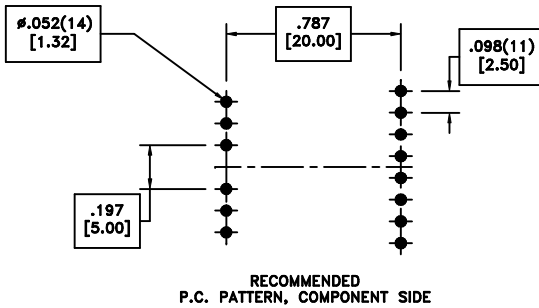
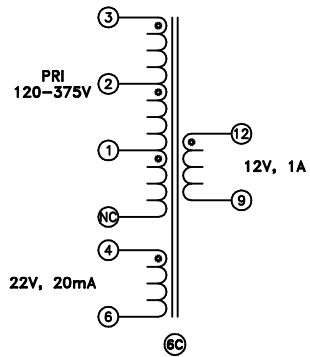
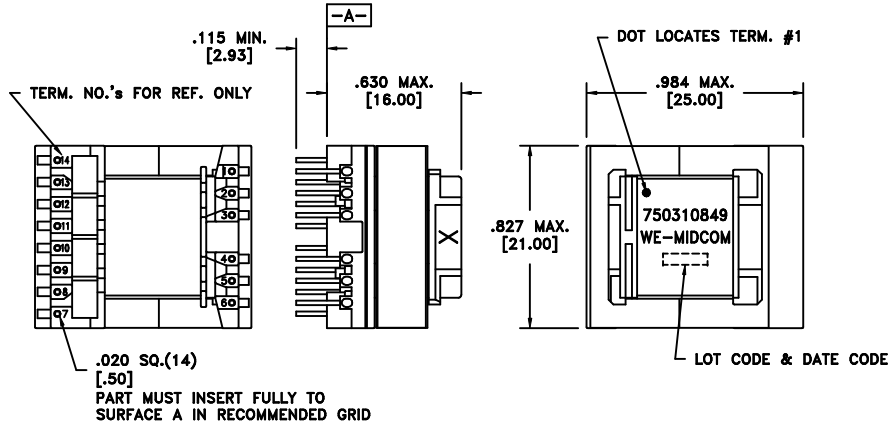


|                   |      |               |
|-------------------|------|---------------|
| CUSTOMER TERMINAL | RoHS | LEAD(Pb)-FREE |
| Sn96%, Ag4%       | Yes  | Yes           |

more than you expect



**ELECTRICAL SPECIFICATIONS @ 25°C unless otherwise noted:**

| PARAMETER          | TEST CONDITIONS                         | VALUE             |
|--------------------|---|-------------------|
| D.C. RESISTANCE    | 1-3 @20°C                               | 0.62 ohms ±10%    |
| D.C. RESISTANCE    | 4-6 @20°C                               | 0.37 ohms ±10%    |
| D.C. RESISTANCE    | 9-12 @20°C                              | 0.021 ohms ±10%   |
| INDUCTANCE         | 1-3 10kHz, 100mVAC, Ls                  | 900uH ±10%        |
| SATURATION CURRENT | 20% rolloff from initial                | 900mA             |
| LEAKAGE INDUCTANCE | 1-3 tie(4+6, 9+12), 100kHz, 100mVAC, Ls | 12.0uH max.       |
| DIELECTRIC RATING  | 3-12 tie(1+4), 5000VAC, 1 second        | 4000VAC, 1 minute |
| TURNS RATIO        | (2-1):(3-2)                             | 1:1, ±1%          |
| TURNS RATIO        | (3-1):(4-6)                             | 4:1, ±1%          |
| TURNS RATIO        | (3-1):(12-9)                            | 8:1, ±1%          |

**GENERAL SPECIFICATIONS:**

- Designed to comply with the following requirements as defined by IEC61558-2-17 and IEC60950-1:
  - Reinforced insulation for a primary circuit at a working voltage of 400V.

| REV. | DATE  | Packaging Specifications |
|------|-------|--------------------------|
| 6D   | 3/12  | Method: Tray             |
| 6C   | 5/11  | PKG-0736                 |
| 6B   | 11/10 | www.we-online.com/midcom |
| 6A   | 3/09  | SEE REVISION SHEET FOR   |



Tolerances unless otherwise specified:  
 Angles: ±1°      Decimals: ±.005 [.13]  
 Fractions: ±1/64      Footprint: ±.001 [.03]

This drawing is dual dimensioned. Dimensions in brackets are in millimeters.

DRAWING TITLE  
**TRANSFORMER**

eiSos p/n: 750310849



PART NO.  
**750310849**

SPECIFICATION SHEET 1 OF 1