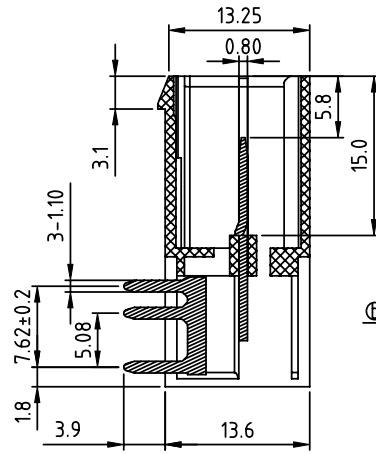
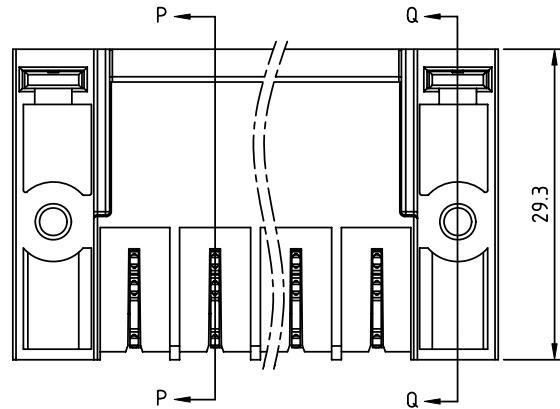
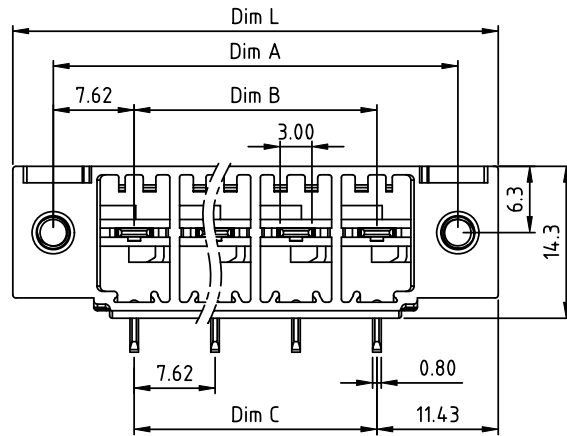
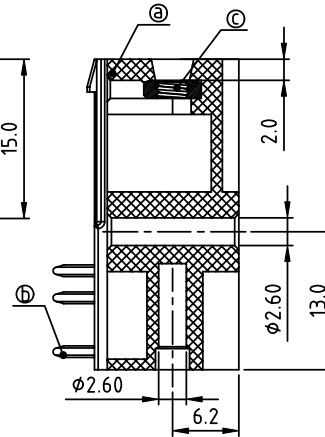


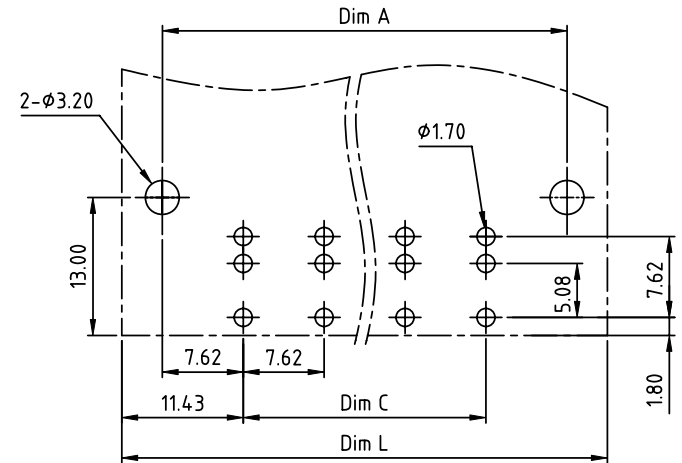
PRODUCT NUMBER	PITCH
VCxx01xC00J0G	7.62 mm



SECTION P-P



SECTION Q-Q



RECOMMENDED P.C.B LAYOUT
TOP VIEW

Material:

- Item ① Terminal(housing): Thermoplastic (UL94V-0)
- Item ② Pin: Copper, Tin plated
- Item ③ With flange nut : Steel zinc plating M3

Electrical: cULus

- Voltage rating:300V
- Current rating:41A
- Withstanding Voltage:1.6 KV
- Operating temperature:-40°C to +115°C
- Soldering temperature:260°C±5°C/5 Sec
- Safety Approval:

DIMENSION

Dim L	(N-1)×7.62+22.86
Dim A	(N-1)×7.62+15.24
Dim B	(N-1)×7.62
Dim C	(N-1)×7.62

N=Number of poles

Poles	Tolerance
2p-5p	±0.20
6p-12p	±0.30
13p-16p	±0.40

PART NO.: VCxx01xC00J0G

Solid block	Color	RoHS compliant (lead<4% in copper Alloy)
No. of poles	0 Black (RAL9005)	
02 2 poles	2 Red (RAL3001/D)	
03 3 poles	3 Orange(RAL2011/P)	
...	4 Yellow(RAL1018/A)	
...	5 Green(RAL6018/T)	
16 16 poles	6 Blue (RAL5015/A)	
	8 Grey(RAL7035/D)	
	9 White(RAL1102)	
	C Green(RAL6018/U)	

mat'l. code	surface ASME Y14.5	tolerance ASME Y14.5	projection	product family
ltr	ecn	no	dr	date
			angles	
			φ	
			X±1°	
			dr	EVIN ZHONG 050714
			enr	EVIN ZHONG 050714
			chr	HANKE FENG 050714
			appd	SHI JUN 050714
sheet index	revision	A		
	sheet	1		

