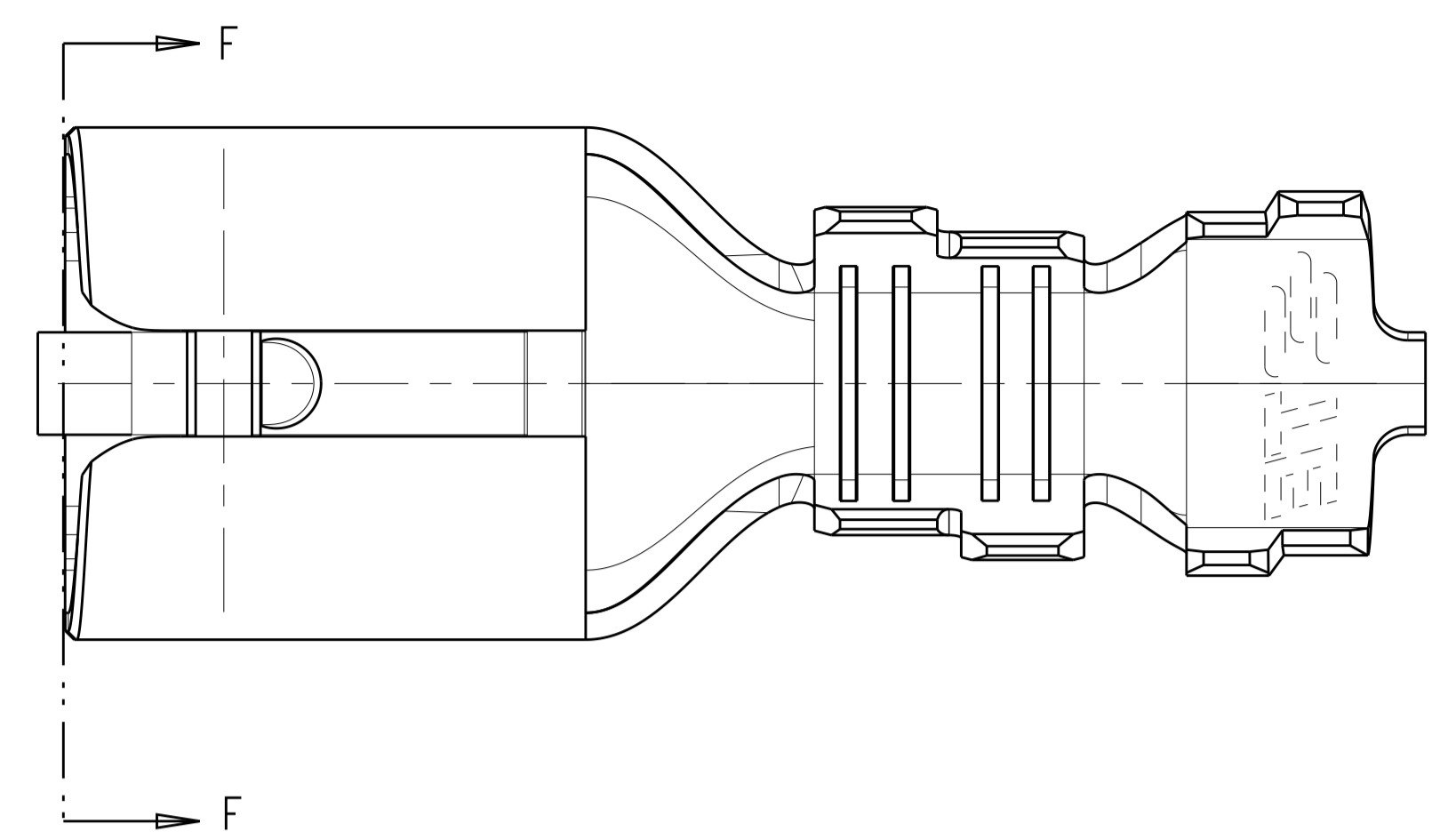
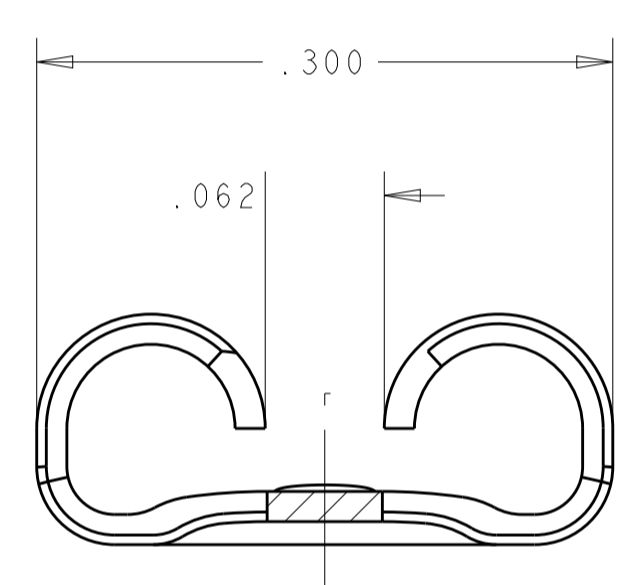


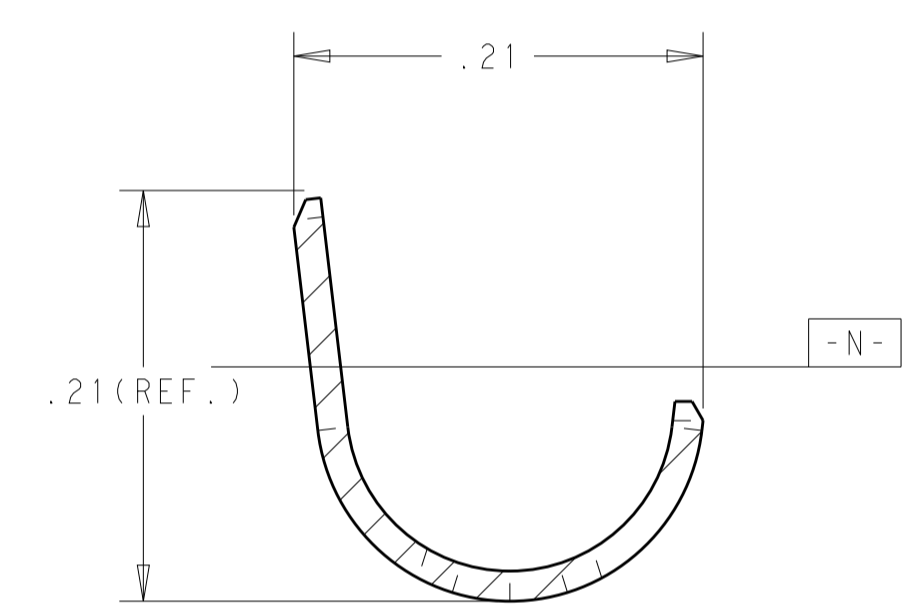
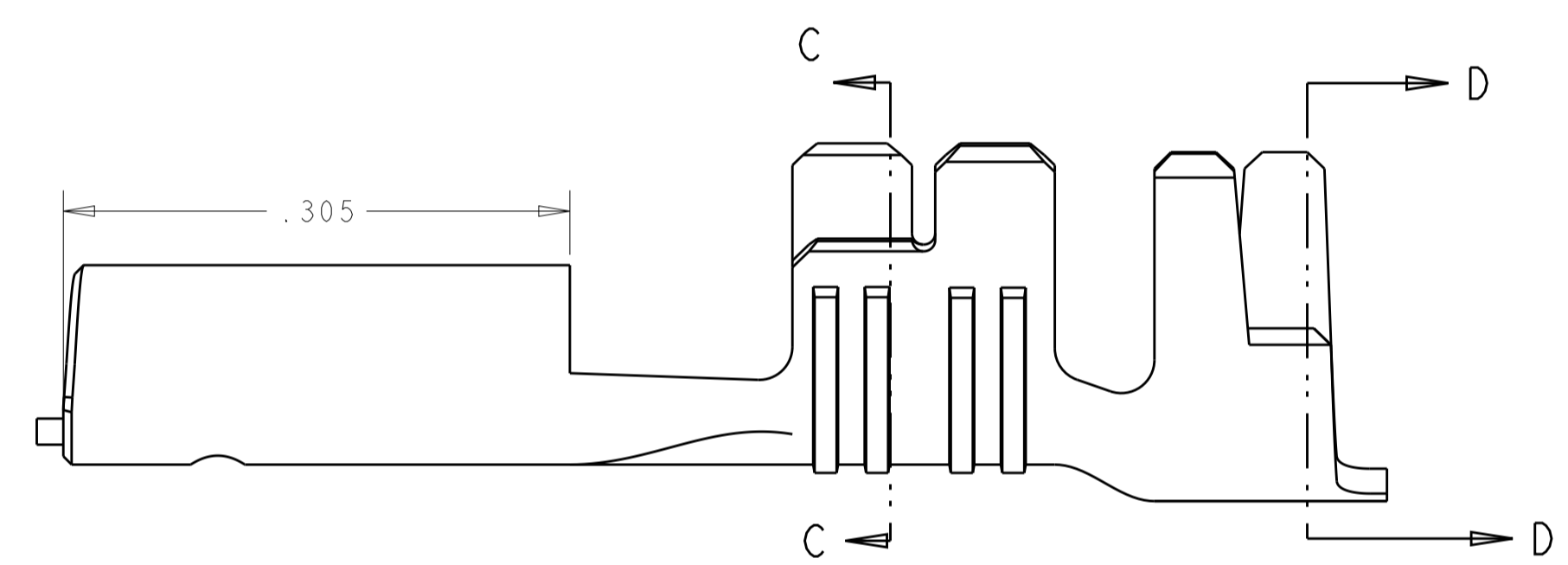
REVISIONS					
P.	LTN	DESCRIPTION	DATE	DWN	APVD
A		REVISED PER ECR-16-006405	06MAY2016	DL	TD
A1		REVISED PER ECR-16-008052	30MAY2016	DL	TD
A2		REVISED PER ECR-17-004596	30MAR2017	HG	TD



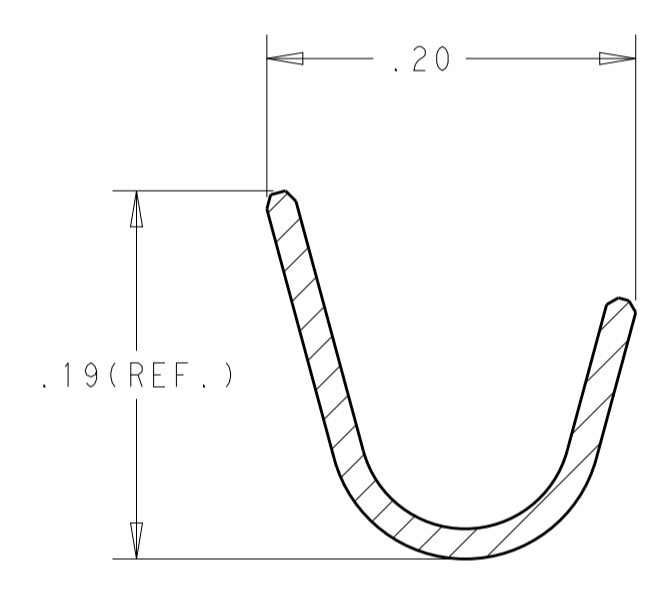
1. CONTINUOUS STRIP ON REELS
2. WIRE RANGE:
SINGLE WIRE #22-#12 AWG
3. INSULATION RANGE
SINGEL WIRE: .077-.157 DIA.
4. MATING TAB THK IS .032. DIMENSION PER UL310 SPECIFIED



SECTION F-F
SCALE 10:1



SECTION D-D



SECTION C-C
SCALE 10:1

TIN PLATED	2238026-2
NONE	2238026-1
FINISH	PART NUMBER

THIS DRAWING IS A CONTROLLED DOCUMENT.		DWN: JI_DAISSY 03FEB2016	TE Connectivity	
DIMENSIONS: IN		CHK: DING TIM		
TOLERANCES UNLESS OTHERWISE SPECIFIED:		APVD: DING TIM	PRODUCT SPEC: 108-106199	
0 PLC ±.010 1 PLC ±.015 2 PLC ±.030 3 PLC ±.020 4 PLC ±.020 ANGLES ±1° FINISH SEE TABLE		PRODUCT SPEC: 108-106199	APPLICATION SPEC: 114-106199	
MATERIAL: BRASS	FINISH: -	WEIGHT: -	RESTRICTED TO: -	
CUSTOMER DRAWING		SCALE: 8:1	SHEET 1 OF 1	
		CAGE CODE: -	DRAWING NO: 2238026	
		REV: A2		