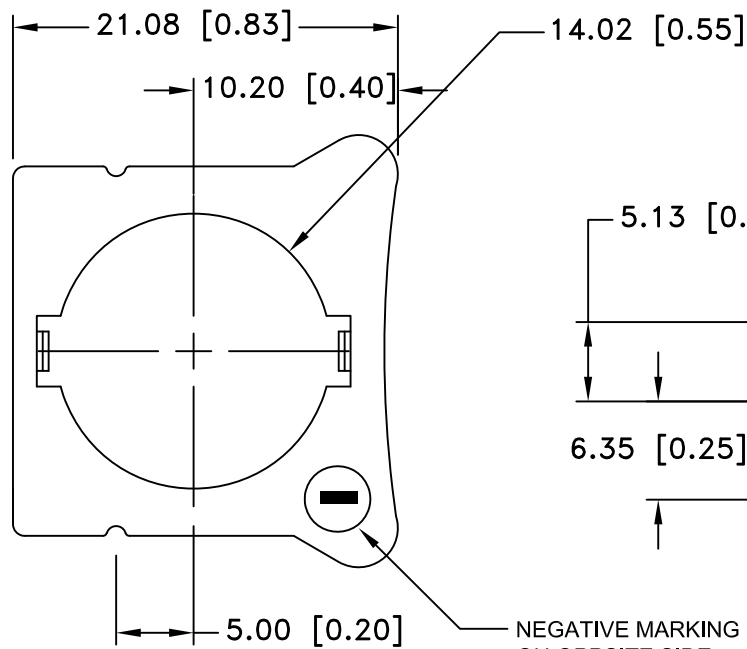
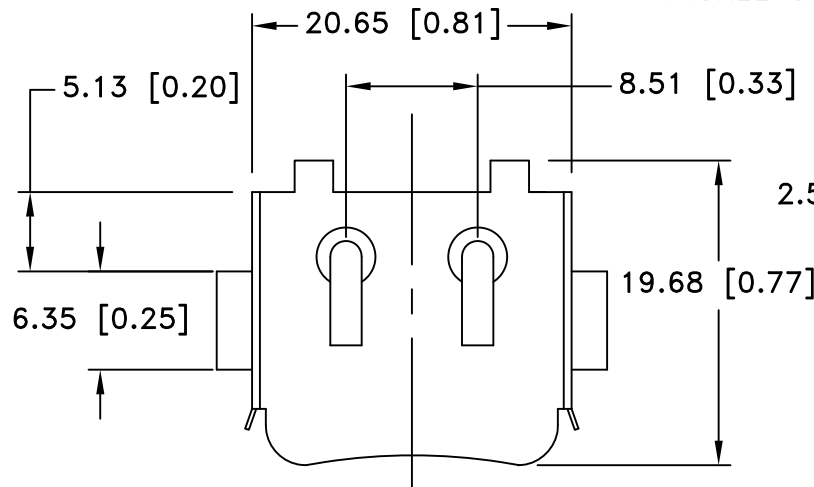


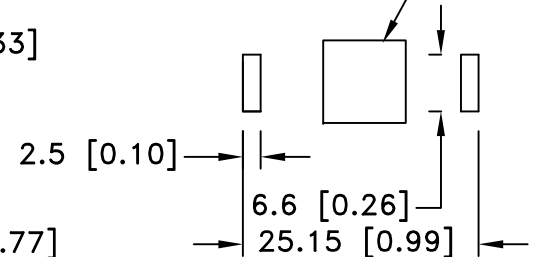
Date	SYM	REVISION RECORD	AUTH	DR.	CK.



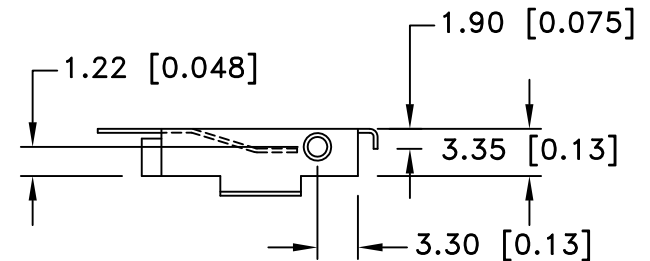
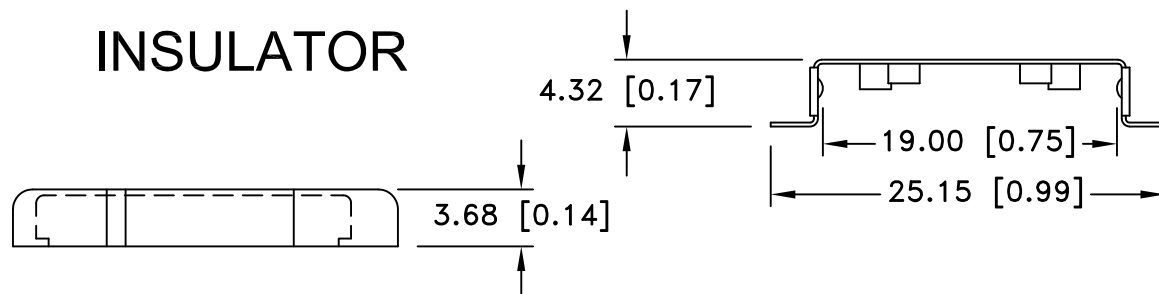
INSULATOR



5.0 [0.20] SQ. PAD
NICKEL OR GOLD RECOMMENDED




PCB LAYOUT



SPECIFICATIONS:

- * Holder material- Polypropylene, AV161 PP, Off White
- * UL Flamability Rating: UL 94-HB File No. E108370
- * Contacts : Phosphor Bronze C5191, Nickel Plated 80-150u thickness
- * Vibration test: 10-50-10 hz swept in 60 seconds
x,y,z direction: 1 hour each direction
- * Result: no dislodgement of the cell or damage
no discontinuity over 10 micro-seconds
- * Shock test: half sine wave acceleration 150g.
6 micro-seconds 3 shock pulses each direction per axis,
total of 18 pulses
- * Result: no evidence of physical damage
- * ROHS COMPLIANT

Tolerance (Except as noted)		Memory Protection Devices, Inc	
		200 Broad Hollow Road, Farmingdale, New York 11735	
decimal ±.5 (.020)	Scale	Drawn By B.S.	
		Approved By T.B.	
Fractional ± .8 (.030)	Title F3 SURFACE MOUNT BATTERY RETAINER WITH INSULATOR		
Angular ± 3°	Date	Drawing Number	
	03/11/11	BHX1-F3-SM	