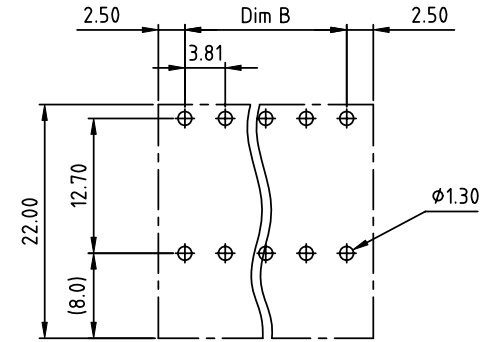
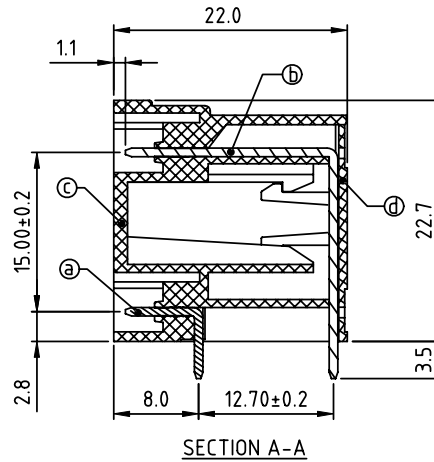
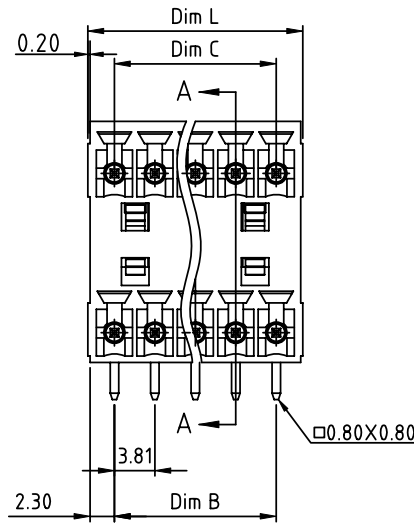


PRODUCT NUMBER	PITCH
VLxx31x100J0G	3.81 mm



RECOMMENDED P.C.B LAYOUT  
TOP VIEW

Material:

- ItemⒶ Short pin: Copper Tin plated
- ItemⒷ Long pin: Copper Tin plated
- ItemⒸ Terminal(housing): Thermoplastic (UL94V-0)
- ItemⒹ Terminal(cover): Thermoplastic (UL94V-0)

Electrical:

- Voltage rating: cULus 300V
- Current rating: 10A
- Withstanding Voltage: 1.6 KV
- Operating temperature: -40°C to +115°C
- Soldering temperature: 260°C±5°C/5 Sec
- Safety Approval:

PART NO.: VL xx 3 1 x 1 00J0 G

N=NUMBER OF POLES  
Dim L=(N/2-1)×3.81+5.0  
Dim B=(N/2-1)×3.81  
Dim C=(N/2-1)×3.81

POLES	Tolerance
2×2P-2×4P	±0.15
2×5P-2×8P	±0.20
2×9P-2×13P	±0.25
2×14P-2×17P	±0.30
2×18P-2×24P	±0.35

	Solid block	No. of poles	Color	RoHS compliant
	0	2	Black (RAL9005)	(lead<4%)
	2	3	Red (RAL3001/D)	In copper Alloy
	04	4	Orange(RAL2011/P)	
	06	4	Yellow(RAL1018/A)	
	...	5	Green(RAL6018/T)	
	48	6	Blue (RAL5015/A)	
		8	Grey(RAL7035/D)	
		9	White(RAL1102)	
		C	Green(RAL6018/U)	

mat'l. code		surface ASME Y14.5	tolerance ASME Y14.5	projection 	product family TERMINAL BLOCK
ltr	ecn no	dr	date	tolerances unless otherwise specified	title TERMINAL BLOCK
				angles X°±1'	PLUGGABLE SOCKET,RIGHT ANGLE
				scale	MM
		dr	EVIN ZHONG	042814	dwg no
		enr	EVIN ZHONG	042814	sheet 1 of 1
		chr	HANKE FENG	042814	size A4
		appd	SHI JUN	042814	VLxx31x100J0G
					type CUSTOMER Drawing
sheet index	revision	A			
	sheet	1			