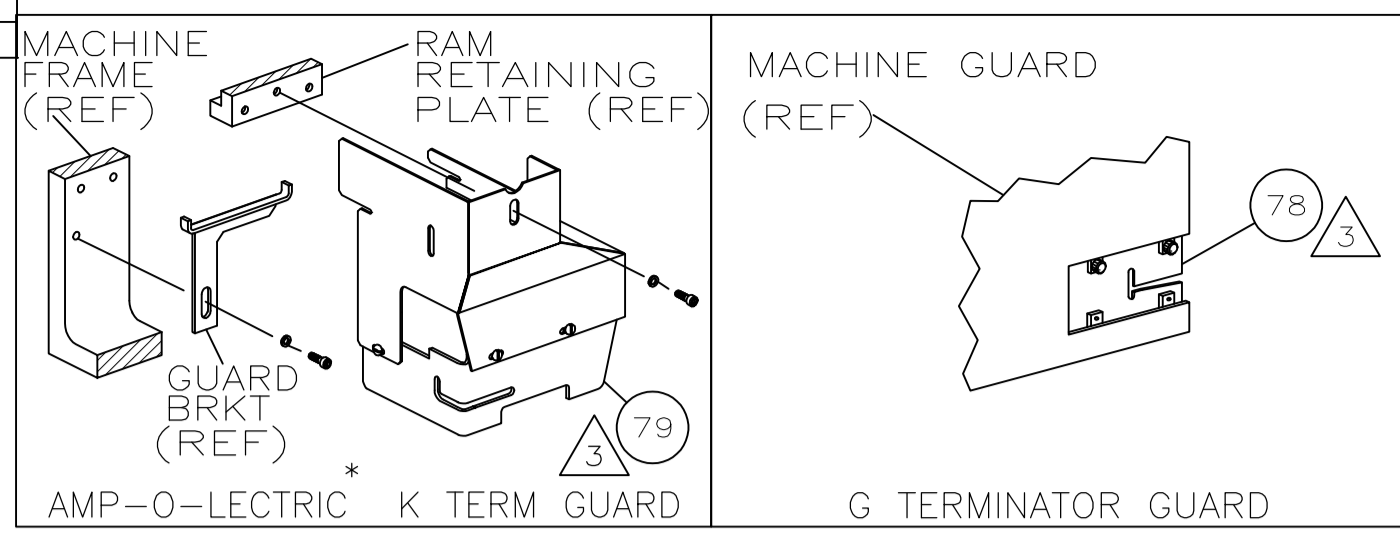


PART NUMBER	REV	FIRST USED
466082-1	C	854400-1
466082-2	N	565435-5
466082-3	N	354500-1

OBSELETE



TERMINAL NAME: SHUR PLUG

PAD LTR	CRIMP HEIGHT	WIRE SIZE
A	.079 ±.002	14
B	.070 ±.002	16
C	.064 ±.002	18
D	NOT USED	

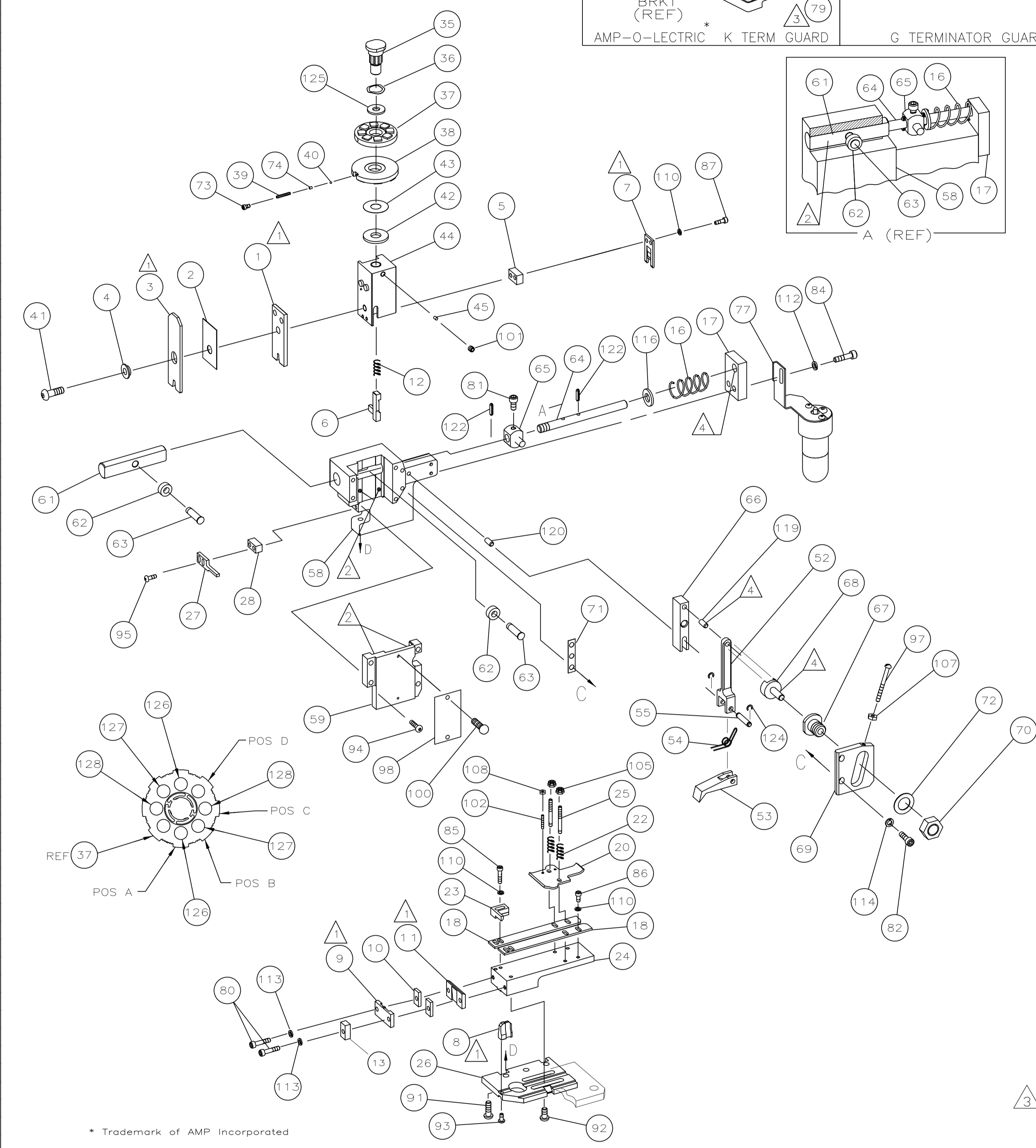
CRIMP SIZE TYPE RANGE

WIRE	INSUL	FEED	APPL INST	SET UP GAGE	LAYOUT
.110	F	.155	F	.080-.120	
WIRE STRIP LENGTH		.156			

TERM APPL SPEC 114-2042

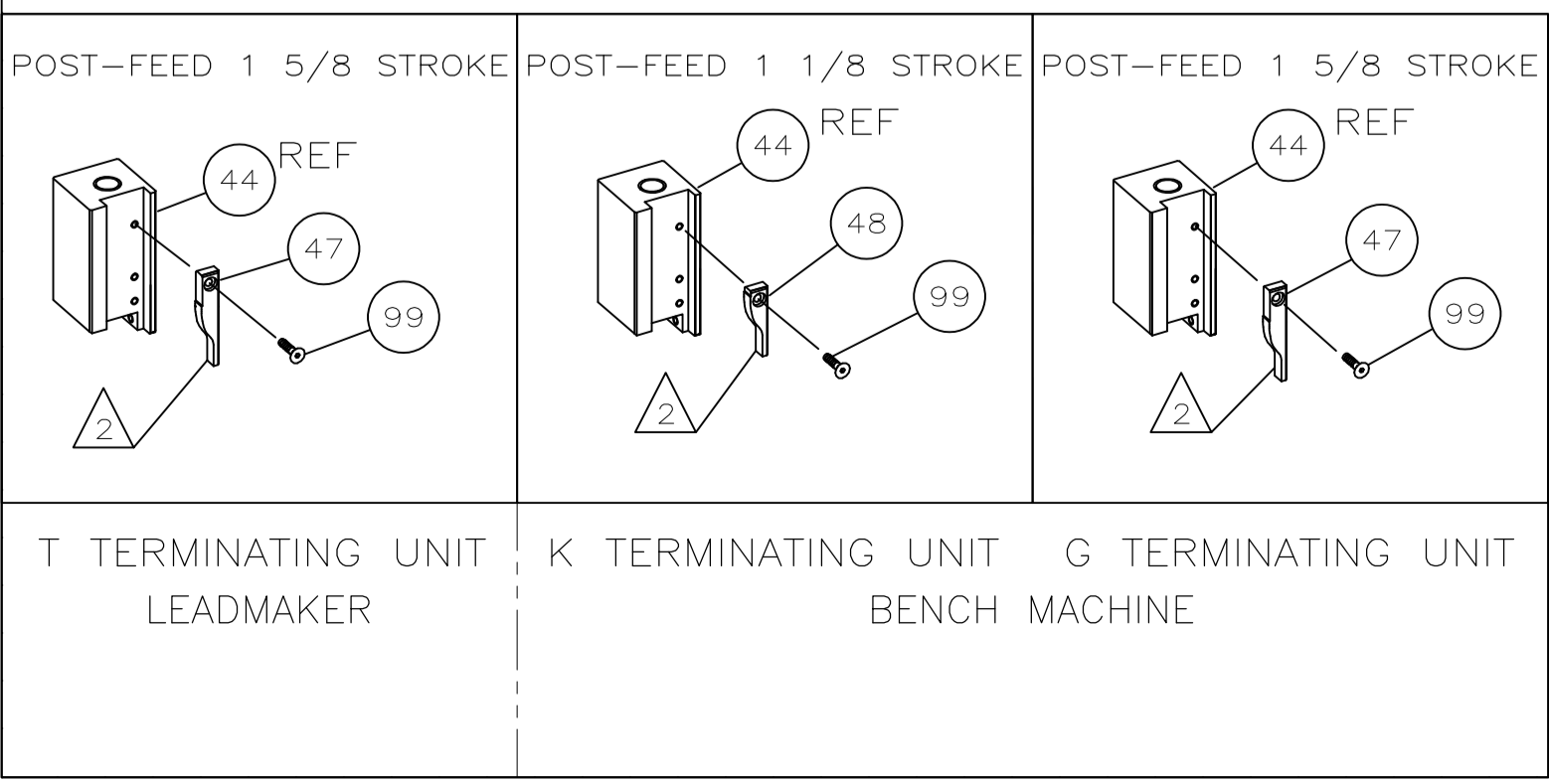
LOC	DIST	REV	DESCRIPTION	DATE	BY	APPV
A	66					
		N1	ECR-09-009221	4-2009	MY	GB

REV	DESCRIPTION	DATE
-1	LEADMAKER	MECH-POST FEED
-2	BENCH MODEL K	MECH-POST FEED
-3	BENCH MODEL G	MECH-POST FEED



QTY	REQD	PER ASSY	PART NO	DESCRIPTION	ITEM NO	
2	2	-	354779-4	PIN, WIRE DISC (.3010)C	129	
2	2	-	9-354778-1	PIN, WIRE DISC (.2950)B	127	
2	2	-	6-354778-9	PIN, WIRE DISC (.2840)A	126	
1	1	-	986950-1	WASHER, FLAT PRECISION	125	
REF	REF	-	21045-3	RING, RET "C" (Ø.187) FD PIN	124	
REF	REF	-	5-21028-1	PIN, STD SPRING (Ø.12) FD ADJ ROD	122	
REF	REF	-	1-21030-7	PIN, DOWEL (Ø.187x1.50) HSG	120	
REF	REF	-	1-21030-1	PIN, DOWEL (Ø.187x.50) LEVER	119	
REF	REF	-	21899-4	WASHER, FLAT (Ø5/16) SCR ADJ	116	
REF	REF	-	21024-5	WASHER, LOCK (NO.10) FD ADJ PL	114	
2	2	-	21024-5	WASHER, LOCK (NO.10) SHEAR PL	113	
REF	REF	-	21024-5	WASHER, LOCK (NO.10) FD ROD GDE	112	
7	7	-	21024-4	WASHER, LOCK (NO.8) SHEAR BL	110	
2	2	-	21018-4	NUT, HEX (4-40) DRAG	108	
REF	REF	-	21018-5	NUT, HEX (6-32) FD ADJ PL	107	
2	2	-	21022-2	NUT, HEX SL (8-32) DRAG STUD	105	
2	2	-	4-21078-8	SKT SKT SET (4-40x.75) DRAG	102	
1	1	-	21009-2	SCR, SKT SET (1/4-20x.25) RAM	101	
2	2	-	21017-2	SCR, DRIVE (#2x.19) ID PLATE	100	
1	1	-	1-21002-7	SCR, BHC (6-32x.38) CAM	99	
1	1	-	461264-1	PLATE, IDENTIFICATION	98	
REF	REF	-	6-23715-5	SCR, PAN HD (6-32x1.50) FEED ADJ	97	
2	2	-	2-21002-2	SCR, BHC (8-32x.50) STRIPPER	95	
REF	REF	-	2-21002-9	SCR, BHC (10-32x.75) HSG CAP	94	
1	1	-	22733-8	SCR, BHC (8-32x.38 LW) ANVIL	93	
4	4	-	3-21002-3	SCR, BHC (1/4-20x.50) ST GD PL	92	
REF	REF	-	2-22733-8	SCR, BHC (1/4-20x.62) BASE PL	91	
90					90	
89					89	
88					88	
2	2	-	2-21000-7	SCR, SHC (8-32x.50) SLUG BLADE	87	
3	3	-	2-21000-6	SCR, SHC (8-32x.38) STRIP GUIDE	86	
2	2	-	2-21000-9	SCR, SHC (8-32x.75) R STRIP GUIDE	85	
REF	REF	-	3-21000-7	SCR, SKT CAP (10-32x.75) FD GDE	84	
REF	REF	-	3-21000-6	SCR, SKT CAP (10-32x.62) FD ADJ P	82	
REF	REF	-	3-21000-4	SCR, SKT CAP (10-32x.38) PIVOT BL	81	
2	2	-	3-21000-8	SCR, SKT CAP (10-32x.88) SH PL	80	
-	REF	-	455745-1	GUARD, WINDOW	79	
REF	-	-	679532-1	INSERT, GUARD	78	
-	1	-	465184-9	LUBRICATOR ASSY	77	
-	1	-	454406-1	SPACER, LUB BRACKET	76	
1	1	-	690603-1	SPRING, ASSIST	74	
1	1	-	23030-1	SCR, SKT CAP (6-32x.25) CP DSC	73	
REF	REF	-	458109-1	WASHER, FLAT (SPECIAL)	72	
REF	REF	-	690517-1	SPACER	71	
-3	-2	-1	U/M	PART NO	DESCRIPTION	ITEM NO

QTY	REQD	PER ASSY	PART NO	DESCRIPTION	ITEM NO
2	2	-	240628-1	NUT, HEX	70
REF	REF	-	240626-1	PLATE, ADJ	69
REF	REF	-	240626-1	SHAFT, PIVOT	68
REF	REF	-	240633-1	BUSHING	67
REF	REF	-	455680-1	LEVER, INTERMEDIATE	66
REF	REF	-	240629-1	BLOCK, PIVOT	65
REF	REF	-	240632-2	SCR, ADJ	64
REF	REF	-	240659-3	PIN, CAM ROLLER	63
REF	REF	-	240658-1	CAM, ROLLER	62
REF	REF	-	454398-1	ROD, FEED	61
REF	REF	-	454220-1	CAP, RAM	59
REF	REF	-	453736-1	HOUSING	58
REF	REF	-	240624-1	PIN, FEED FINGER	55
REF	REF	-	691499-1	SPRING, FEED FINGER	54
REF	REF	-	240635-1	FINGER, FEED	53
REF	REF	-	240634-1	LEVER, TERMINAL	52
REF	REF	-	690501-3	CAM, POST FEED 1 1/8 ST	48
1	-	-	690501-4	CAM, POST-FEED 1 5/8 ST	47
1	1	-	690191-1	PLUG, NYLON	45
1	1	-	455674-1	RAM	44
1	1	-	690125-1	WASHER, LAMINATED	43
1	1	-	690124-1	WASHER, RAM	42
1	1	-	7-21002-9	BOLT, CRIMPER (5/16-24x1.00)	41
1	1	-	23241-6	BALL, STEEL	40
1	1	-	690170-1	SPRING, COMPRESSION	39
1	1	-	690142-1	DISC, INSULATION	38
1	1	-	354777-1	WIRE DISC, PLASTIC	37
1	1	-	22480-5	WASHER, SPRING	36
1	1	-	690212-1	POST, RAM	35
1	1	-	458980-1	APPLICATOR, BASIC (SUB ASSY)	32
1	1	-	3-690451-2	SPACER, STRIPPER	28
1	1	-	240639-1	STRIPPER	27
REF	REF	-	455676-1	PLATE, BASE	26
2	2	-	22354-8	DRAG, STUD	25
1	1	-	455678-1	PLATE, STRIP GUIDE	24
1	1	-	240825-1	PLATE, STRIP HOLD DOWN	23
2	2	-	4-22281-1	SPRING, DRAG	22
1	1	-	454177-1	DRAG, STOCK	20
2	2	-	454204-3	GUIDE, STRIP (FRONT)	18
REF	REF	-	454178-1	GUIDE, FEED ROD	17
REF	REF	-	4-22284-9	SPRING, FEED RETURN	16
1	1	-	690481-3	SPACER, HOLD DOWN	13
1	1	-	23846-1	SPRING, HOLD DOWN	12
1	1	-	240833-7	PLATE, REAR SHEAR	11
2	2	-	1-240645-6	SPACER, FRONT SHEAR	10
1	1	-	690796-1	PLATE, FRONT SHEAR	9
1	1	-	2-240693-2	ANVIL	8
1	1	-	240651-7	BLADE, SLUG	7
1	1	-	2-455892-5	HOLD DOWN, TERMINAL	6
1	1	-	2-240641-4	SPACER, SLUG BLADE	5
1	1	-	238009-1	SPACER, BLOCK CRIMPER	4
1	1	-	1-456134-2	CRIMPER, INSULATION	3
1	1	-	455888-5	SPACER, CRIMPER	2
1	1	-	2-456408-8	CRIMPER, WIRE	1



- 1 RECOMMENDED SPARE PARTS.
- 2 GREASE LIGHTLY.
- 3 GUARD MUST BE IN PLACE WHEN OPERATING APPLICATOR IN A BENCH MACHINE.
- 4 LUBRICATE DAILY USING NO. 20 MACHINE OIL.
- 5. ITEMS WITH QTY OF REF SPECIFIED (EXCEPT ITEMS 78 AND 79) ARE USED ON ITEM 32.
- 6 LUBRICATION REQUIRED WITH SILVER PLATED TERMINALS

THIS DRAWING IS A CONTROLLED DOCUMENT.

DIN R O WILSON 3/31/94
CHK C FRISMAN 4/1/94
APPV E KOOTIE 4/1/94

Tyco Electronics Corporation
Harrisburg, PA 17105-3608

END FEED HDM APPLICATOR

SIZE: A1
CAGE CODE: 00779
DRAWING NO: 466082

CUSTOMER DRAWING