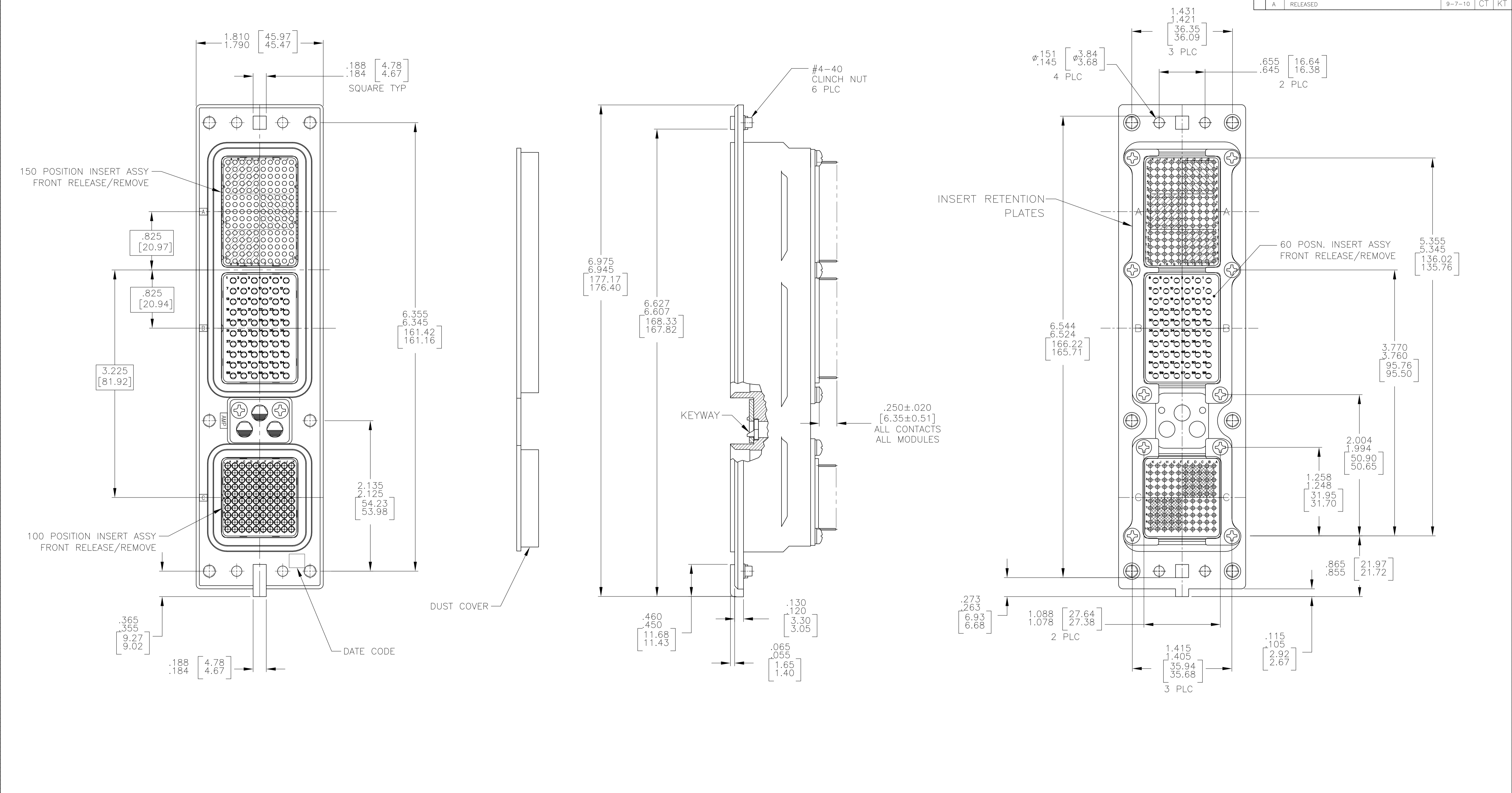


REVISONS		DATE	DN	APVD
P	LTR	DESCRIPTION		
A	RELEASED		9-7-10	CT KT



- CONNECTOR DIMENSIONS ARE PER ARINC 600 SPECIFICATION
- DUST COVER INSTALLED FOR SHIPPING.
- KEYING SHOWN IN POSITION "01" FOR REFERENCE ONLY. SEE TABLE FOR KEYING POSITION. FOR POSITION "00" KEYING SHIPPED UNASSEMBLED.
- CONTACTS NOT SHOWN IN FRONT AND REAR VIEWS FOR CLARITY.

COMPONENT	MATERIAL	FINISH
SHELL	DIE CAST ALUMINUM PER ASTM-B-85	ELECTROLESS NICKEL PER MIL-C-26074
INSERT RETENTION PLATES	ALUMINUM ALLOY PER ASTM-B-209	ELECTROLESS NICKEL PER MIL-C-26074
SCREWS AND LOCKWASHERS	STEEL OR STAINLESS STEEL	CHROMATE OVER ZINC OR PASSIVATED
POLARIZING KEYS	ZINC ALLOY PER ASTM-B-86	-
POLARIZING KEY RETAINING PLATE	ALUMINUM ALLOY PER ASTM-B-209	BLUE ANODIZED PER MIL-A-8625
INSERTS	THERMOSET OR THERMOPLASTIC PPS PER MIL-M-24519	-
DUST COVER	CONDUCTIVE THERMOPLASTIC	-

NIC66GN402FF00SB0	"00"	MODULE A 211431-4 (SZ 22 POSTED SOCKET CONTACT; QTY=150) MODULE B 1-448138-2 (SZ 20 POSTED PIN CONTACT; QTY=60) MODULE C 211431-4 (SZ 22 POSTED SOCKET CONTACT; QTY=100)	2157108-1
DESCRIPTIVE NUMBER	KEYING POSITION	CONTACTS INCLUDED AND INSTALLED	PART NUMBER
THIS DRAWING IS A CONTROLLED DOCUMENT.		DIMENSIONS: INCHES (mm) TOLERANCES UNLESS OTHERWISE SPECIFIED: 0 PLC ± - 1 PLC ± - 2 PLC ± - 3 PLC ± - 4 PLC ± - ANGLES ± -	
MATERIAL SEE TABLE		FINISH SEE TABLE WEIGHT - CUSTOMER DRAWING	
DYN C.C.THOMAS 9-7-10 CHK K.THACKSTON 9-7-10 APVD K.THACKSTON 9-7-10		Tyco Electronics Corporation Harrisburg, PA 17105-3608 NAME RCPT ASSY, SIZE 2, ARINC 600 (150/60/100), FR SIZE A1 CAGE CODE 00779 DRAWING NO. 2157108 RESTRICTED TO - SCALE 3:2 SHEET 1 OF 1 REV A	