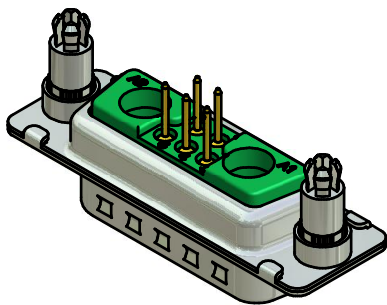
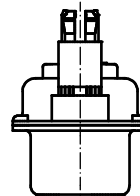
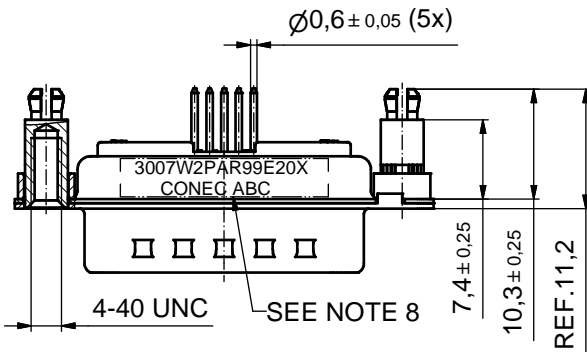
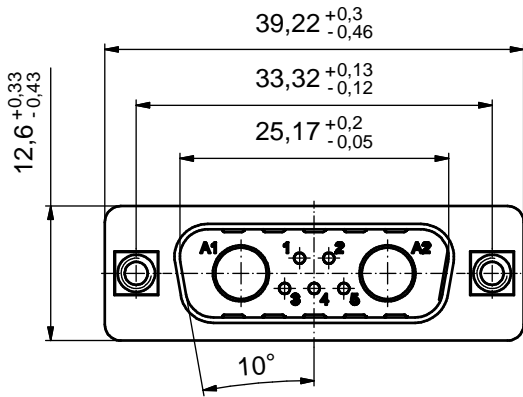
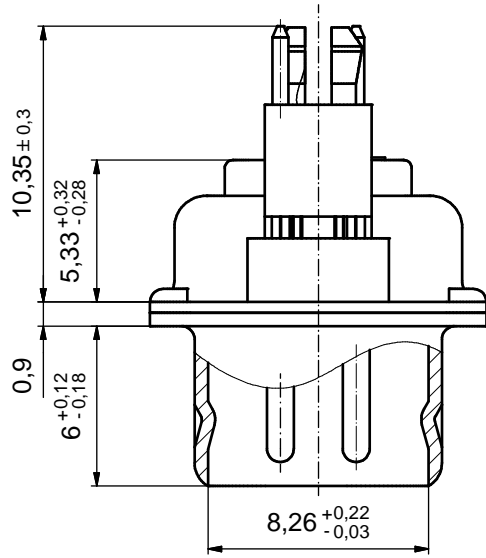


P.C.B. HOLE DRILLINGS
 (P.C.B. TOP SIDE)

(5:1)



NOTES:

- METALSHELLS: STEEL; min. 315µin TIN over 40-80µin NICKEL
- INSULATORS: PBT GF UL 94 V-0, GREEN
- SIGNAL CONTACTS: COPPER ALLOY
 PLATING: 8µin HARD GOLD over min.. 50µin NICKEL
- NO CONTACTS ON POS. A1 + A2
- THREADED SPACER CLIP: COPPER ALLOY; min. 200µin TIN over 80µin NICKEL
 PCB-HOLE: $\varnothing 3.1 \pm 0.1$; PCB THICKNESS 1,6mm
- COLLAR: COPPER ALLOY; min. 200µin TIN over 80µin NICKEL
- MAXIMUM TORQUE VALUE FOR THREAD: 6 in.LB
- CONNECTOR IS PART MARKED: 3007W2PAR99E20X CONEC ABC

Directive 2002/95/EC
 "RoHS"
 Compliant

APPROVAL # FREIGABE # DEBLOCAGE # AUTORIZACION # APPROVAL

CUSTOMER APPROVAL DATE:

NAME: TITLE:

COMPANY NAME:

APPROVAL # FREIGABE # DEBLOCAGE # AUTORIZACION # APPROVAL

THIS DRAWING MAY NOT BE COPIED OR REPRODUCED IN ANY WAY, AND MAY NOT BE PASSED ON TO A THIRD PARTY WITHOUT WRITTEN PERMISSION. OWNERSHIP AND COPYRIGHT OF CONEC GmbH

DO NOT ALTER CAD DRAWING BY HAND

rev.	description	date	name
a	Origin		

tolerance

dim. in mm

date	name
drawn: 09.07.2010	Henneboel
appd.: 09.07.2010	Koch
norm	
d-old	

CONEC

scale: 2:1 (5:1)

material: SEE NOTES

title: D-SUB COMBINATION MALE
 7W2P
 with threaded spacer clip

dwg no: Inventor 10 DIN-A3
 13K1A3312 sh: 1

part no: 3007W2PAR99E20X