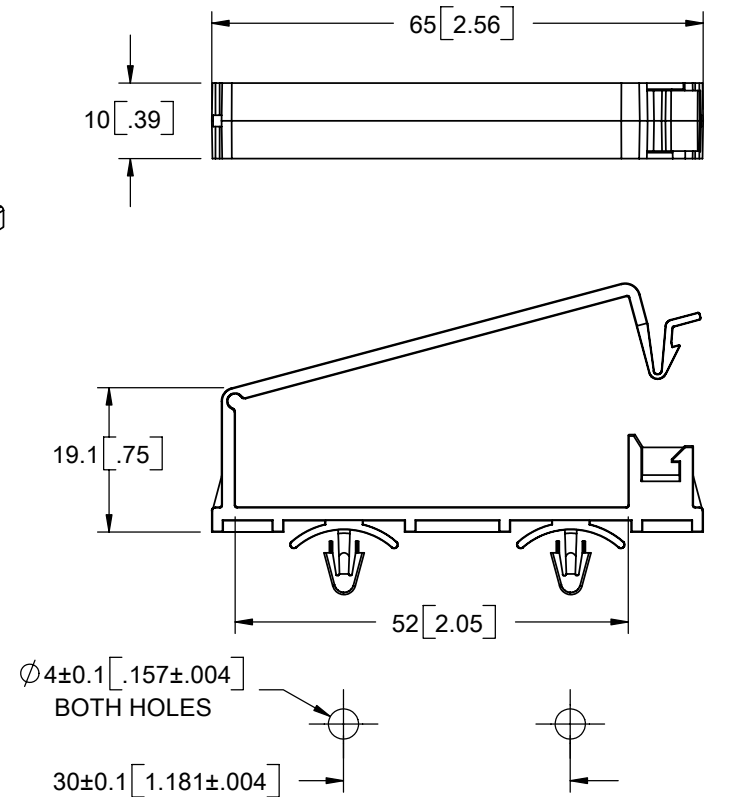
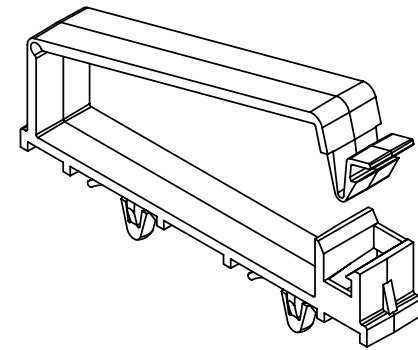
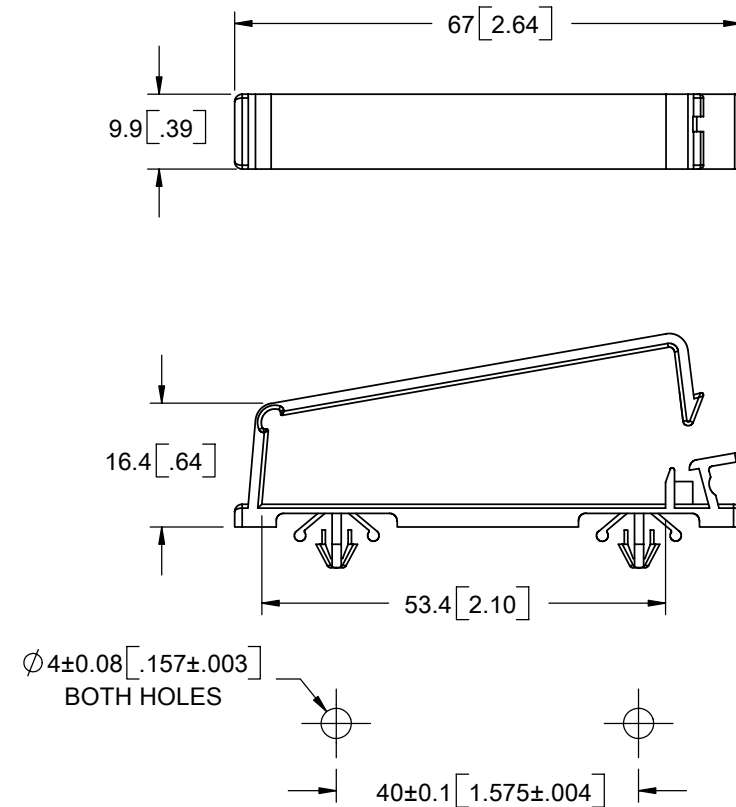
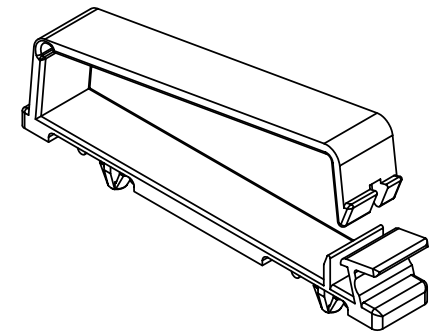


### FCCA-30A-01



MOUNTING HOLE DETAIL  
PANEL THICKNESS RANGE: 0.75 -2 [.030-.079]

### FCCA-40A-01



MOUNTING HOLE DETAIL  
PANEL THICKNESS RANGE: 1 -2 [.039-.079]

- NOTES:  
 1. MATERIAL: NYLON 6/6 UL 94 V-2 (RMS-01).  
 NYLON 6/6 UL 94 V-0 (RMS-19),  
 AVAILABLE BY SPECIAL ORDER ONLY  
 2. COLOR: NATURAL.  
 3. ALTERNATE UNITS FOR REFERENCE ONLY

REV.	DESCRIPTION	ENGR.	DATE
C	SEE ECN #1193 FOR CHANGES	SK	07/11/06

TITLE: <b>FLAT CABLE CLAMP WITH ARROWHEADS</b>				DWG IN MM [IN]			
CREATED USING SOLIDWORKS	FILE #: FCCA-XXA	DWN: SK	APP: D.J.Z.	FINAL			
GENERAL TOLERANCE UNLESS NOTED ±0.25	SHEET: 1 OF 1	SHEET SIZE: B	DT: 06/07/06	CHKD: S.J.	PART #		PRINT TYPE
RE: RICHCO, INC.		RICHCO, INC. ENG@RICHCO-INC.COM (773) 539-4060		SEE DRAWING		CA	