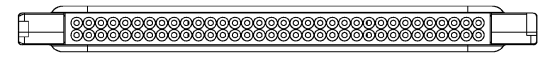
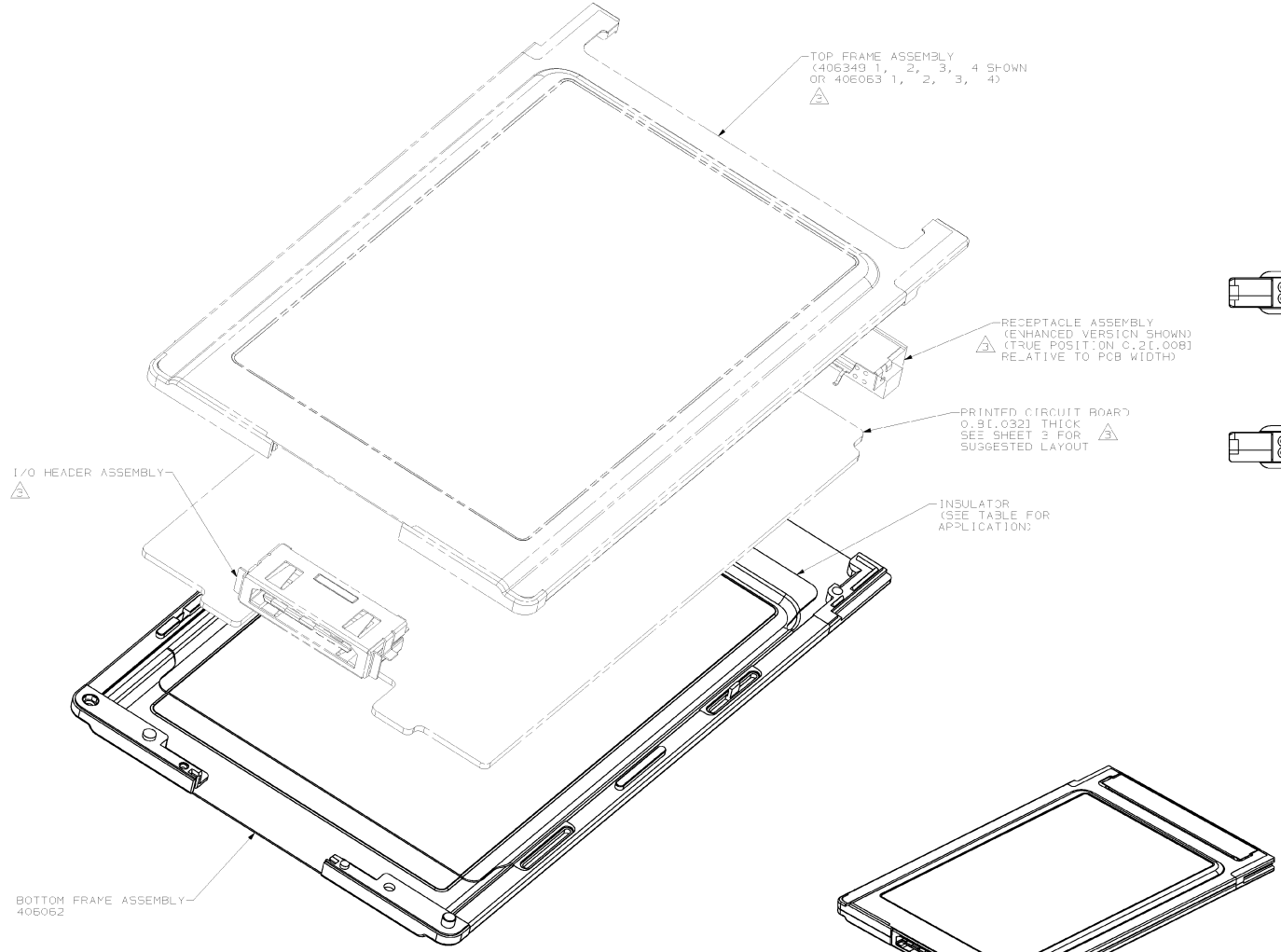
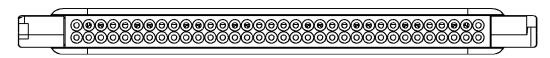


REV	DATE	DESCRIPTION	BY	CHKD	APP'D
AA	23				
C		OBSOLETE: -1, -2 & -5; CC 0511-0075-02 25NOV02	DD	KK	

- △ MATERIAL: STAINLESS STEEL AND BLACK NYLON MOLDING COMPOUND.
- 2. FRAME ASSEMBLY CONFORMS TO PCMCIA DIMENSIONAL STANDARDS.
- △ ITEMS INDICATED ARE SHOWN FOR REFERENCE ONLY TO SHOW RELATIONSHIP OF FRAME ASSEMBLY 406062 IN COMPLETELY ASSEMBLED PCMCIA CARD.
- △ RECESSED AREA SHALL ACCOMMODATE A LABEL SIZE OF 38.6(1.52) X 63.8(2.51) X 0.08(1.003) MAXIMUM THICKNESS.
- △ DIMENSION APPLIES TO AREA UNDER LABEL RECESS.



5 VOLT KEYING

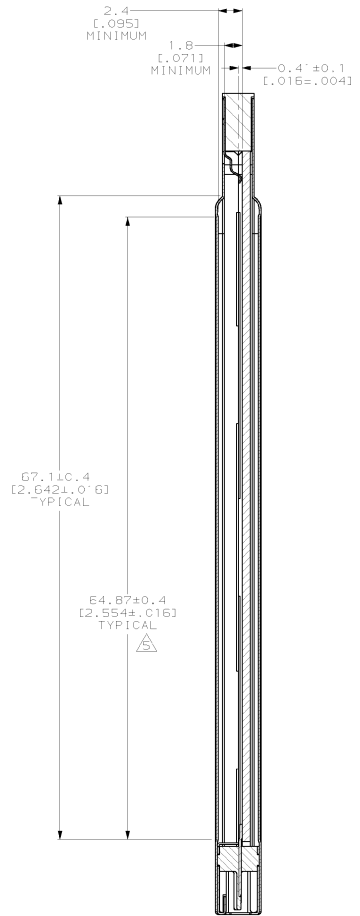
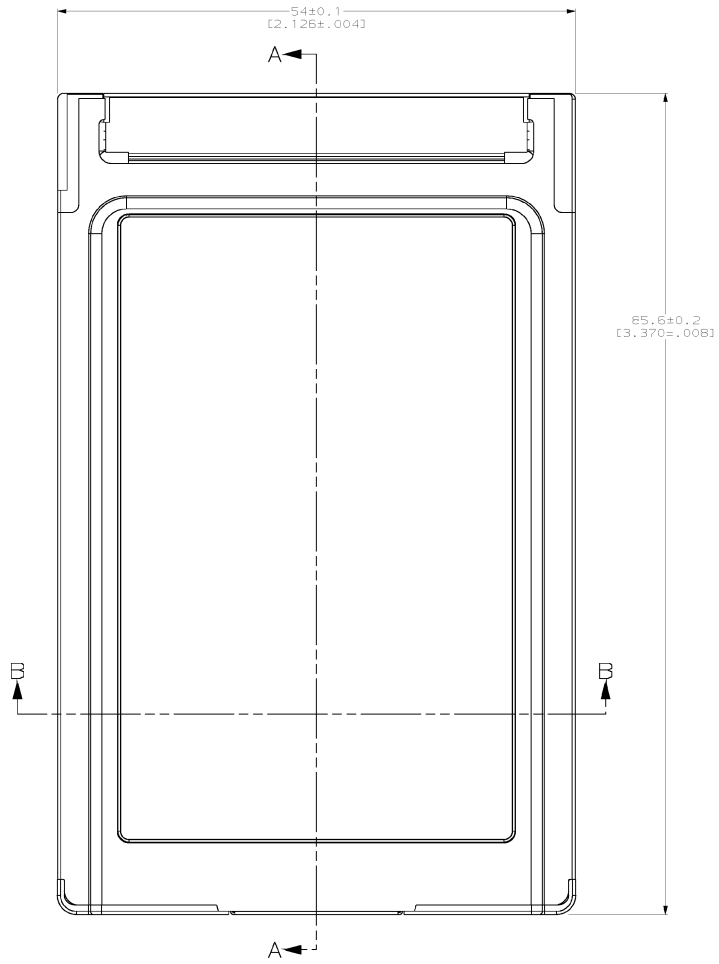


LOW VOLTAGE KEYING

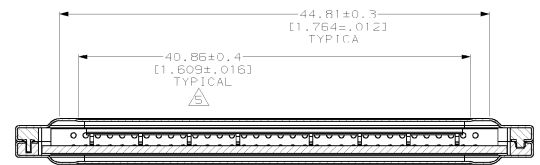
PART STATUS	KEY	DESCRIPTION	PART NUMBER
OBSOLETE	LV	WITHOUT LABEL RECESS INSULATED	406052-8
AVAILABLE	LV	△ WITH LABEL RECESS INSULATED	406052-7
OBSOLETE	LV	WITHOUT LABEL RECESS	406052-6
NOT AVAILABLE	LV	△ WITH LABEL RECESS	406052-5
OBSOLETE	EV	WITHOUT LABEL RECESS INSULATED	406052-4
AVAILABLE	EV	△ WITH LABEL RECESS INSULATED	406052-3
OBSOLETE	EV	WITHOUT LABEL RECESS	406052-2
NOT AVAILABLE	EV	△ WITH LABEL RECESS	406052-1

FULLY ASSEMBLED CARD
SCALE 2:1

THIS DRAWING IS A CONTROLLED DOCUMENT.		DATE: 11/17/01 AM	13/0001	AMP	AMP Incorporated Morrisville, PA 17105-3608
OPERATIONS: REV LINK/PLS/J	DATE: 01/16/01	BY: SEB/MLB	02/04/01	REV: 0	
PRODUCT SPEC	APPLICATION SPEC	WEIGHT	SCALE	CUSTOMER DRAWING	
MATERIAL: △	FINISH: -	STATE: A1	CASE CODE: 00779	DRAWING NO: C-406062	SCALE: 4:1 SHEET: 1 OF 3 REV: C

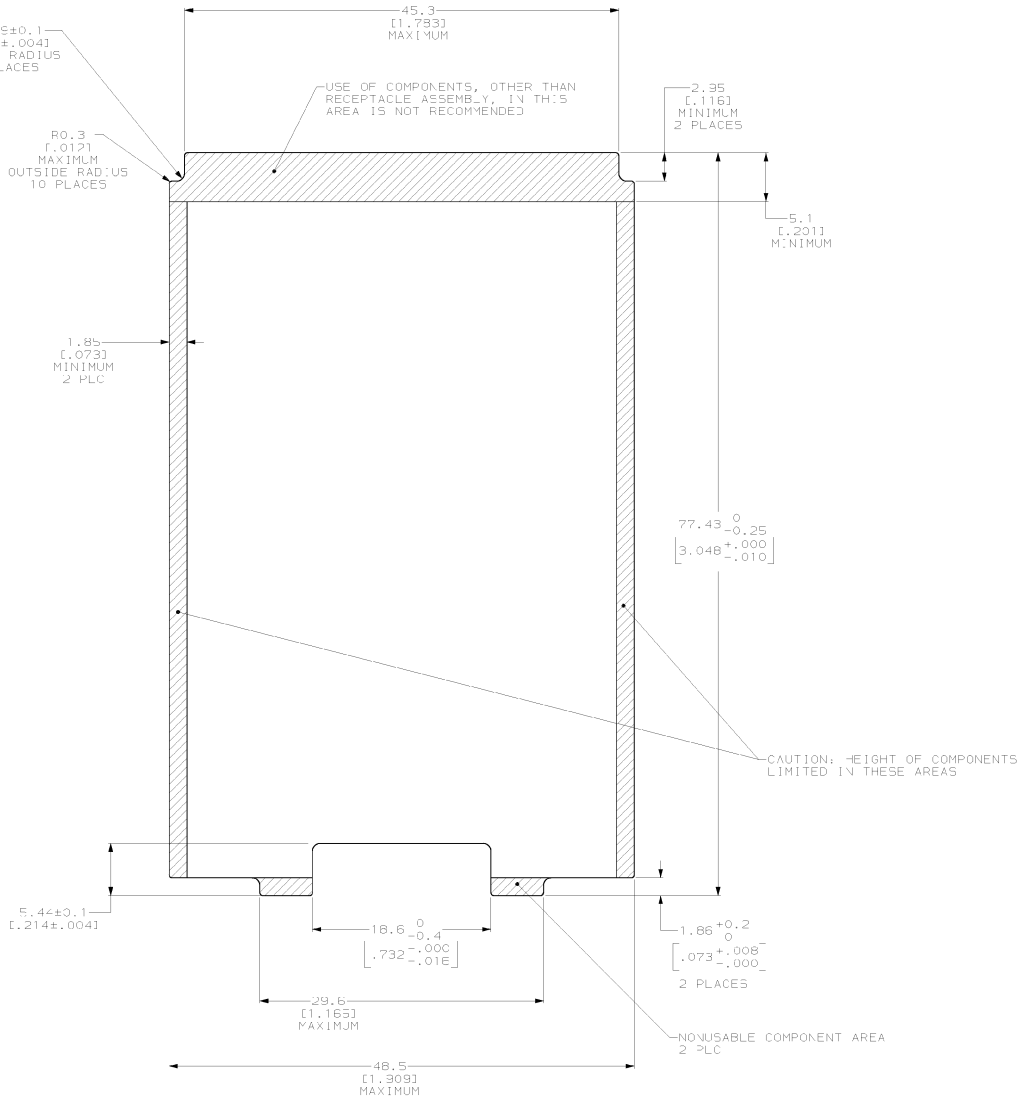
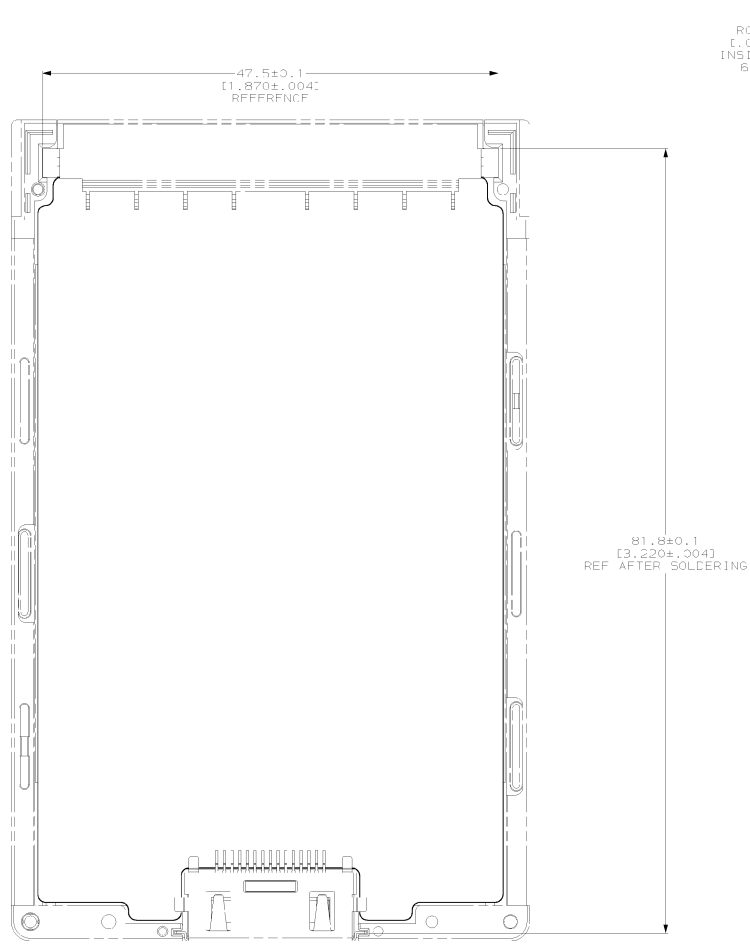


SECTION A-A



SECTION B-B

THIS DRAWING IS A CONTROLLED DOCUMENT.		DATE: 11/17/01 AM	133000	AMP Incorporated Hornltsburg, PA 17105-3608
REV: LINK/PLS/J		BY: SPIN/ML/E	02/21/02	
OPERATIONS:	OTHER DEPT.:	PRODUCT SPEC:	APPLICATION SPEC:	FRAME NO:
MATERIAL:	FINISH:	WEIGHT:	SCALE:	REV:
CUSTOMER DRAWING		A1 00779	C-406062	2 OF 3



PC BOARD LAYOUT - SUGGESTED

THIS DRAWING IS A CONTROLLED DOCUMENT.		REV: 1330001	AMP Incorporated Hornl sbu'g, PA 17105-3608
OPERATIONS	DATE: 11/17/01 AM	1330001	AMP
REV: LINK/PLS/J	DATE: 02/23/02	02/23/02	
OPERATIONS	DATE: 02/23/02	02/23/02	FRAME ASSEMBLY, TYPE II, SONIC WELD, BOTTOM
REV: LINK/PLS/J	DATE: 02/23/02	02/23/02	
OPERATIONS	DATE: 02/23/02	02/23/02	STATE: CASE CODE: DRAWING NO: A1 00779 C-406062
REV: LINK/PLS/J	DATE: 02/23/02	02/23/02	
OPERATIONS	DATE: 02/23/02	02/23/02	SCALE: 4:1 SHEET 3 OF 3 REV C
REV: LINK/PLS/J	DATE: 02/23/02	02/23/02	
MATERIAL	FINISH	WEIGHT	CUSTOMER DRAWING