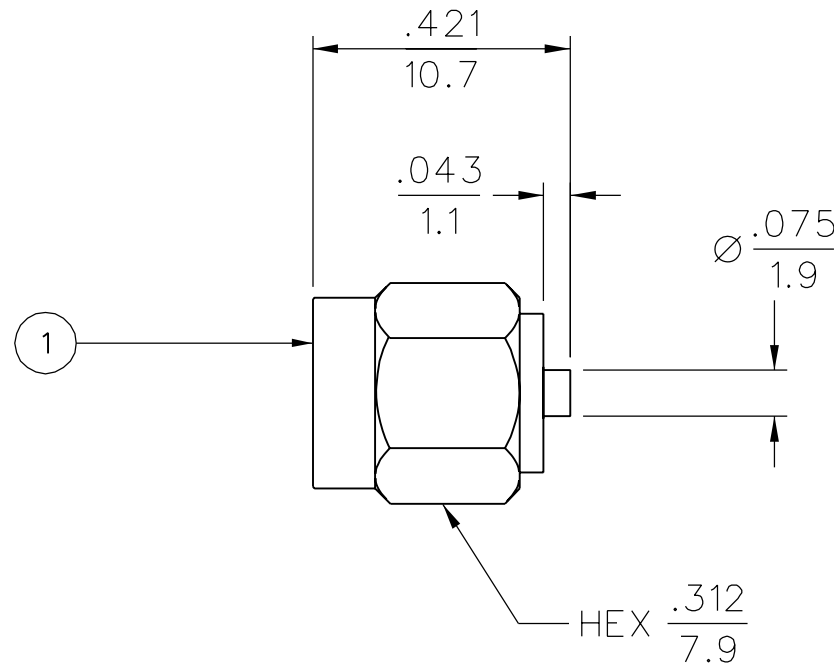


PART NUMBER	ITEM ① UMC TO SMA JACK CONVERSION ADAPTER
134-1019-361	BODY - STAINLESS STEEL - GOLD PLATED CONTACT - BRASS - GOLD PLATED NUT - STAINLESS STEEL - PASSIVATED INSULATOR - FLUORINE PLASTICS GASKET - RUBBER

DRAWING NO.	
B-	134-1019-361/370
0	REVISIONS
ENGINEERING RELEASE	
1	12-1-06 P A T   S B D   R J B   P D W   12-27-06 ECN 50793



CUSTOMER DRAWING

THIS DRAWING TO BE INTERPRETED PER ASME Y 14.5M - 1994

"μSTATION"

COMPANY CONFIDENTIAL

NOTES:

1. SPECIFICATIONS:

IMPEDANCE: 50 OHMS  
FREQUENCY RANGE: 0-6 GHz  
VSWR: 1.30 MAX AT 0-6 GHz

MECHANICAL (UMC):

COMPATIBILITY: MATES WITH U.FL SERIES  
DISENGAGEMENT FORCE (MIN): 0.15 N (FEMALE CONTACT)  
DURABILITY: 3000 CYCLES

ENVIRONMENTAL:

TEMPERATURE RANGE: -40° C TO +90° C

2. APPLICATION:

PLEASE USE THIS CONNECTOR FOR MEASURING THE PROPAGATION PERFORMANCE.

TOLERANCE UNLESS OTHERWISE SPECIFIED		DRAWN BY	DATE
DECIMALS	mm	SBD	11/29/06
.XX	_____	CHECKED BY	DATE
.XXX	REF _____	RJB	12-13-06
MATL _____		APPROVED BY	DATE
		PDW	12-22-06
FINISH _____		RELEASE DATE	12-27-06
		U/M INCH/mm	SCALE 3:1

 <b>cinch</b> CONNECTIVITY SOLUTIONS a bel group	<b>Cinch Connectivity Solutions</b> P.O. Box 1732 Waseca, MN 56093 1-800-247-8256	
	TITLE UMC JACK TO SMA PLUG CONVERSION JACK ADAPTER	
SHEET 2 OF 2	DRAWING NO. B - 134-1019-361/370	