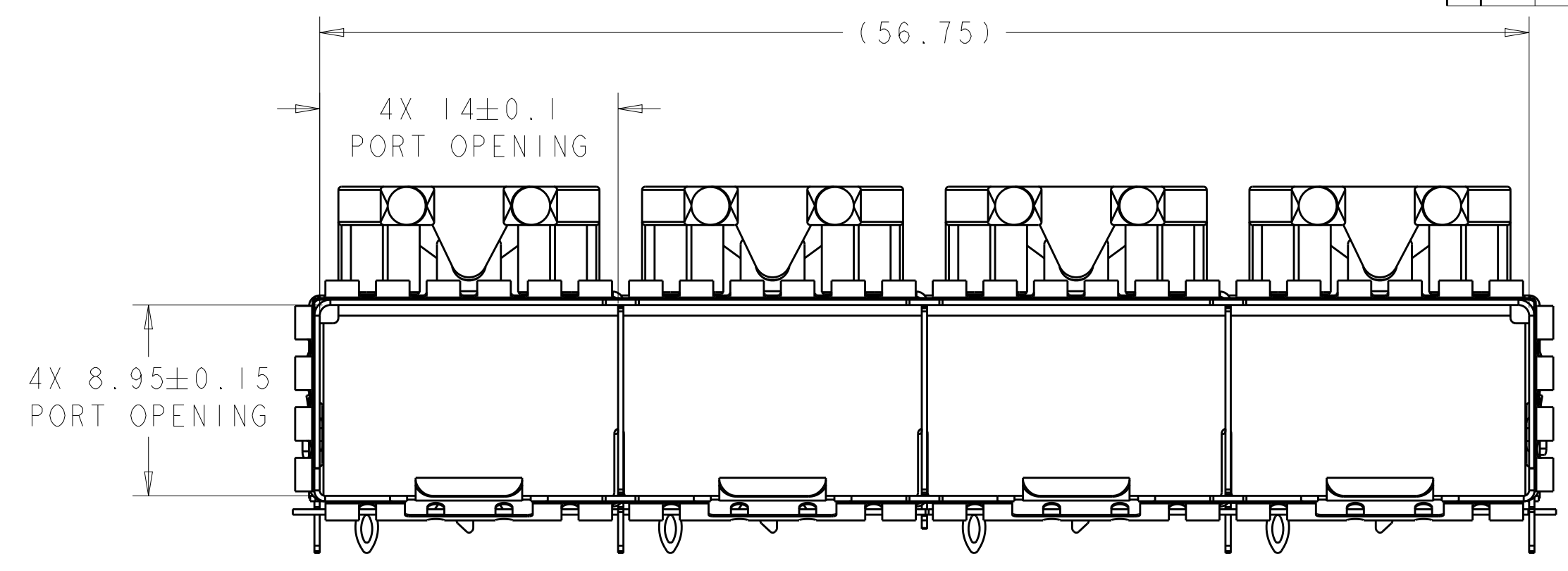
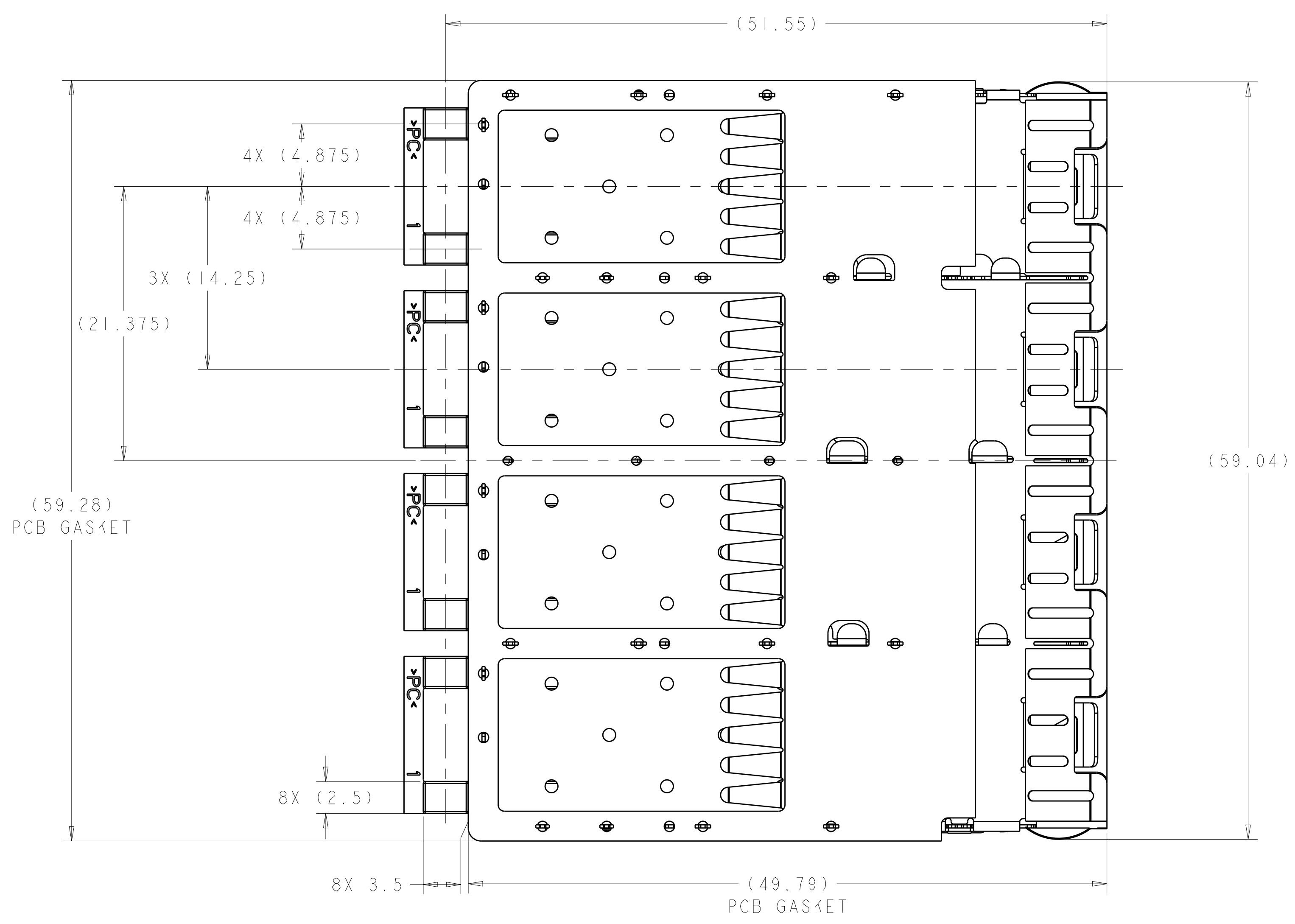
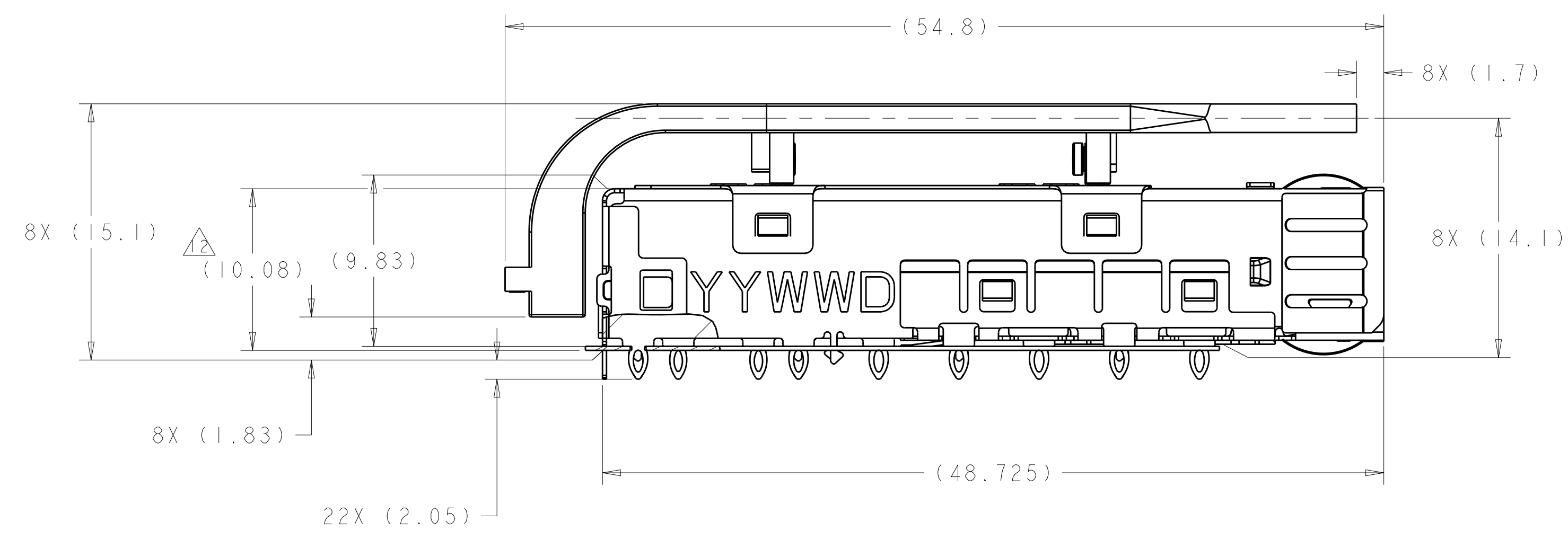
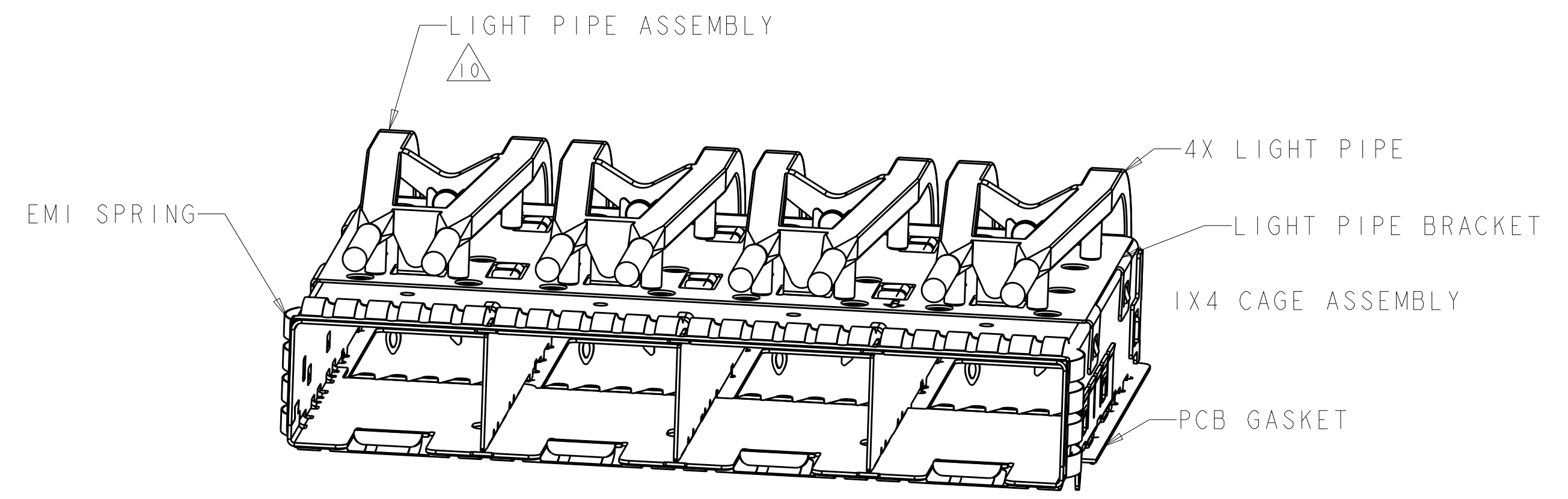


LOC		DIST		REVISIONS			
P	LTN	DESCRIPTION	DATE	DWN	APVD		
A		REVISED PER ECO-15-002647	05MAR2015	AP	MS		
B		REVISED PER ECO-16-014593	13FEB2017	JW	SH		



- 1 MATERIAL:
 CAGE ASSEMBLY: NICKEL SILVER ALLOY, (.025mm)
 GASKET RETENTION PLATE: STAINLESS STEEL
 EMI GASKET: PLATED FILLED SILICONE
 PCB GASKET: RF ABSORBER
 LIGHT PIPE BRACKET: STAINLESS STEEL
 LIGHT PIPE: POLYCARBONATE, CLEAR
- 2 MINIMUM PC BOARD THICKNESS:
 SINGLE SIDED = 1.45mm
 BELLY TO BELLY = 3mm
- 3 PADS AND VIAS CHASSIS GROUND
- 4 DATUM AND BASIC DIMENSION ESTABLISHED BY CUSTOMER
- 5. MATES WITH SFP MSA COMPLIANT TRANSCEIVERS
- 6. INTERPRETATION OF DATUM REFERENCE FRAME IN ACCORDANCE WITH SECT 4.4.1.1 OF ASME Y14.5M-1994
- 7 REFERENCE APPLICATION SPEC. 114-13120, HOLE A, FOR RECOMMENDED DRILL HOLE DIAMETER AND PLATING THICKNESS
- 8 REFERENCE APPLICATION SPEC. 114-13120, HOLE B, FOR RECOMMENDED DRILL HOLE DIAMETER AND PLATING THICKNESS
- 9 HOLE PATTERN REPEATS FOR EACH PORT, SPACING BETWEEN PORTS IS 14.25mm
- 10 LIGHT PIPE ASSEMBLY SHIPPED UNASSEMBLED TO CAGE ASSEMBLY, CAGE ASSEMBLY TO BE PRESSED INTO THE PCB PRIOR TO ATTACHING LIGHT PIPE ASSEMBLY TO CAGE
- 11. PRODUCT COMPLIES WITH SPECIFICATION SFF-8433, IMPROVED PLUGGABLE FORM FACTOR FOR SFP+ GANGED CAGES
- 12 CONTACT STANDOFF WILL PIERCE GASKET WHEN PROPERLY PRESSED INTO PCB.

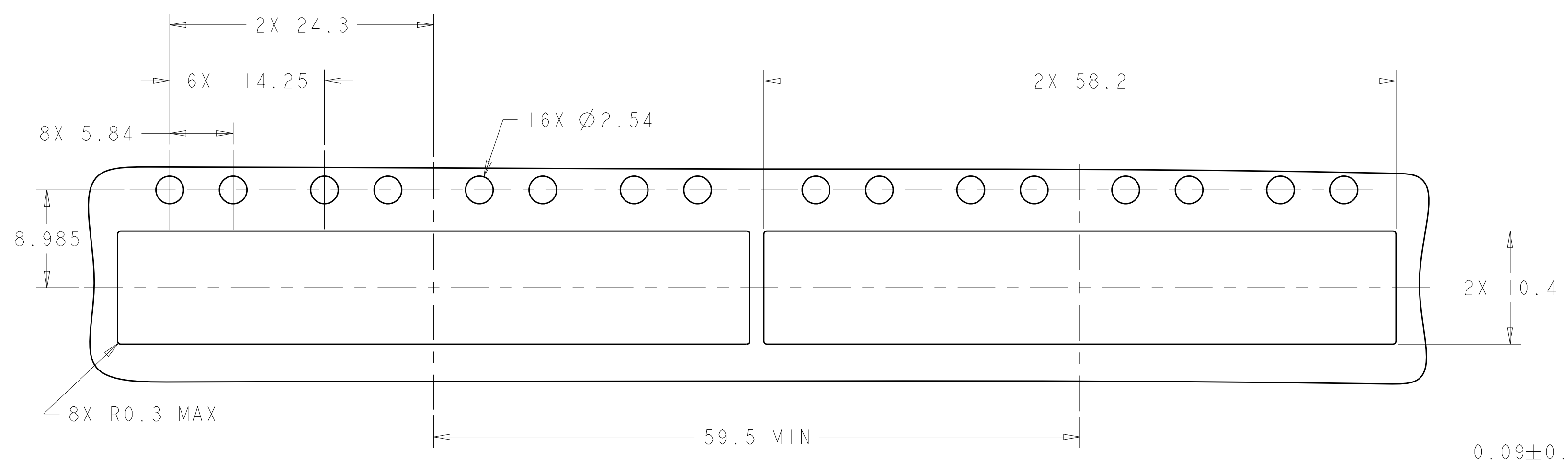


2227729-1
 SCALE 3:1

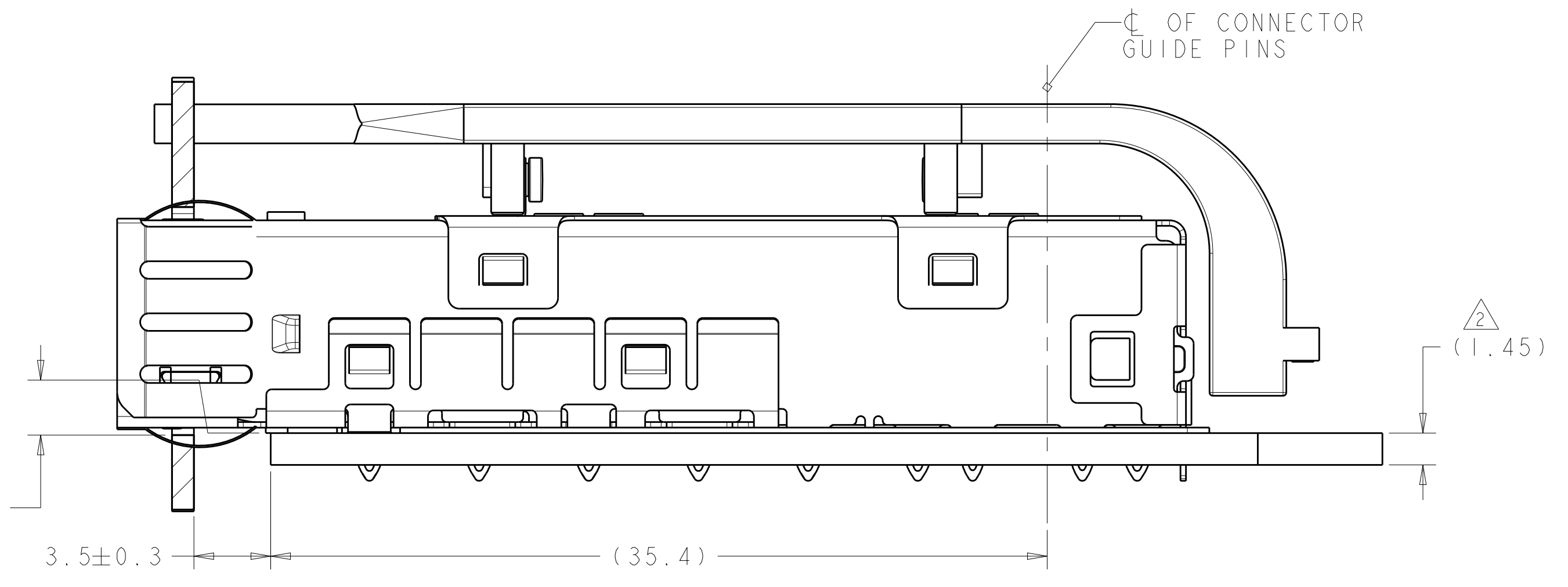
2227729-1
 PART NUMBER

THIS DRAWING IS A CONTROLLED DOCUMENT.		DWN: M.E. CONNER 19FEB2013	TE Connectivity
DIMENSIONS: mm		CHK: M.D. MORRISON 19FEB2013	
TOLERANCES UNLESS OTHERWISE SPECIFIED:		APVD: M.J. PHILLIPS 19FEB2013	NAME: CAGE ASSEMBLY WITH LIGHT PIPES, PRESS-FIT, EMI SPRINGS, 1X4, zSFP+
0 PLC ±0.1 1 PLC ±0.1 2 PLC ±0.08 3 PLC ±0.05 4 PLC ±0.05 ANGLES ±0.05		PRODUCT SPEC: 108-2364	
MATERIAL: SEE NOTES		APPLICATION SPEC: 114-13120	SIZE: CAGE CODE DRAWING NO: A100779C=2227729
FINISH: SEE NOTES		WEIGHT: -	RESTRICTED TO: -
		Customer Drawing	SCALE: 4:1 SHEET 1 OF 4 REV B

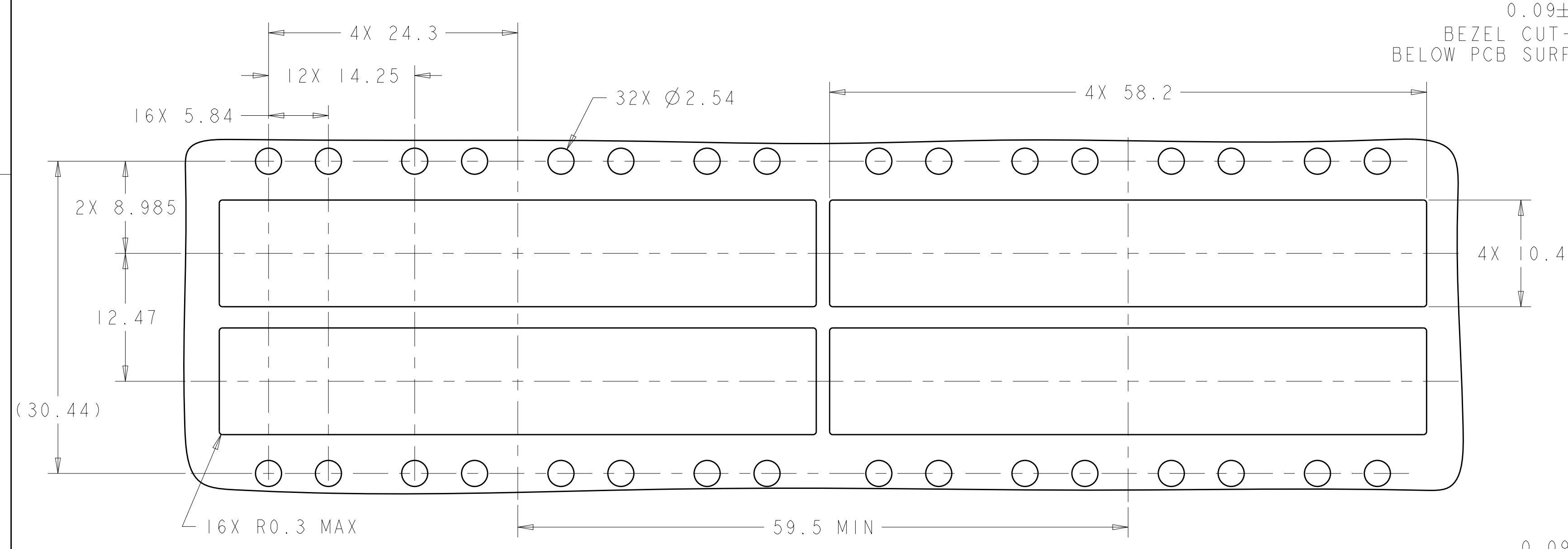
LOC		DIST		REVISIONS			
GP	00	P	LTN	DESCRIPTION	DATE	DMN	APVD
		-		SEE SHEET 1	-	-	-



RECOMMENDED BEZEL OPENING
 SINGLE SIDED APPLICATIONS
 SCALE 3:1



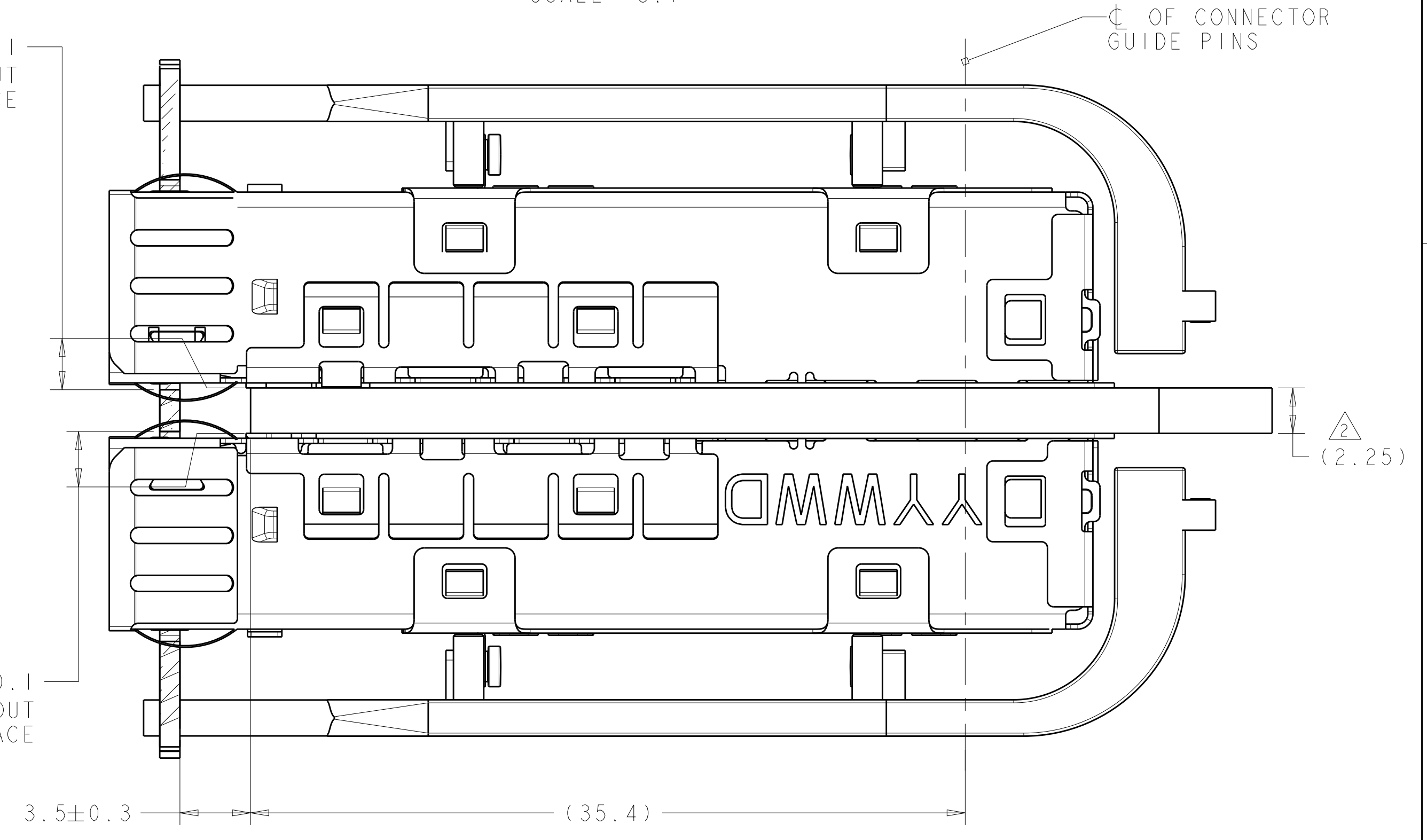
MOUNTED ON PC BOARD
 SHOWN THRU RECOMMENDED BEZEL
 SCALE 5:1



RECOMMENDED BEZEL OPENING
 BELLY TO BELLY APPLICATIONS
 SCALE 3:1

0.09±0.1
 BEZEL CUT-OUT
 BELOW PCB SURFACE

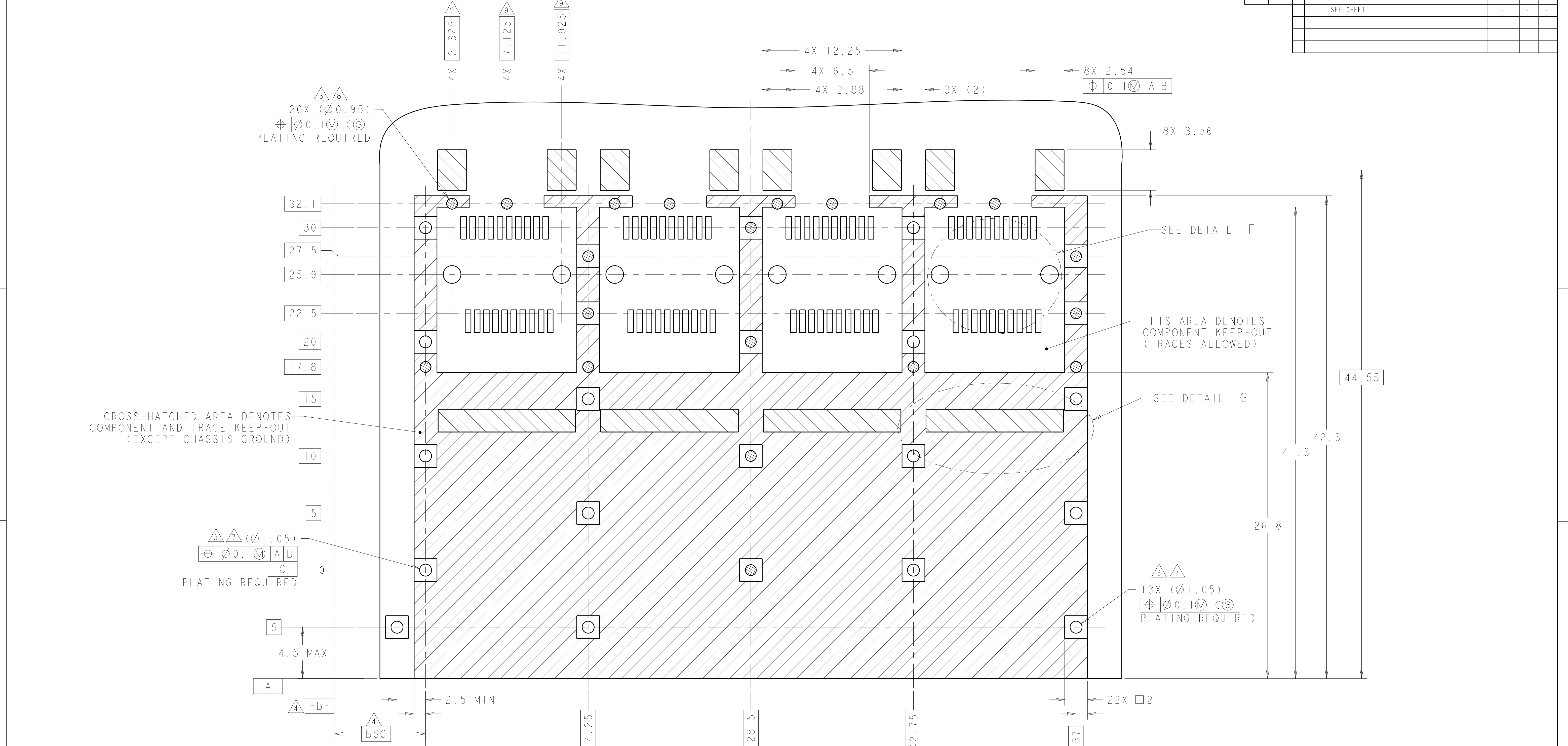
0.09±0.1
 BEZEL CUT-OUT
 ABOVE PCB SURFACE



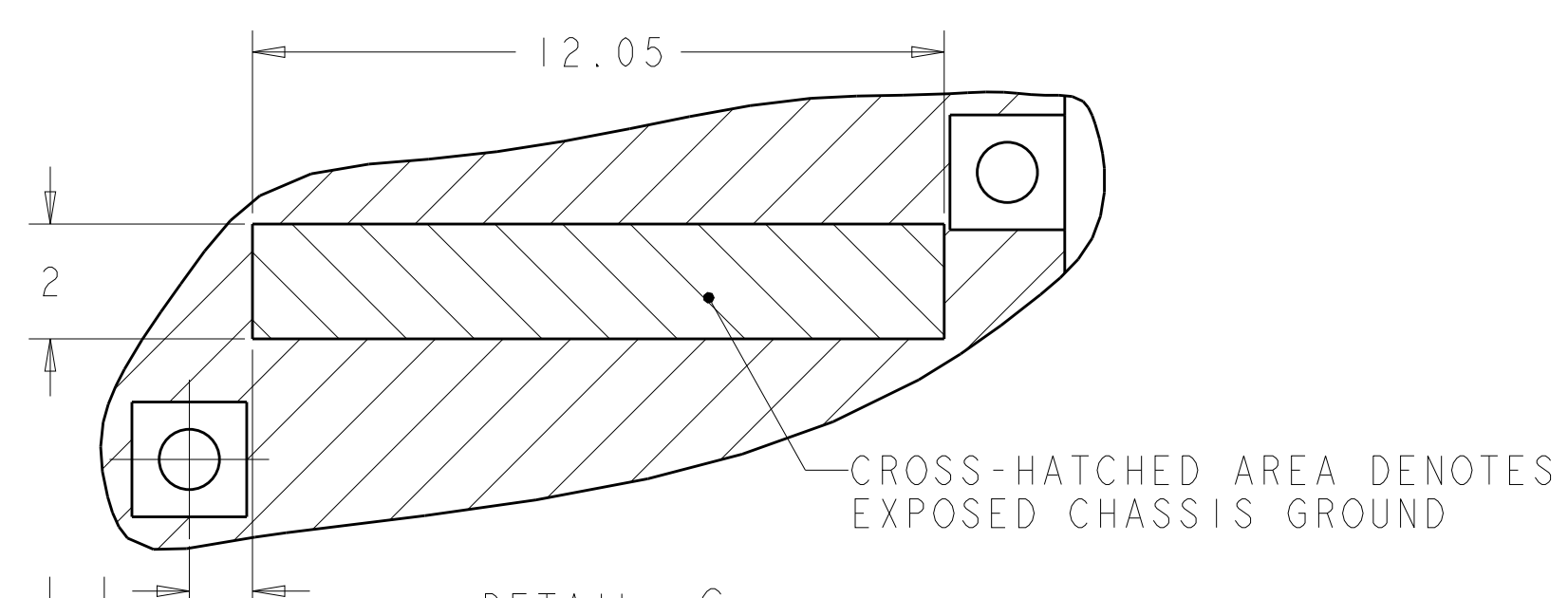
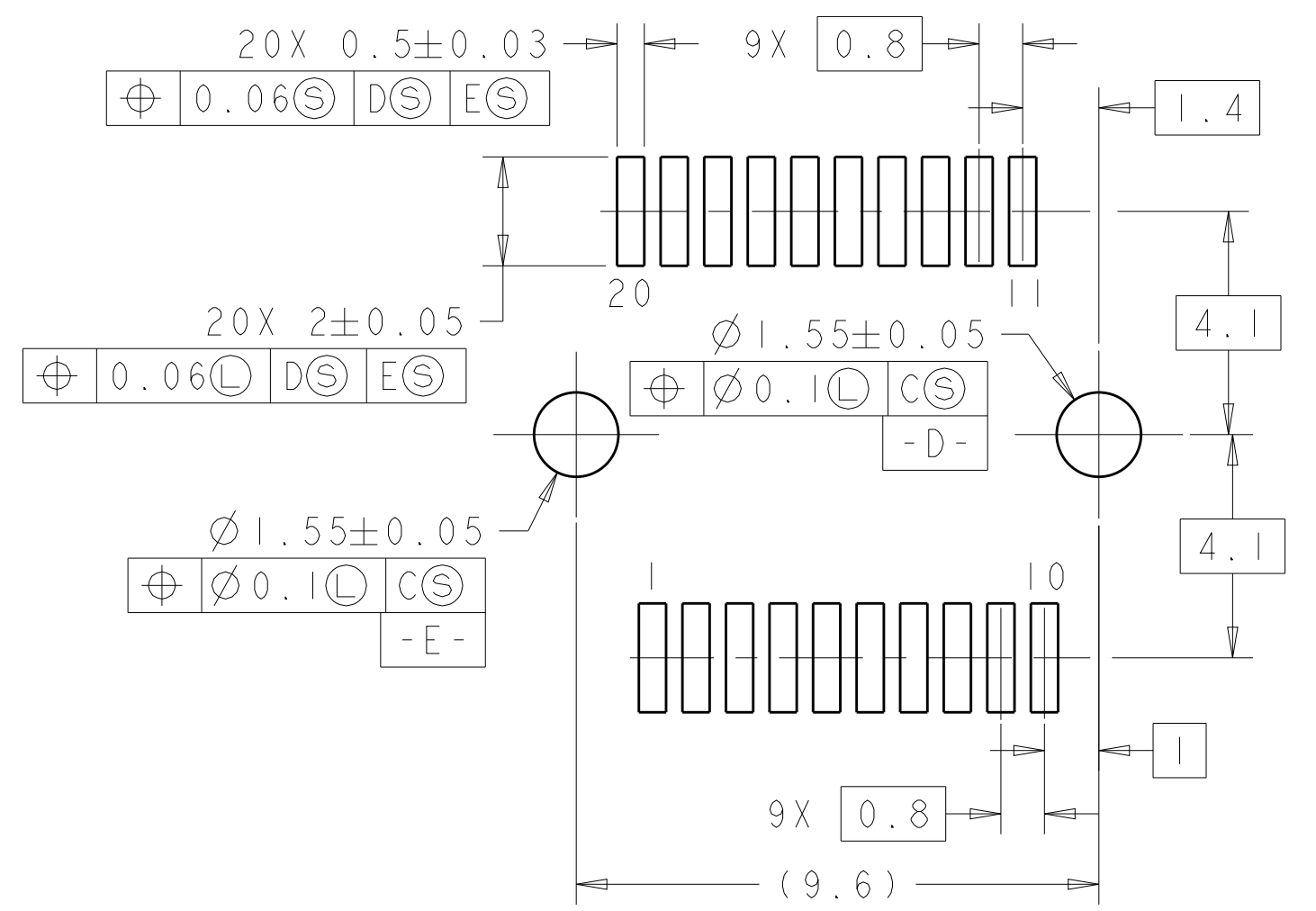
MOUNTED BELLY TO BELLY ON PC BOARD
 SHOWN THRU RECOMMENDED BEZEL
 SCALE 5:1

THIS DRAWING IS A CONTROLLED DOCUMENT.		DMN M.E. CONNER 19FEB2013	TE Connectivity
DIMENSIONS: mm		CHK M.D. MORRISON 19FEB2013	
TOLERANCES UNLESS OTHERWISE SPECIFIED:		APVD M.J. PHILLIPS 19FEB2013	NAME CAGE ASSEMBLY WITH LIGHT PIPES, PRESS-FIT, EMI SPRINGS, 1X4, zSFP+
0 PLC ±0.1 1 PLC ±0.1 2 PLC ±0.08 3 PLC ±0.05 4 PLC ±0.05 ANGLES ±0.05 FINISH SEE NOTES		PRODUCT SPEC 108-2364 APPLICATION SPEC 114-13120 WEIGHT -	
MATERIAL SEE NOTES		SIZE CAGE CODE DRAWING NO A100779C=2227729	RESTRICTED TO
		Customer Drawing	SCALE 4:1 SHEET 2 OF 4 REV B

LOC	DIST	REVISIONS					
GP	00	P.	LTN	DESCRIPTION	DATE	DMN	APVD
		-	-	SEE SHEET 1	-	-	-

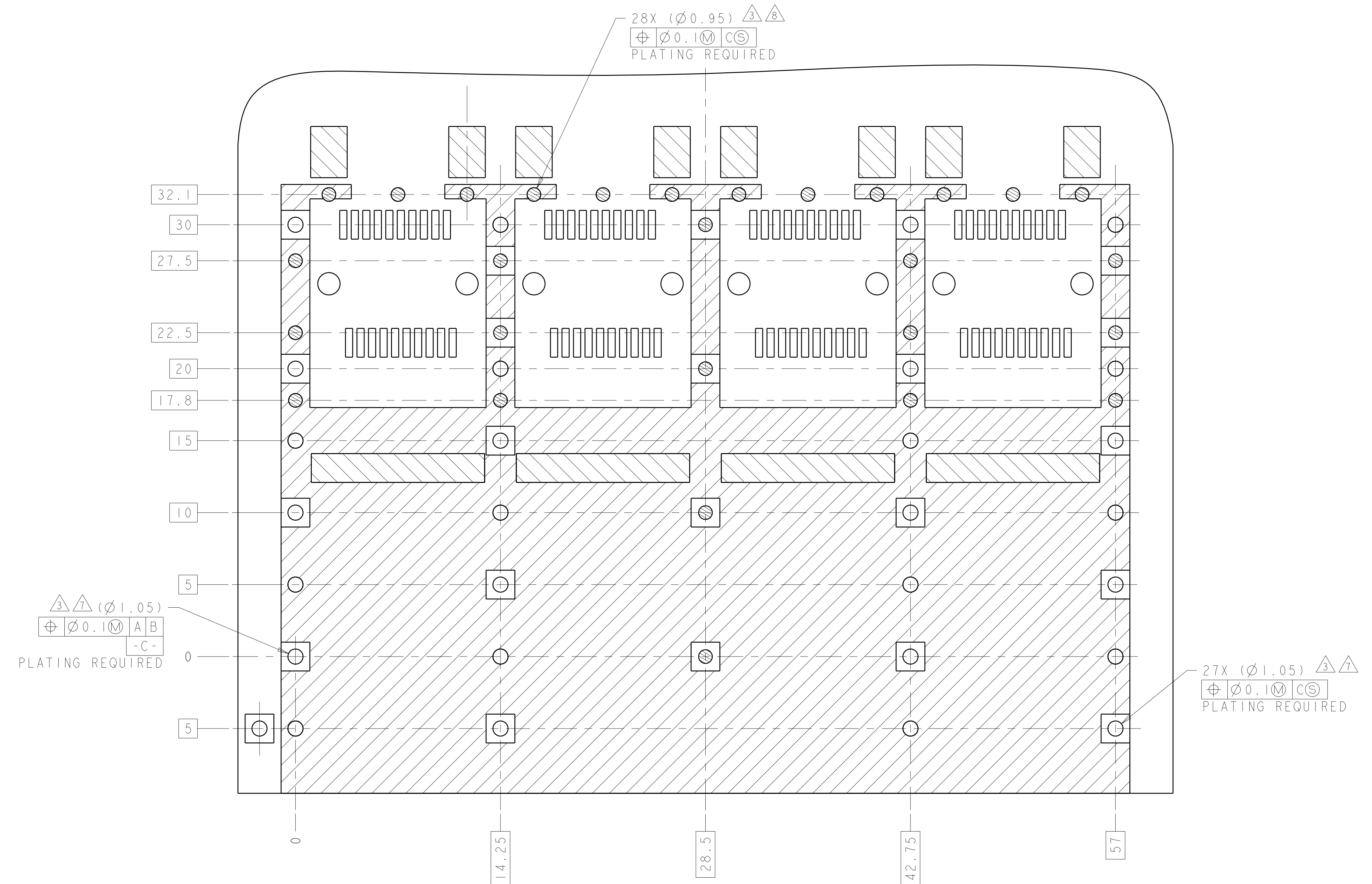


RECOMMENDED PCB CONFIGURATION WITH KEEP-OUT AREAS FOR SINGLE SIDE APPLICATION
 SCALE 6:1



THIS DRAWING IS A CONTROLLED DOCUMENT.		DMN: M.E. CONNER 19FEB2013	TE Connectivity
DIMENSIONS: mm		CHK: M.D. MORRISON 19FEB2013	
TOLERANCES UNLESS OTHERWISE SPECIFIED:		APVD: M.J. PHILLIPS 19FEB2013	NAME: CAGE ASSEMBLY WITH LIGHT PIPES, PRESS-FIT, EMI SPRINGS, 1X4, zSFP+
0 PLC ±0.1	1 PLC ±0.1	PRODUCT SPEC: 108-2364	SIZE: 114-13120
2 PLC ±0.08	3 PLC ±0.05	APPLICATION SPEC: 114-13120	RESTRICTED TO: -
4 PLC ±0.05	ANGLES ±0.05	WEIGHT: -	SCALE: 4:1
MATERIAL: SEE NOTES	FINISH: SEE NOTES	Customer Drawing	SHEET 3 OF 4

LOC	DIST	REVISIONS					
GP	00	P.	LTN	DESCRIPTION	DATE	DWN	APVD
		-		SEE SHEET 1	-	-	-



RECOMMENDED PCB CONFIGURATION WITH KEEP-OUT AREAS FOR BELLY TO BELLY APPLICATION
 SAME AS SINGLE SIDE APPLICATION, EXCEPT AS SHOWN
 SCALE 6:1

THIS DRAWING IS A CONTROLLED DOCUMENT.		DWN: M.E. CONNER 19FEB2013	TE Connectivity
DIMENSIONS: mm		CHK: M.D. MORRISON 19FEB2013	
		APVD: M.J. PHILLIPS 19FEB2013	NAME: CAGE ASSEMBLY WITH LIGHT PIPES, PRESS-FIT, EMI SPRINGS, 1X4, zSFP+
TOLERANCES UNLESS OTHERWISE SPECIFIED:		PRODUCT SPEC: 108-2364	SIZE: 114-13120
0 PLC ±0.1 2 PLC ±0.1 3 PLC ±0.08 4 PLC ±0.05 ANGLES ±0.05		APPLICATION SPEC: 114-13120	RESTRICTED TO: -
MATERIAL: SEE NOTES		WEIGHT: -	Customer Drawing
FINISH: SEE NOTES		SCALE: 4:1	SHEET 4 OF 4 REV B