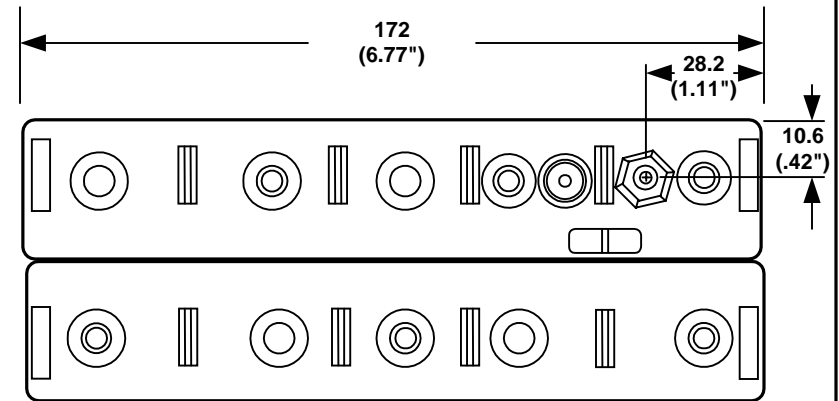
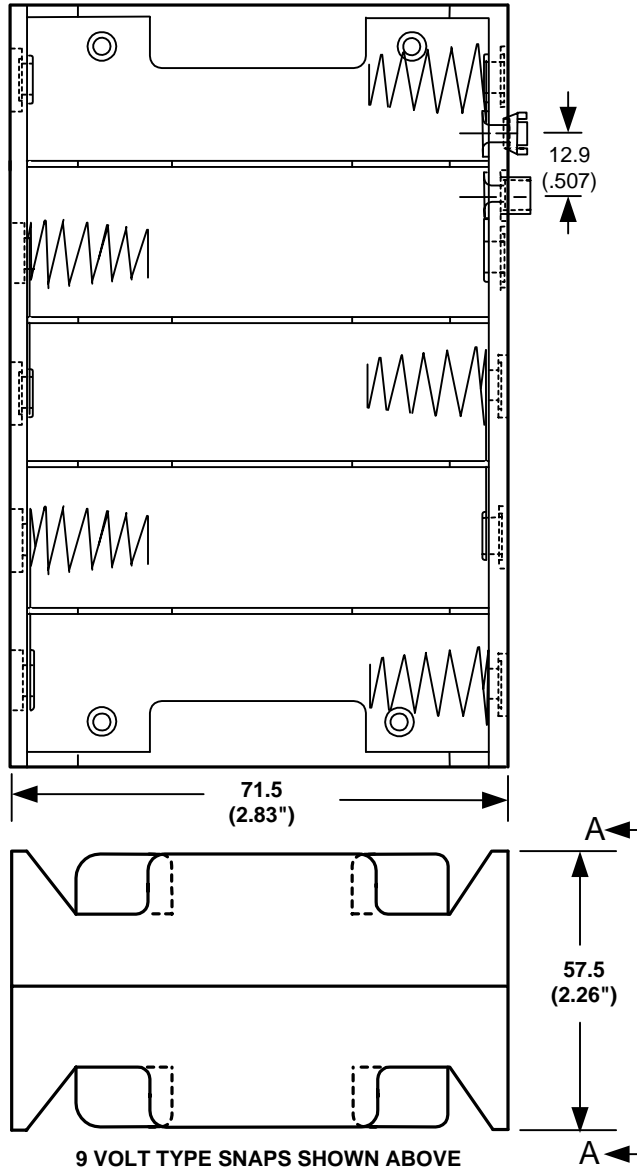


DATE	SYM	REVISION RECORD	AUTH	DR.	CK.



VIEW "AA"


Note: Dimensions in mm. (inches)

SPECIFICATIONS:

- Plastic material - polypropylene
- Springs - nickel plated spring steel
- Wire - 152.4 mm Ref.Long 26 AWG, UL1007, CSA - TR-64, 300V, 80°C.
- Rivets - Brass, nickel plated
- 9 Volts Snaps - Brass, nickel plated

ORDERING CODE BH510D

SOLDER LUGS	= L
(6") WIRE LEADS	= W
9VOLT TYPE SNAPS	= SF

TOLERANCES (EXCEPT AS NOTED)		 Memory Protection Devices, Inc. 200 Broad Hollow Road, Farmingdale, New York 11735	
DECIMAL	+ .5 (.020") - .5 (.020")	SCALE	DRAWN BY S.C.
FRACTIONAL		APPROVED BY	
ANGULAR	+ 3° - 3°	TEN "D" CELL HOLDER DATE 12/06/2000 DRAWING NUMBER BH510DSF	