

# EP-5530

## 15" All-in-one POS System EP-5530-AR50 with Res Touch EP-5530-PD50 with Pcap Touch



### Features

- 15" TFT LCD with Bezel Free Resistive or P-CAP Touch
- Fanless Operation with Intel® Celeron® J1900 Quad-core 2.0 GHz Processor
- Easy HDD Removal and Replacement Design
- Provide a Seamless and Smooth Surface and Resistant to Water, Dust, Grease, and Food Build-up
- Cost-effective Solution for Retail and Hospitality Market



### Introduction

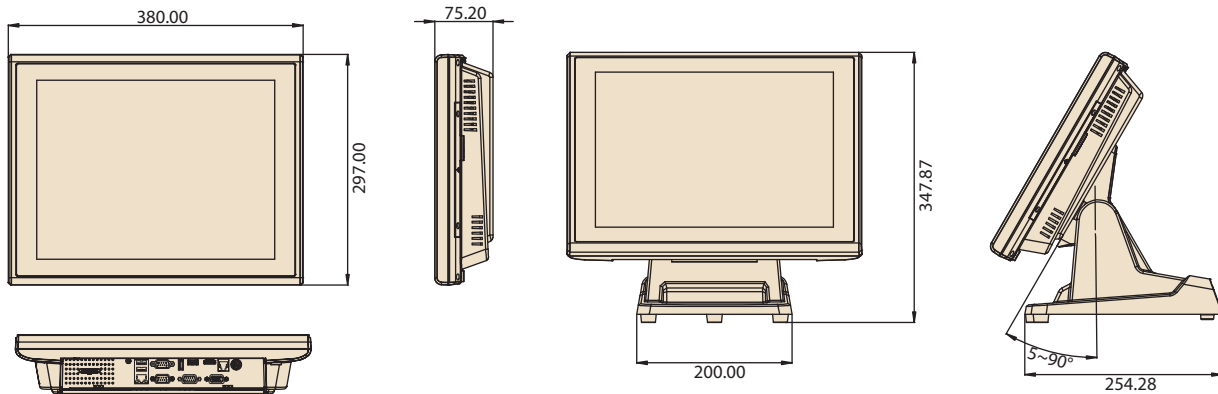
EP-5530 is the entry-level multi-purpose all-in-one Point-of-Sales system that makes it easy to get paid quickly, manage product inventory, build customer database, and repeat business with loyalty. Equipped with easy HDD removal and replacement design, EP-5530 integrates add-on key peripherals, such as Camera, RFID, IC Card Reader, MSR, Fingerprint, i-Button, VFD, 10.1"/12"/15" Second Display for diversified applications.

### Specifications

		EP-5530-AR50	EP-5530-PD50
System	CPU	Intel® Celeron® J1900 quad-core processor 2.0 GHz	
	Cache Memory	2MB 2nd level cache memory	
	System Chipset	Intel® Bay Trail quad-core SoC	
	System Memory	Maximum up to 8GB (SO-DIMM 1 x 204pin DDR3 LV 1333)	
Storage	HDD Driver	1 x 2.5" SATA HDD bay	
	SSD	mSATA	
Main Display	Resolution	15" TFT LCD / 1024 x 768	
	Brightness	250 cd/ m <sup>2</sup> (Adjustable)	
	Touch Screen	5-wire resistive touch (Default)	P-CAP touch
I/O	Serial Port	4 x External: COM1, COM2, COM5, COM6(Pole-mount VFD)	
	USB Port	4 x External USB (3 x USB 2.0, 1 x USB 3.0)	
	Output	1 x VGA port 1 x HDMI port	
	Audio	1 x Line-out & Mic-in	
	Ethernet	1 x RJ-45 Gigabit Ethernet (10/100/1000)	
	Cash Drawer	1 x RJ-11 (12V, 1 connector control 2 cash drawer)	
Modular Option	Second Display	<ul style="list-style-type: none"> <li>▪ 10.1", 12", 15" TFT LCD (Touch/Non-Touch)</li> <li>▪ VFD Display</li> </ul>	
	MSR	MSR only	
	MSR (2-in-1)	MSR + RFID/IC Card Reader/i-Button/Fingerprint/Wifi	
Mounting Option	Stand Base	Counter Top Base, adjustable View Angle	
	Wall Mount	VESA Mount Bracket	
	Pole Mount	Swing-arm Mounts, adjustable angle VESA	
Mechanical & Environmental	Case Material	Plastic Housing	
	Color Option	Black, White	
	Power Supply	60W 12Vdc power adapter	
	Operation Temperature	0 – 40° C operating	
	Dimensions & Weight (D x W x H)	Metric: 272 x 380 x 329 mm / 6.8 Kg US: 10.71" x 14.96" x 12.95" / 14.99 lbs	
	IP65	IP65 sealed front panel with touch screen	
	EMI / Safety	FCC, CE, RoHS, CCC	
Software	OS Support	Windows Embedded Industry Pro Retail 8.1, Windows Embedded 7 Pro, POSReady 7 and Linux Windows Embedded 10	

## Dimensions

Unit: mm



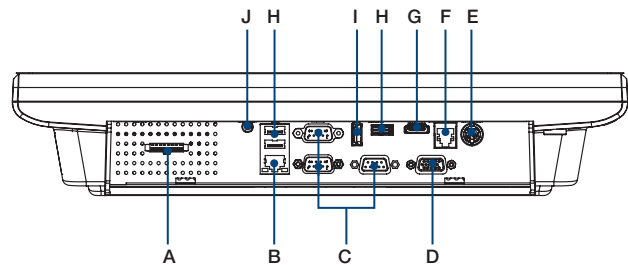
## Ordering Information

Part No.	Description
ADP-EP-5530-AR5AX	EPOS 15" Baytrail, Resistive T/S, 2G DDR3L, Black ODM, w/o OS & HDD
ADP-EP-5530-PD5AX	EPOS 15" Baytrail, PCAP, 2G DDR3L, Black ODM, w/o OS & HDD

## Peripherals for EP-5530

Part No.	Description
ADP-MR-1001-05000	1MR V1 MSR PS2 EP5530 Black
ADP-MR-1003-05000	1MR V1 MSR USB EP5530 Black
ADP-MR-2020-05000	2MR V1 RFID EP5530 Black
ADP-MR-2051-05000	2MR V1 MSR+Finger Printer PS2 EP5530 Black
ADP-MR-2054-05000	2MR V1 MSR+Finger USB_ Encryption EP5530 Black
ADP-MR-2081-05000	2MR V1 MSR+IC Card Reader PS2 EP5530 Black
ADP-BS-1004-00000	SCAN A-50M/U EP5 Black
ADP-BS-1104-00000	SCAN A-52M/U EP5 Black
ADP-BS-1404-00000	SCAN Z-5252SR/U EP5 Black

## Fully-Integrated I/O



- A. COM 6/ 12V output
- B. LAN
- C. COM
- D. VGA
- E. 12V<sub>DC</sub> Power Input
- F. Cash Drawer
- G. HDMI
- H. USB 2.0
- I. USB 3.0
- J. Line-Out & Mic-In

## Second Display for EP-5530

Part No.	Description
ADP-VD-1010-50080	Rear mount_VFD WP2029C EP5 Black
ADP-VD-1370-50080	Rear mount_VFD LD901C EP5 Black (Alphanumeric and Compound (2-Bytes) Words)
ADP-VD-3010-34080	Pole mount_VFD WP2029C Aluminum Pole 30cm EP5 BK
ADP-VD-3010-44080	Pole mount_VFD WP2029C Plastic Pole 30CM EP5 BK
ADP-2D-0128-53000	2nd Display 10.1" VGA EP5530 Plastic Pole 22CM Glass Black
ADP-2D-0228-12000	2nd Display 12" PLBF1 VGA EP5530 Aluminum Pole 15CM Glass Black
ADP-2D-0628-12000	2nd Display 15" PLBF1 VGA Aluminum Pole 15CM Glass Black