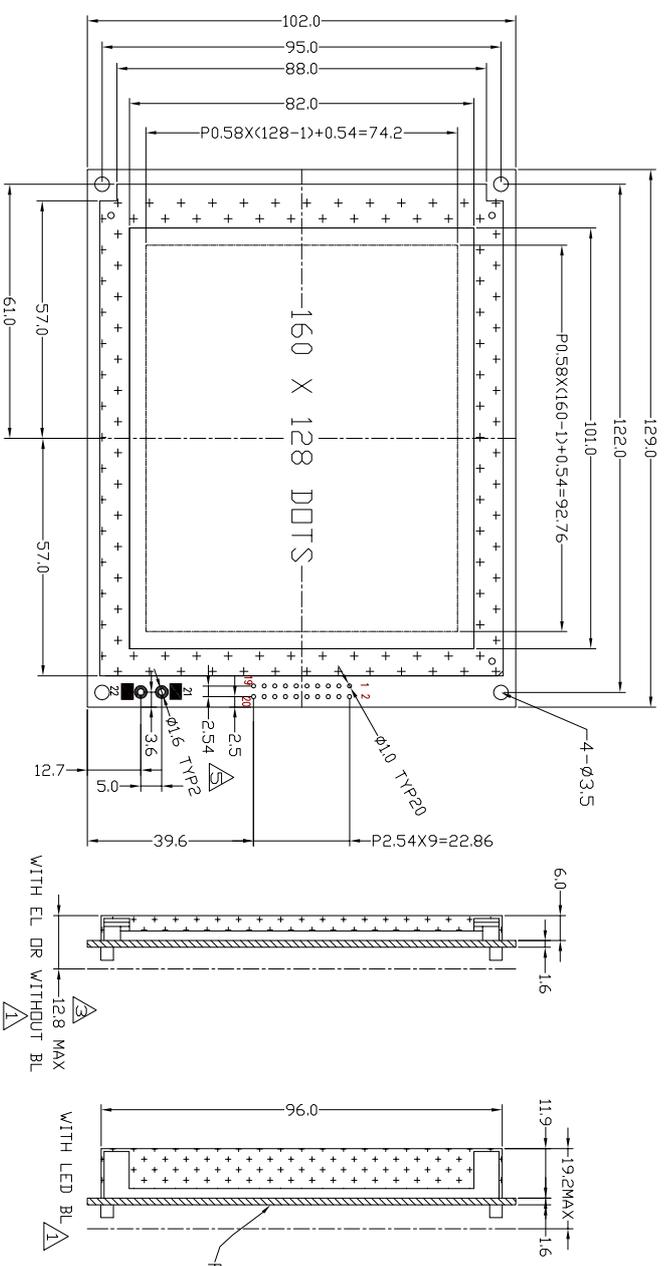
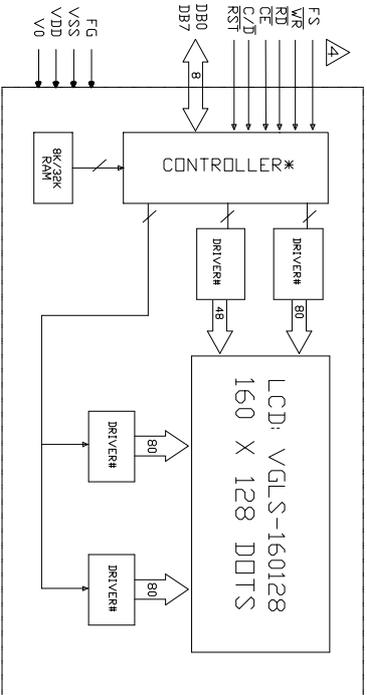


THE DRAWING ON THIS PRINT AND INFORMATION THEREON ARE PROPRIETARY TO VARRITRONIX AND SHALL NOT BE USED IN WHOLE OR IN PART WITHOUT WRITTEN PERMISSION OF VARRITRONIX.



1	FG	V	S	V	C	D	V	A	D	V	J	V	E	E	W	R	R	D	C	E	C	/	D	H	A	L	T	R	E	S	E	T	D	O	D	1	D	2	D	3	D	4	D	5	D	6	D	7	N	C	L	E	D	+	L	E	D
---	----	---	---	---	---	---	---	---	---	---	---	---	---	---	---	---	---	---	---	---	---	---	---	---	---	---	---	---	---	---	---	---	---	---	---	---	---	---	---	---	---	---	---	---	---	---	---	---	---	---	---	---	---	---	---	---	---



NOTES:
 "◇" SPECIAL CHARACTERISTIC
 "+" SAFETY CHARACTERISTIC
 "()" REFERENCE ONLY
 "△" CRITICAL DIMENSION

ISSUE	AMENDMENT	DATE
△1	UPDATE DRAWING	02.05.24
△2	UPDATE DRAWING	02.05.29
△3	REDRAW UPDATE DIMENSION MODIFY DIMENSION ADD THE DIMENSIONS	03.04.29
△4	UPDATE TABLE INFORMATION	09.11.11
△5	UPDATE DIMENSION AND DRAWING	10.06.03

TITLE: JCM Module Specification	
PROJECT NO.: MGLS160128	
CUSTOMER REF: IN	
TOLERANCE UNLESS OTHERWISE SPECIFIED:	XX ±0.3 XXX ±0.1 ANGULAR ±1°
DIMENSIONS IN MM	
MATERIAL: N/A	FINISH: N/A
SCALE: DO NOT DR SCALE	OVERALL THK: N/A
THIRD ANGLE PROJECTION	
DRAWN: HU FANG LIANG	DATE: 10.06.03
CHECKED: HU ZHONG LIN	
APPROVED: WONG MAN CHAM	
ITEM NO.: MGLS160128-XX	
DESCRIPTION: MGLS160128	
FILE NO.: MGLS160128-XX R5 REV: 5	
SHEET 1	OF 1



VARRITRONIX LIMITED

*T16963C OR EQUIVALENT #SA3086 OR EQUIVALENT