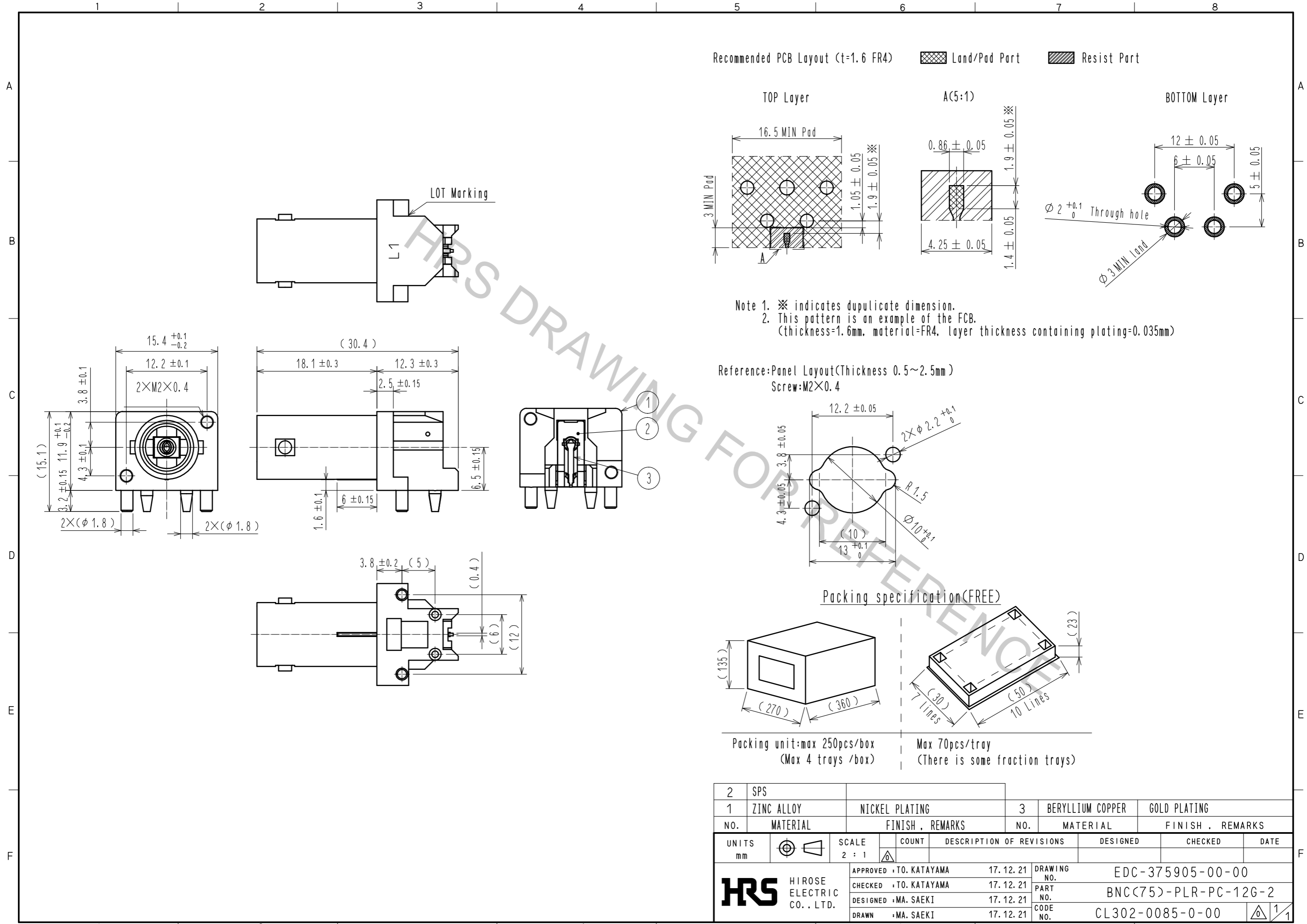


Aug.1.2018 Copyright 2018 HIROSE ELECTRIC CO., LTD. All Rights Reserved.
 In case that the application demands a high level of reliability, such as automotive,
 please contact a company representative for further information.



2	SPS				
1	ZINC ALLOY	NICKEL PLATING	3	BERYLLIUM COPPER	GOLD PLATING
NO.	MATERIAL	FINISH, REMARKS	NO.	MATERIAL	FINISH, REMARKS
UNITS		SCALE	COUNT	DESCRIPTION OF REVISIONS	
mm		2 : 1		DESIGNED	CHECKED
HRS HIROSE ELECTRIC CO., LTD.		APPROVED : TO. KATAYAMA	17.12.21	DRAWING NO. EDC-375905-00-00	
		CHECKED : TO. KATAYAMA	17.12.21	PART NO. BNC(75)-PLR-PC-12G-2	
		DESIGNED : MA. SAEKI	17.12.21	CODE NO. CL302-0085-0-00	
		DRAWN : MA. SAEKI	17.12.21	1/1	