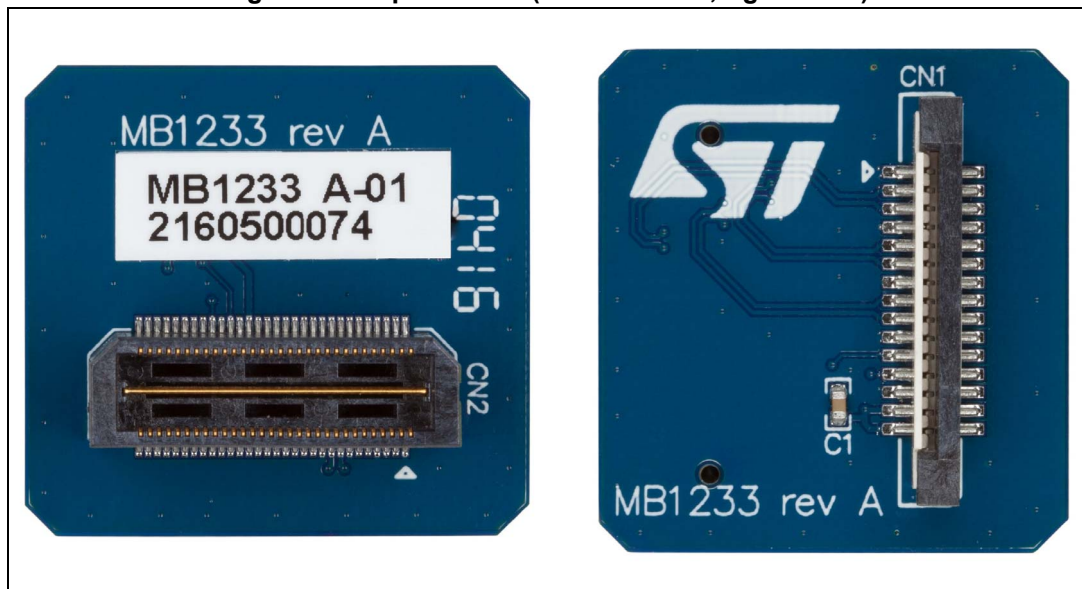


### Introduction

The DSI to LCD adapter board provides a flexible connector from the microcontroller motherboard (Samtec high speed connector QTH-030) to the standard display connector (TE 1-1734248). The DSI to LCD adapter board can be used on STM32 evaluation boards or STM32 Discovery boards to connect the display.

The B-LCDAD-RPI1 adapter board features up to two lanes of MIPI/DSI data and I2C interface support, and enables the use of extended displays with standard DSI interface on STM32 EVAL/DK board family.

**Figure 1. Adapter board (left: backside, right: front)**



1. Pictures are not contractual.

# Contents

**1      Ordering information ..... 5**

**2      Hardware layout and configuration ..... 5**

**3      Motherboard connector ..... 7**

**4      DSI to LCD connector ..... 8**

**Appendix A Schematics ..... 9**

**Revision history ..... 10**

## List of tables

Table 1.	Ordering information . . . . .	5
Table 2.	Motherboard connector CN2 . . . . .	7
Table 3.	LCD connector CN1 . . . . .	8
Table 4.	Document revision history . . . . .	10

## List of figures

Figure 1.	Adapter board (left: backside, right: front) . . . . .	1
Figure 2.	Block diagram . . . . .	5
Figure 3.	Board layout . . . . .	6
Figure 4.	Board schematics . . . . .	9

# 1 Ordering information

To order the B-LCDAD-RPI1 adapter board, refer to [Table 1](#):

**Table 1. Ordering information**

Order code	Product
B-LCDAD-RPI1	B-LCDAD-RPI1 adapter board

# 2 Hardware layout and configuration

The board is designed for easy use of the DSI to LCD display.

The block diagram shown in [Figure 2](#) illustrates the DSI and I2C control connection on the DSI to LCD adapter board. [Figure 3](#) indicates how to locate the components on the evaluation board (both front and back side are shown).

**Figure 2. Block diagram**

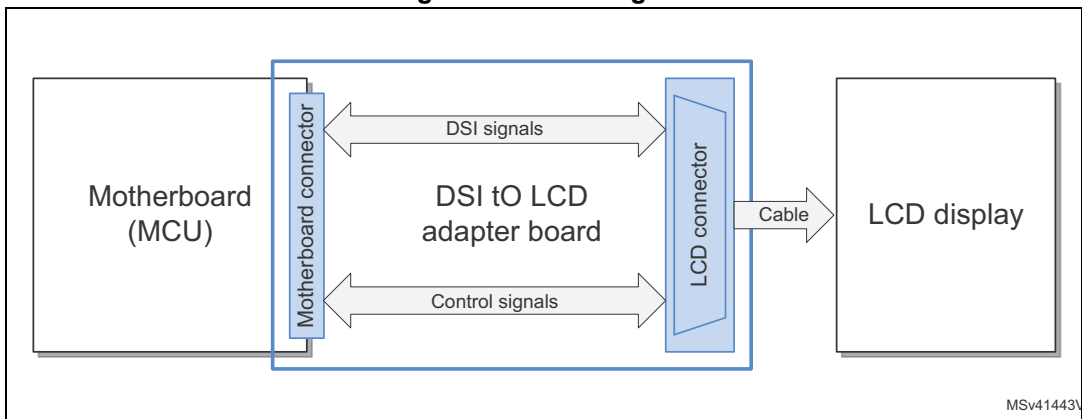
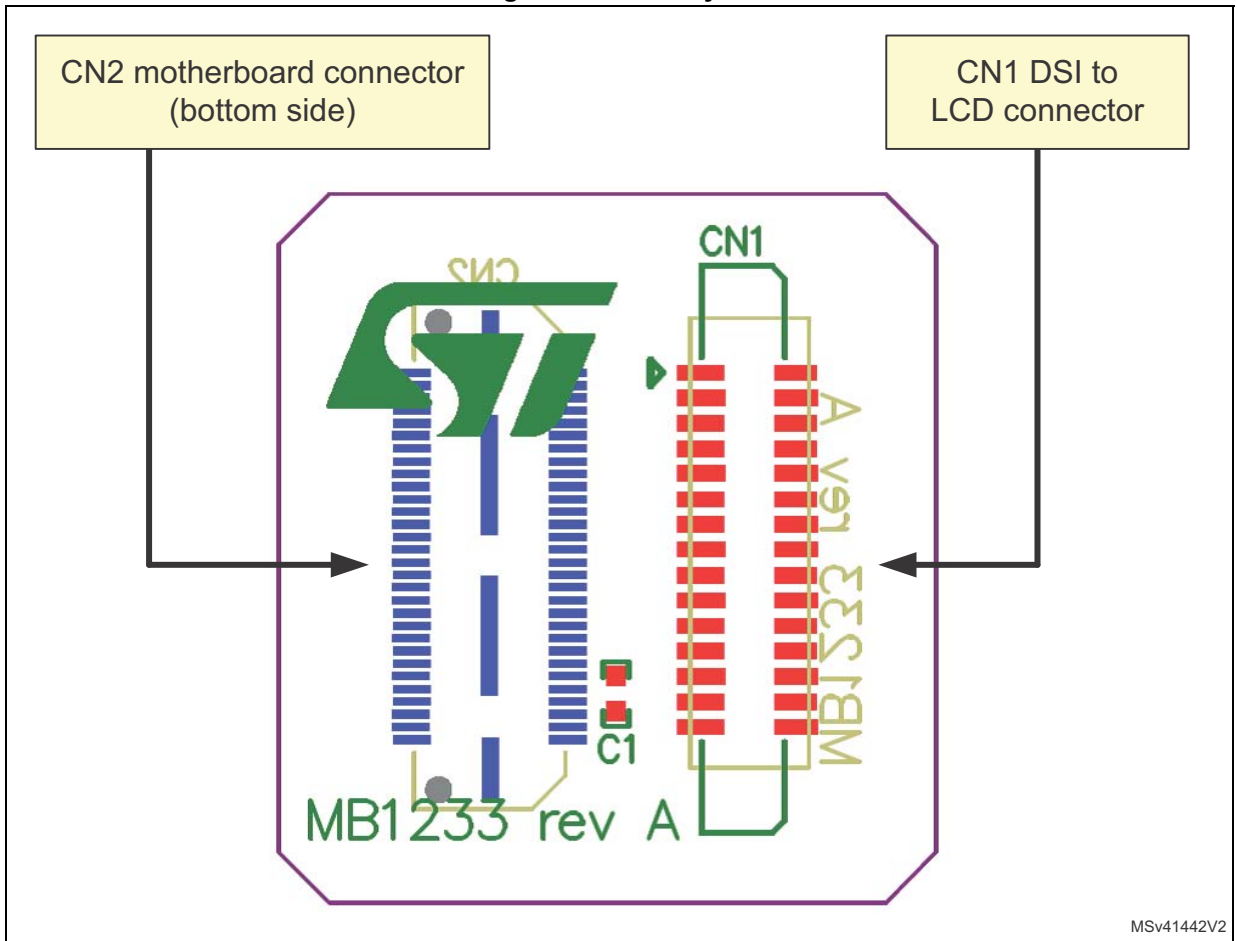


Figure 3. Board layout



### 3 Motherboard connector

A male high speed connector CN2 on bottom side is used to implement DSI to LCD adapter board on the motherboard. Two-lanes DSI signals and control signals (I2C bus) are on this connector. The pinout is detailed in [Table 2](#).

**Table 2. Motherboard connector CN2**

Pin number (odd)	Description	Interface	Pin number (even)	Description	Interface
1	GND	-	2	-	-
3	DSI_CK_P	DSI	4	-	-
5	DSI_CK_N	DSI	6	-	-
7	GND	-	8	-	-
9	DSI_D0_P	DSI	10	-	-
11	DSI_D0_N	DSI	12	-	-
13	GND	-	14	-	-
15	DSI_D1_P	DSI	16	-	-
17	DSI_D1_N	DSI	18	-	-
19	GND	-	20	-	-
21	-	-	22	-	-
23	-	-	24	-	-
25	-	-	26	-	-
27	-	-	28	-	-
29	-	-	30	-	-
31	-	-	32	-	-
33	-	-	34	-	-
35	-	-	36	+3.3V	-
37	-	-	38	-	-
39	-	-	40	I2C_SDA	I2C
41	-	-	42	-	-
43	-	-	44	I2C_SCL	I2C
45	-	-	46	-	-
47	-	-	48	-	-
49	-	-	50	-	-
51	-	-	52	-	-
53	-	-	54	-	-
55	-	-	56	-	-
57	-	-	58	-	-
59	-	-	60	-	-

## 4 DSI to LCD connector

A standard DSI to LCD connector CN1 is implemented on DSI to LCD adapter board. The pinout is detailed in [Table 3](#).

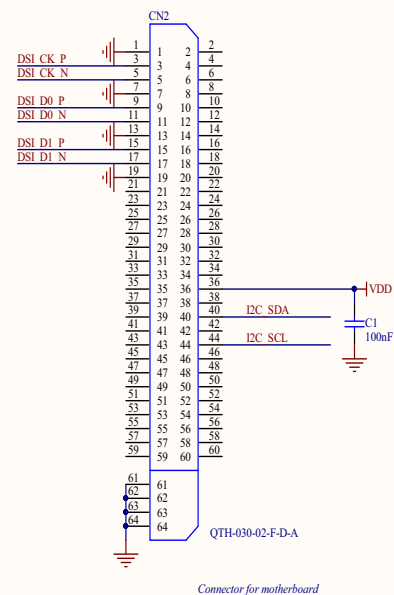
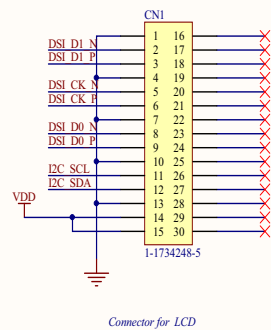
**Table 3. LCD connector CN1**

Pin number	Description	Pin number	Description
1	GND	16	-
2	DSI_D1_N	17	-
3	DSI_D1_P	18	-
4	GND	19	-
5	DSI_CK_N	20	-
6	DSI_CK_P	21	-
7	GND	22	-
8	DSI_D0_N	23	-
9	DSI_D0_P	24	-
10	GND	25	-
11	I2C_SCL	26	-
12	I2C_SDA	27	-
13	GND	28	-
14	+3.3V	29	-
15	+3.3V	30	-



# Appendix A Schematics

Figure 4. Board schematics



Title: Overview		
Project: DSI to LCD Adapter		
Size: A4	Reference: MB1233	Revision: A.2
Date: 10/12/2016	Sheet: 1 of 1	

## Revision history

**Table 4. Document revision history**

<b>Date</b>	<b>Revision</b>	<b>Changes</b>
30-May-2016	1	Initial release.
15-Dec-2016	2	Changed LCD reference in every paragraph of the document.

**IMPORTANT NOTICE – PLEASE READ CAREFULLY**

STMicroelectronics NV and its subsidiaries ("ST") reserve the right to make changes, corrections, enhancements, modifications, and improvements to ST products and/or to this document at any time without notice. Purchasers should obtain the latest relevant information on ST products before placing orders. ST products are sold pursuant to ST's terms and conditions of sale in place at the time of order acknowledgement.

Purchasers are solely responsible for the choice, selection, and use of ST products and ST assumes no liability for application assistance or the design of Purchasers' products.

No license, express or implied, to any intellectual property right is granted by ST herein.

Resale of ST products with provisions different from the information set forth herein shall void any warranty granted by ST for such product.

ST and the ST logo are trademarks of ST. All other product or service names are the property of their respective owners.

Information in this document supersedes and replaces information previously supplied in any prior versions of this document.

© 2016 STMicroelectronics – All rights reserved

