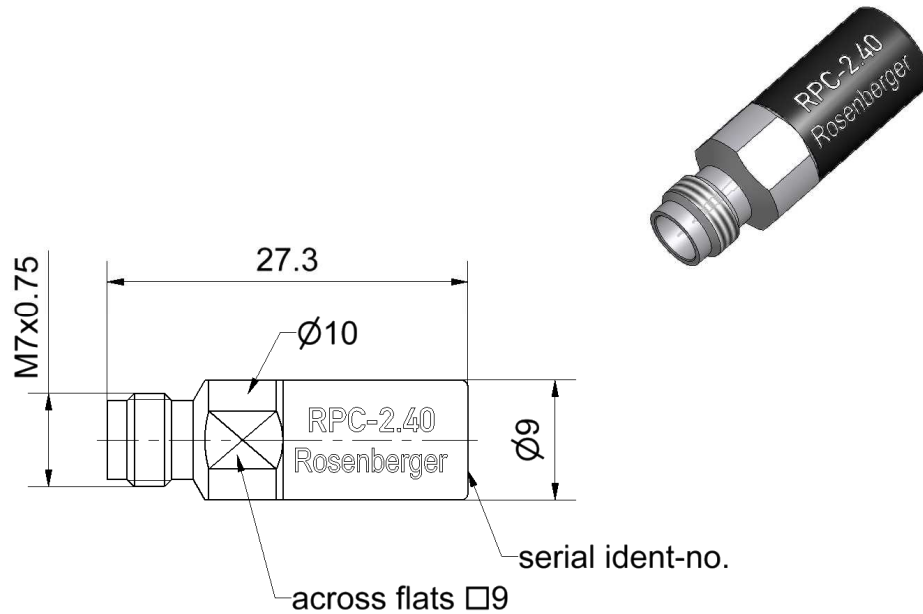


# Technical Data Sheet

# Rosenberger

RPC-2.40 Calibration Load Jack

09K150-C10S3



All dimensions are in mm; tolerances according to ISO 2768 m-H

## Interface

According to IEC 61169-40  
Mechanically compatible with RPC-1.85

## Documents

Application note AN001 "Calibration Services"

## Material and plating

### Connector parts

Center conductor  
Outer conductor  
Dielectric  
Substrate

### Material

CuBe  
Stainless steel  
PS  
Al<sub>2</sub>O<sub>3</sub>

### Plating

Gold, min. 1.27 µm, over nickel  
Passivated

RPC-2.40

Calibration Load  
Jack

**09K150-C10S3**

**Electrical data**

Frequency range	DC to 50 GHz
Return loss	≥ 36 dB, DC to 4 GHz ≥ 30 dB, 4 GHz to 26.5 GHz ≥ 22 dB, 26.5 GHz to 50 GHz
DC Resistance	50 Ω ± 0.25 Ω
Power handling	≤ 0.5 W

**Mechanical data**

Mating cycles	≥ 500
Maximum torque	1.65 Nm
Recommended torque	0.90 Nm
Gauge	0.00 mm to 0.03 mm

**General standard definitions**

For proper operation the vector network analyzer (VNA) needs a model describing the electrical behaviour of this calibration standard. The different models, units, and terms used will depend on the VNA type and they will have to be entered into the VNA. All values are based on typical geometry and plating.

Offset $Z_0$ / Impedance / $Z_0$	50 Ω
Offset Delay	0.0000 ps
Length (electrical) / Offset Length	0.000 mm
Offset Loss	0.00 GΩ/s
Loss	0.0000 dB/√GHz

**Environmental data**

Operating temperature range <sup>1</sup>	+20 °C to +26 °C
Rated temperature range of use <sup>2</sup>	0 °C to +50 °C
Storage temperature range	- 40 °C to +85 °C

RoHS compliant

<sup>1</sup> Temperature range over which these specification are valid.

<sup>2</sup> This range is underneath and above the operating temperature range, within the calibration load is fully functional and could be used without damage.

# Technical Data Sheet

# Rosenberger

RPC-2.40 Calibration Load Jack

09K150-C10S3

## Declaration of calibration options

### Factory Calibration

Standard delivery for this calibration standard includes a Factory Calibration. The Calibration Certificate issued reports individual calibration results, traceable to national / international standards. Model based standard definitions are reported in an Agilent/Keysight, Rohde & Schwarz and Anritsu compatible VNA format.

### Accredited Calibration

Not available.

*For further, more detailed information see application note AN001 on the Rosenberger homepage.*

## Calibration interval

Recommendation 12 months

## Packing

Standard 1 pce in box  
Weight 7.6 g/pce

Dieses Dokument ist urheberrechtlich geschützt • This document is protected by copyright • Rosenberger Hochfrequenztechnik GmbH & Co. KG

RF\_35/09.14/6.2

Draft	Date	Approved	Date	Rev.	Engineering change number	Name	Date
Kerstin Herzog	26.09.05	Markus Müller	12.09.16	e00	16-1390	Marion Striegler	12.09.16

Rosenberger Hochfrequenztechnik GmbH & Co. KG P.O.Box 1260 D-84526 Tittmoning Germany <a href="http://www.rosenberger.de">www.rosenberger.de</a>	Tel. : +49 8684 18-0 Email : <a href="mailto:info@rosenberger.de">info@rosenberger.de</a>	Page 3 / 3
--	--	---------------