

**AMP**AMP INCORPORATED  
HARRISBURG, PA 17105AMP\* EXTRACTION TOOL 844134-1  
(FOR COMMERCIAL SOCKET  
.062 CONTACTS)

REDUCED FOR PACKAGING

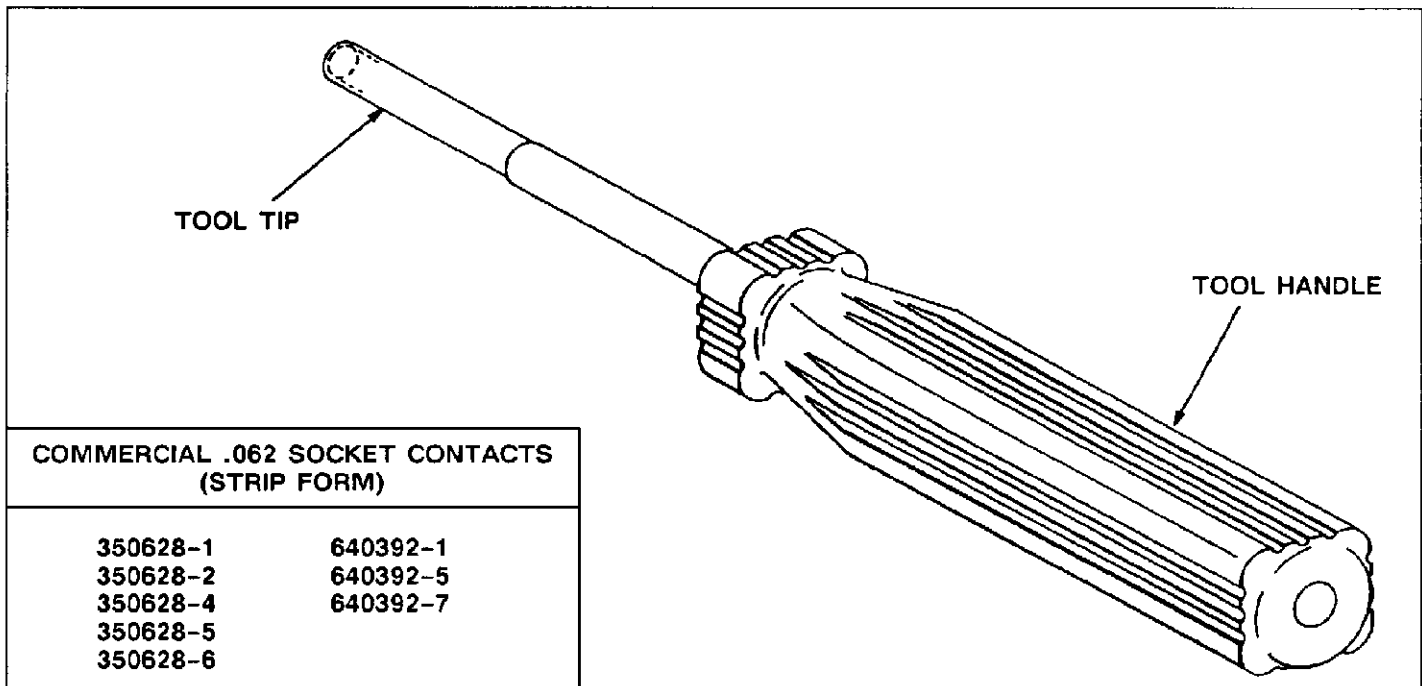
**IS 9501**CUSTOMER HOTLINE  
1 800 722-1111RELEASED  
11-12-90

Fig. 1

## 1. INTRODUCTION

AMP Extraction Tool 844134-1, shown in Figure 1, is designed to remove AMP Commercial .062 Socket Contacts (Strip Form) from the housings designed for those contacts. The socket contacts are listed by part number in Figure 1. Read these instructions thoroughly before attempting to remove any contacts from the housings. To remove any Commercial .062 Pin Contacts (Strip Form), by Extraction Tool 455822-2, see Instruction Sheet (IS) 9570.

**NOTE**

*All dimensions on this sheet are in inches.*

## 2. DESCRIPTION

The tool consists of a metal tip and a plastic handle. The tip is inserted into the mating face of the housing, depressing the locking lances of the crimped contact. This

action allows the contact to be extracted from the wire-entry face of the housing.

## 3. SOCKET CONTACT EXTRACTION PROCEDURE

The steps which follow are recommended to extract a crimped .062 socket contact from a housing. Proceed as follows:

1. Orient the plug housing as shown in Figure 2.
2. Push socket forward in cavity as far as it will go.

**NOTE**

*If difficulty is encountered, AMP Insertion Tool 91002-1 may be used to assist in pushing the socket forward.*

3. Insert tool tip into socket contact cavity so that tip depresses the locking lances of the contact.
4. Remove contact by grasping the wire and pulling contact out the wire-entry face.

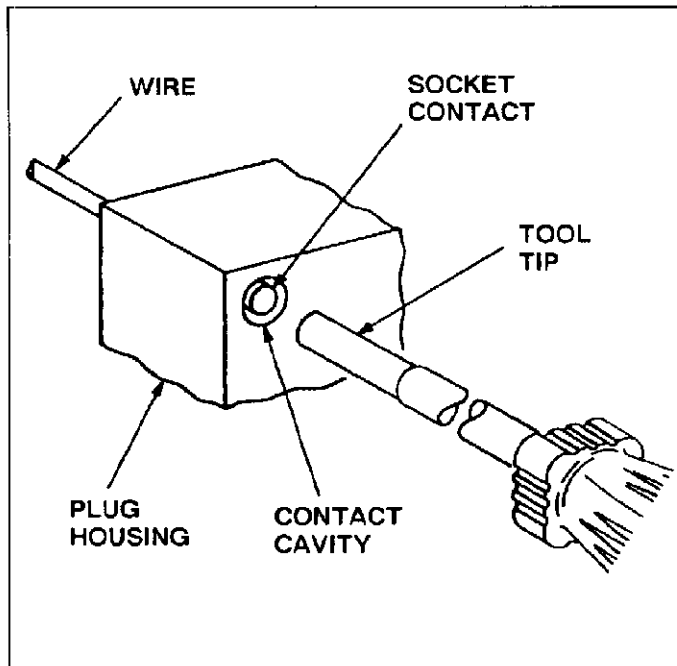


Fig. 2

**NOTE**

Before re-inserting contact into housing, reset locking lances to their original positions. Consult AMP Customer Print covering .062 socket removed (or consult AMP Product Engineer) for correct setting of locking lances.

**4. TOOL MAINTENANCE**

To ensure proper operation, the tool should conform to the dimensions provided in Figure 3. It is recommended that the tool be inspected immediately on its arrival and at regularly scheduled intervals. The tool is not repairable and should be replaced when worn or damaged.

It is recommended that the tool be stored in a clean, dry place and cleaned with a soft, lint-free cloth.

Additional tools can be purchased from:

AMP Incorporated  
Customer Service (38-35)  
P.O. Box 3608  
Harrisburg, PA 17105-3608

or a wholly owned subsidiary of AMP Incorporated.

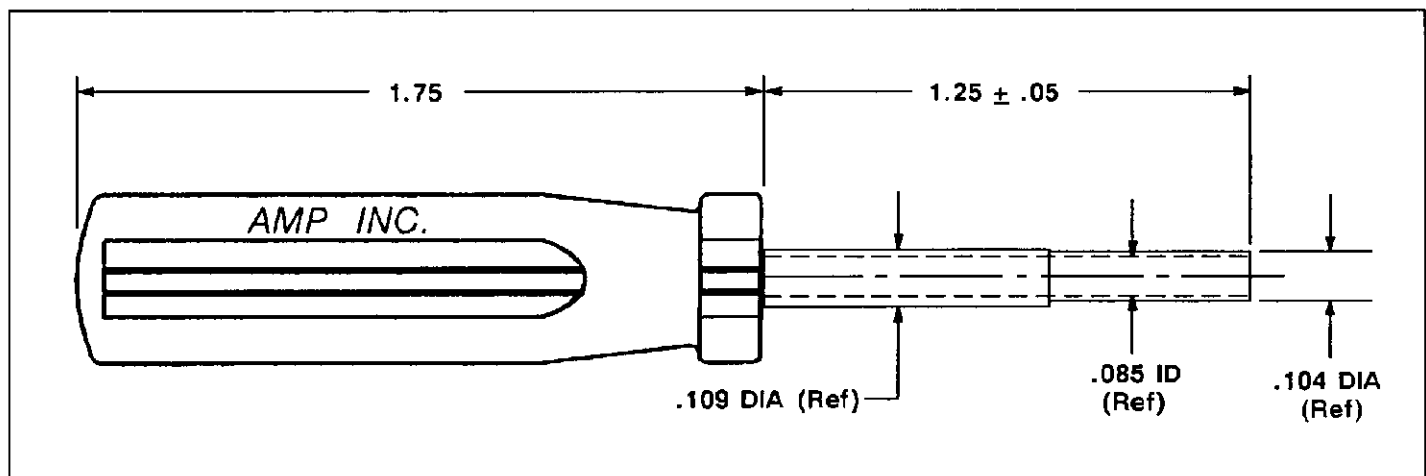


Fig. 3