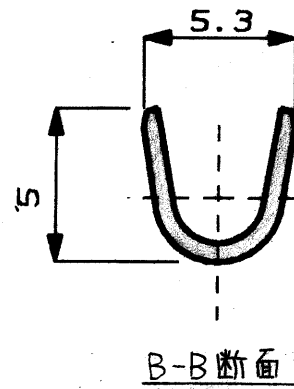
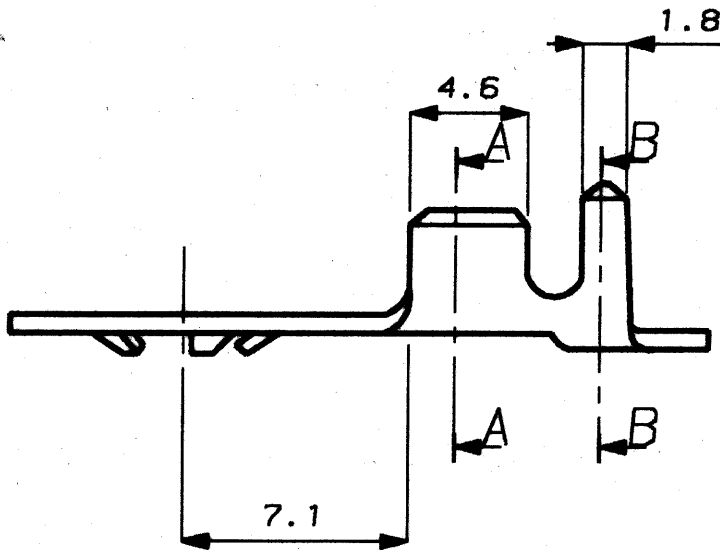
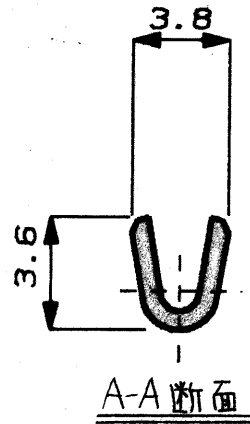
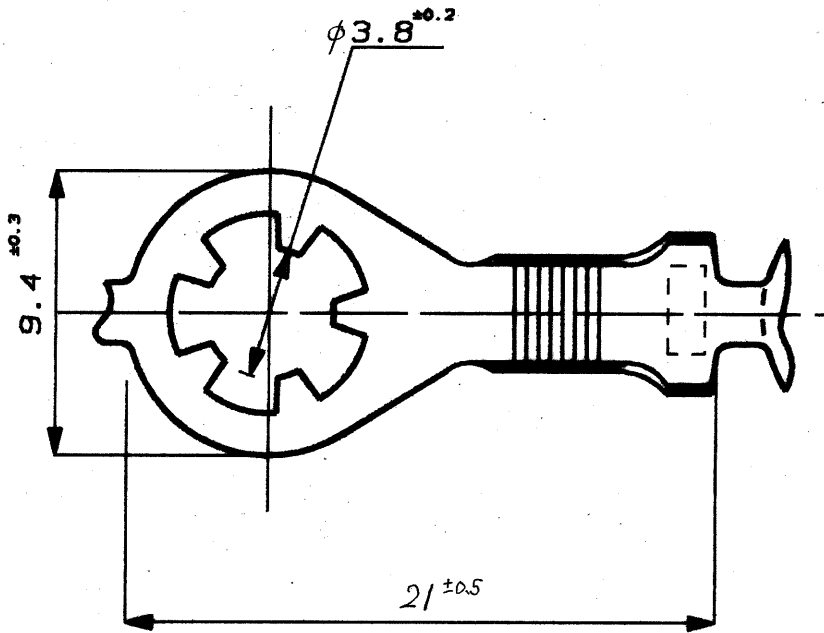


NUMBER

C-173637



METRIC



DIMENSIONS IN MILLIMETERS. DO NOT SCALE PRINT

© 1985 BY AMP (Japan) LTD.
 ALL RIGHTS RESERVED.
 AMP PRODUCTS COVERED BY PATENTS
 AND OR PATENTS PENDING

AMP
 AMP (JAPAN), LTD.
 Tokyo, Japan

一般公差 ±0.4	把合電線断面径 AWG #18-#14	被覆外径 φ2.67-φ3.68
	材料 冷間圧延鋼	仕上げ 錫めっき

PRINT DIST	O RELEASED J04-7927	DR	CHK	DATE	SCALE	SIZE	LOC	NUMBER	REV.	SHEET
	LTR	DR	CHK	DATE	4-1	A4	J	C-173637	0	1-1
DR. <i>H. Betani</i> 4/12/85	DE. <i>H. Betani</i> 4/12/85	NAME		RING TERMINAL						
CHK. <i>M. Igarashi</i> 4/12/85	APP. <i>M. Igarashi</i> 4/12/85	NAME		CUSTOMER DRAWING						