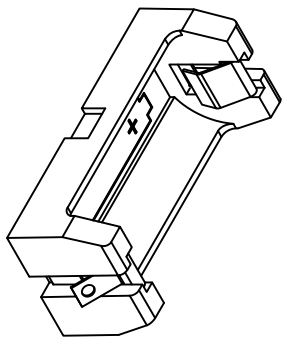
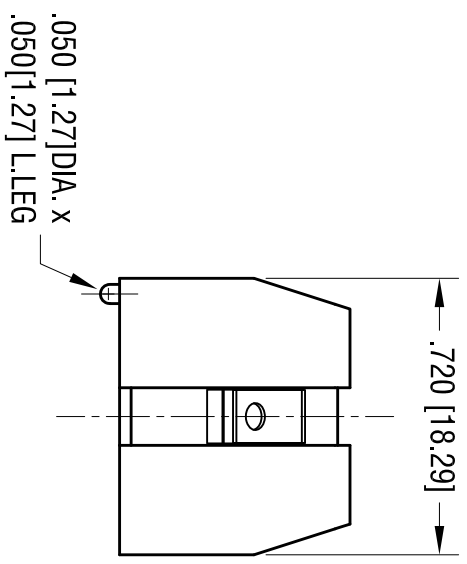
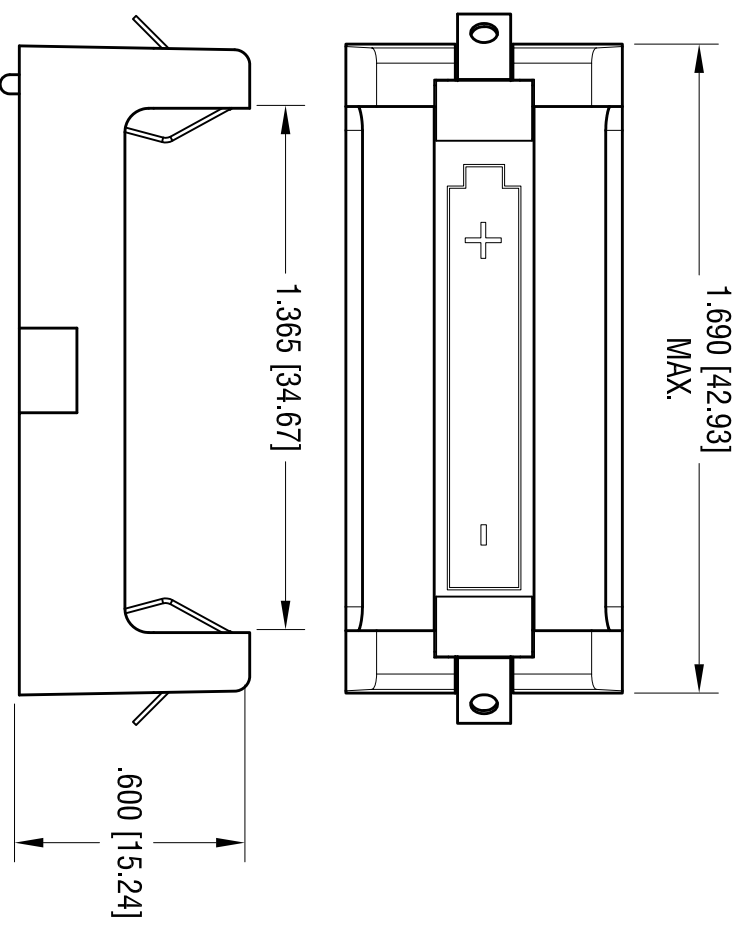


DATE	DESCRIPTION	REV.



ACTUAL SIZE

- NOTE:**
1. BASE:
MATERIAL: HEAT RESISTANCE NYLON
STAINYL 46 OR EQUIVALENT
 2. CONTACT:
MATERIAL: .012 [0.30] THK STAINLESS STEEL
FINISH: TIN NICKEL PLATE.

KEYSTONE ELECTRONICS CORP.			
www.keystec.com • ASTORIA, N.Y. 11105-2017 • Tel (718) 956-8900			
PART NAME			
SOLDER LUG 2/3A BATTERY HOLDER			
MATERIAL			
AS NOTED			
FINISH			
AS NOTED			
TOLERANCES	INCH	[MM]	CODE
DECIMAL	± .010	[± 0.25]	C
ANGULAR	± 1°		
UNLESS OTHERWISE SPECIFIED			
DRN BY	DATE	App'D	DWG NO.
NT	7.11.16	LN	1119
	SCALE		
	2X		

THIS DOCUMENT IS THE PROPERTY OF KEYSTONE ELECTRONICS CORP. AND SHALL NOT BE REPRODUCED, DISTRIBUTED OR USED AS A BASIS FOR MANUFACTURE WITHOUT PRIOR WRITTEN PERMISSION FROM KEYSTONE ELECTRONICS CORP.