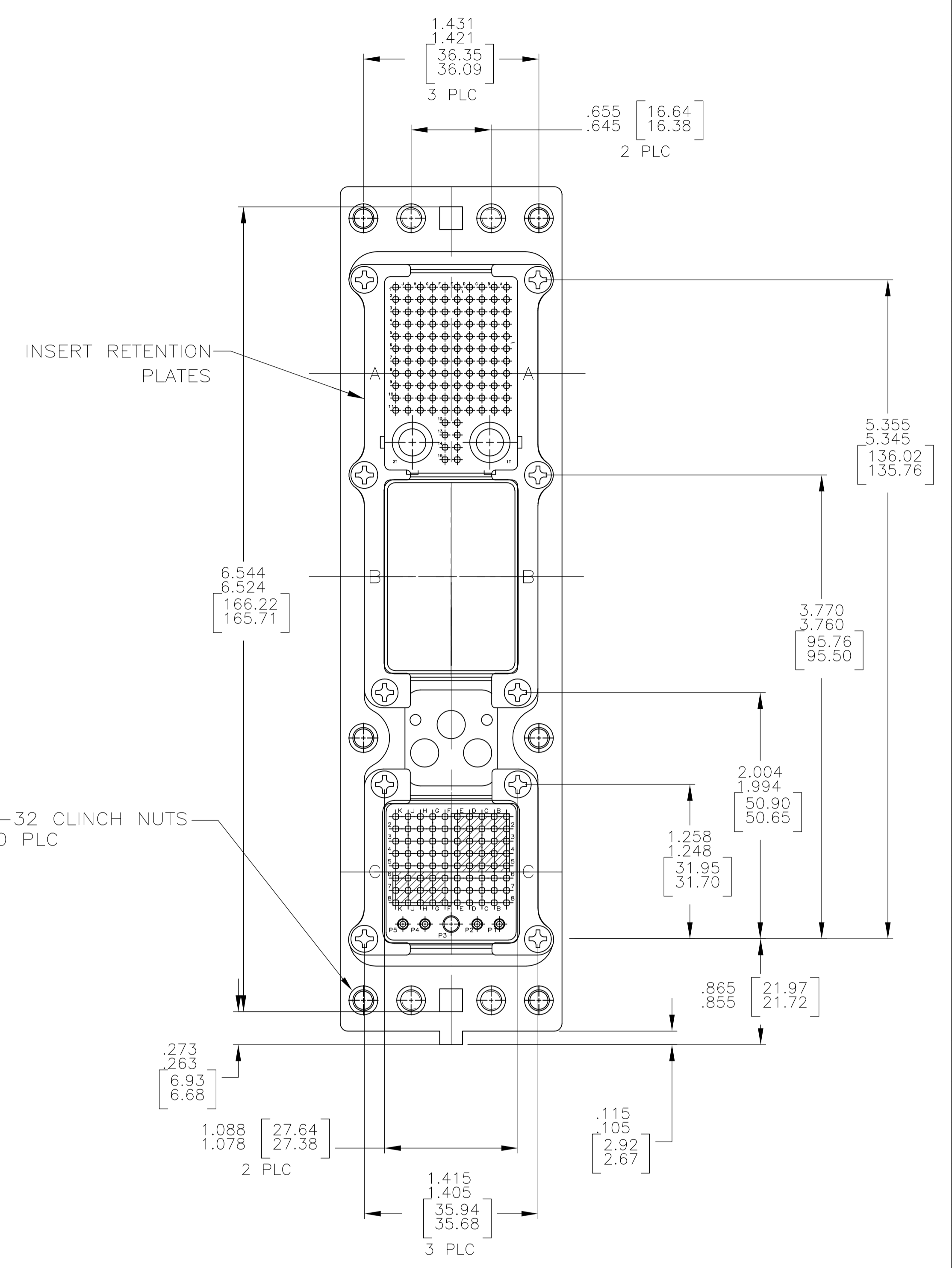
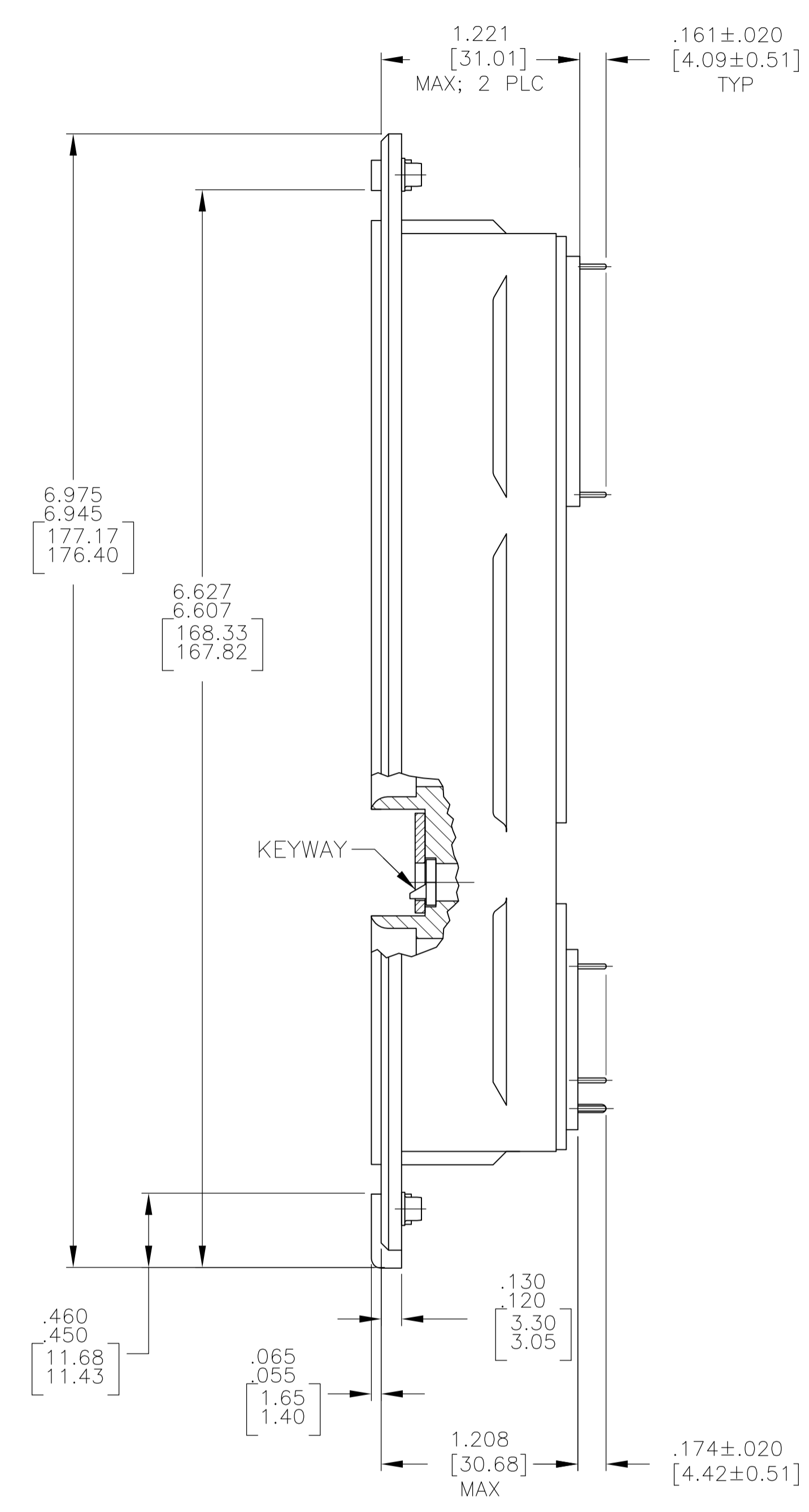
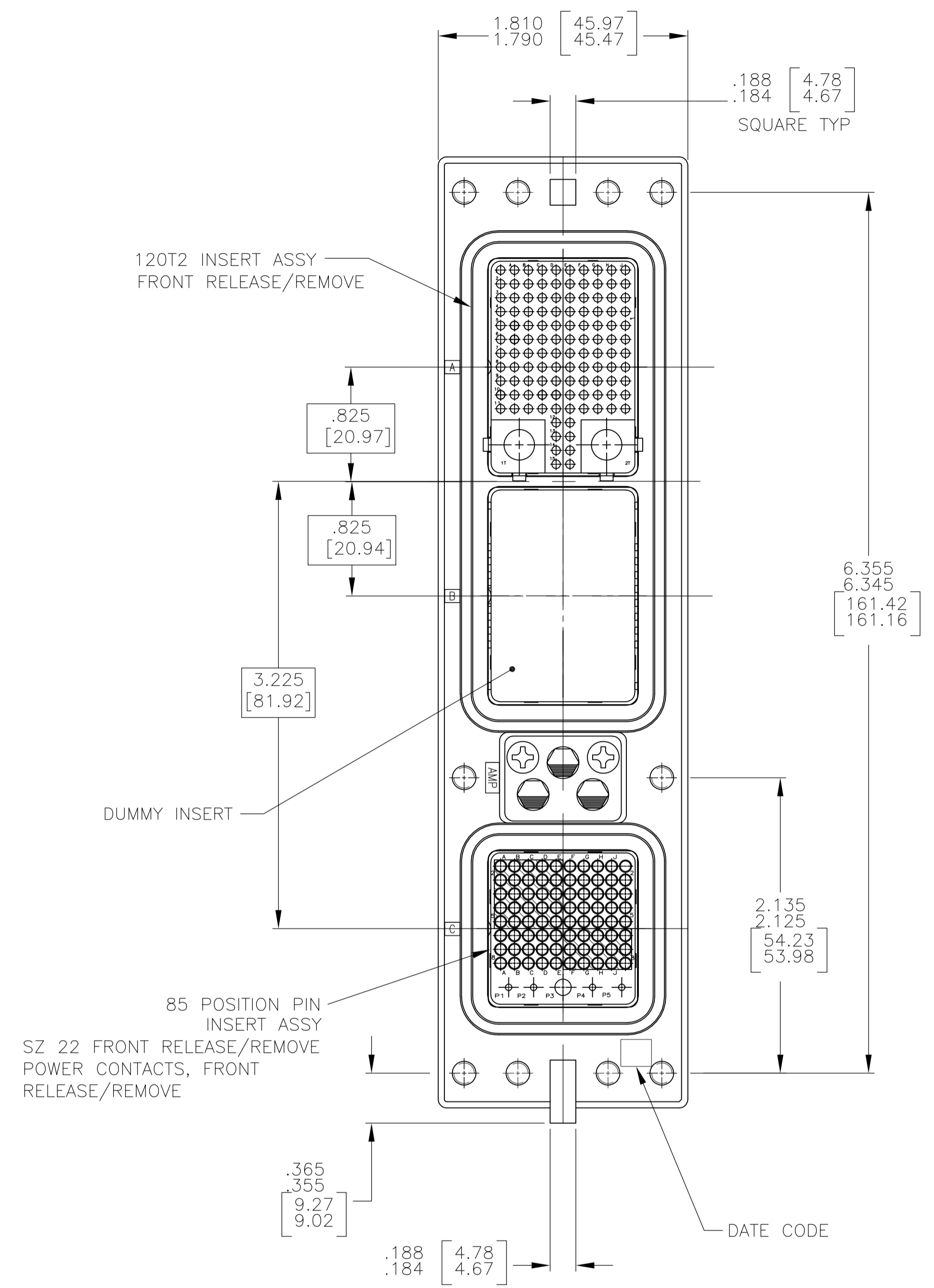


| LOC | | DIST | | REVISIONS | | | |
|-----|-------------|-------------|--------|-----------|------|--|--|
| F | LTR | DESCRIPTION | DATE | DN | APVD | | |
| E | REV PER ECO | 14-004890 | 4-2-14 | CT | WB | | |

- CONNECTOR DIMENSIONS ARE PER ARINC 600 SPECIFICATION.
- CONNECTOR IS SUPPLIED WITH CONTACTS AS LISTED IN TABLE.
- KEYING SHOWN IN POSITION "01" FOR ILLUSTRATION ONLY. CONNECTORS SHIPPED WITH KEYING INSTALLED IN POSITION PER TABLE. FOR POSITION "00" KEYING HARDWARE SHIPPED UNASSEMBLED.



| COMPONENT | MATERIAL | FINISH |
|-----------------------------------|--|---------------------------------------|
| SHELL | DIE CAST ALUMINUM PER ASTM-B-85 | ELECTROLESS NICKEL PER MIL-C-26074 |
| INSERT RETENTION PLATES | ALUMINUM ALLOY PER ASTM-B-209 | ELECTROLESS NICKEL PER MIL-C-26074 |
| FLAT HEAD SCREWS | STAINLESS STEEL | PASSIVATED |
| POLARIZING KEYS | ZINC ALLOY PER ASTM-B-86 | - |
| 120T2 & 85 INSERTS | THERMOSET OR THERMOPLASTIC PPS PER MIL-M-24519 | - |
| POLARIZING KEY RETAINING PLATE | ALUMINUM ALLOY PER ASTM-B-209 | BLUE ANODIZED PER MIL-A-8625 |
| DUMMY INSERT | ALUMINUM ALLOY PER ASTM-B-85 | ELECTROLESS NICKEL PER MIL-C-26074 |

| | | |
|--------------------|---|----------------|
| 76 | SAME AS -1 EXCEPT 1218687-3 SIZE 8 CONTACT ASSY, QTY 1, PACKAGED SEPARATELY AND DIFFERENT KEYING | 1996253-3 |
| 130 | SAME AS -1 EXCEPT 1218687-3 SIZE 8 CONTACT ASSY, QTY 1, PACKAGED SEPARATELY | 1996253-2 |
| 130 | MODULE A 211431-2 (SIZE 22 POSTED; QTY=118) 1663588-1 (FILLER PLUG IN 2T CAVITY) MODULE B (NONE) MODULE C 211431-2 (SIZE 22 POSTED; QTY=80) 1-448138-5 (SIZE 20 POSTED; QTY=4) 2-448139-1 (SIZE 16 POSTED; QTY=1) | 1996253-1 |
| KEYING POSITION | CONTACTS INCLUDED AND INSTALLED | PART NUMBER |

THIS DRAWING IS A CONTROLLED DOCUMENT.

DIN P YEAGER 20AUG07
CHK K THACKSTON 21AUG07
APVD K THACKSTON 21AUG07

TE Connectivity

NAME RCPT ASSY, SIZE 2, ARINC 600
(120T2/DUMMY/85)

SIZE A1 CASE CODE 00779 DRAWING NO. 1996253

RESTRICTED TO

MATERIAL SEE TABLE FINISH SEE TABLE WEIGHT --

CUSTOMER DRAWING SCALE 3:2 SHEET 1 OF 1 REV E