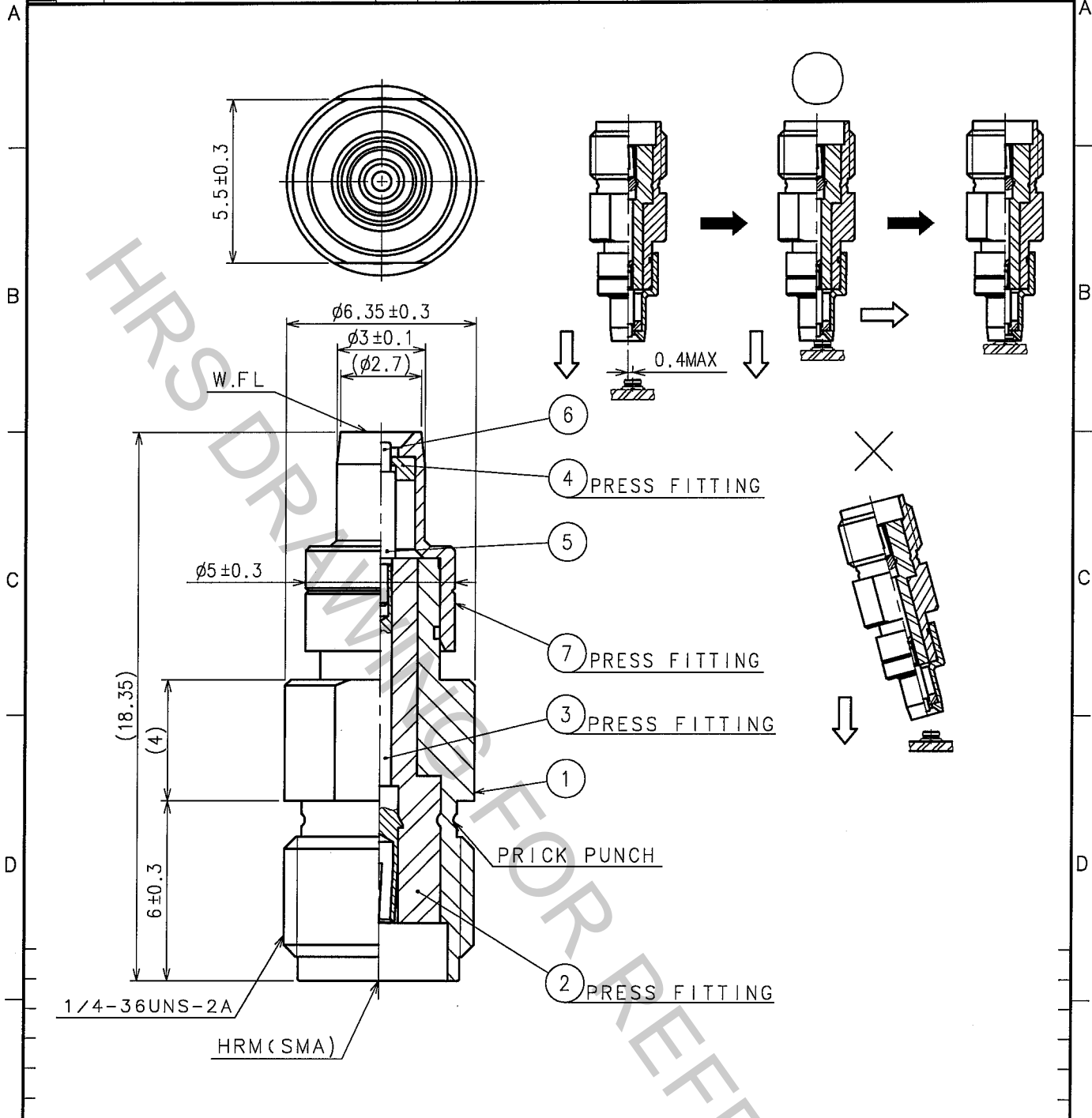


1				2				3				4			
COUNT	DESCRIPTION OF REVISIONS	BY	CHKD	DATE	COUNT	DESCRIPTION OF REVISIONS	BY	CHKD	DATE	COUNT	DESCRIPTION OF REVISIONS	BY	CHKD	DATE	
△				..	△				..	△				..	
△				..	△				..	△				..	
△				..	△				..	△				..	



4	PTFE		7	STAINLESS STEEL	GOLD PLATING
3	BERYLLIUM COPPER	GOLD PLATING	6	BERYLLIUM COPPER	GOLD PLATING(FREE CONTACT)
2	PTFE		5	BRASS	GOLD PLATING
1	BRASS	NICKEL PLATING			
NO.	MATERIAL	FINISH, REMARKS	NO.	MATERIAL	FINISH, REMARKS

CODE NO. (OLD) CL395-3649-5		DRAWN N.NINOMIYA	DESIGNED N.NINOMIYA	CHECKED M.YAMANE	APPROVED I.MITANI	RELEASED
ROHS COMPLIANT		05.05.27	05.05.27	05.05.27	05.05.27	

 SCALE 5 : 1 UNITS mm	DRAWING NO. EDC4-310456	PART NO. HRMJ-W.FLP-ST3
	 HIROSE ELECTRIC CO.,LTD.	CODE NO. CL311-0408-9

TO
RF

